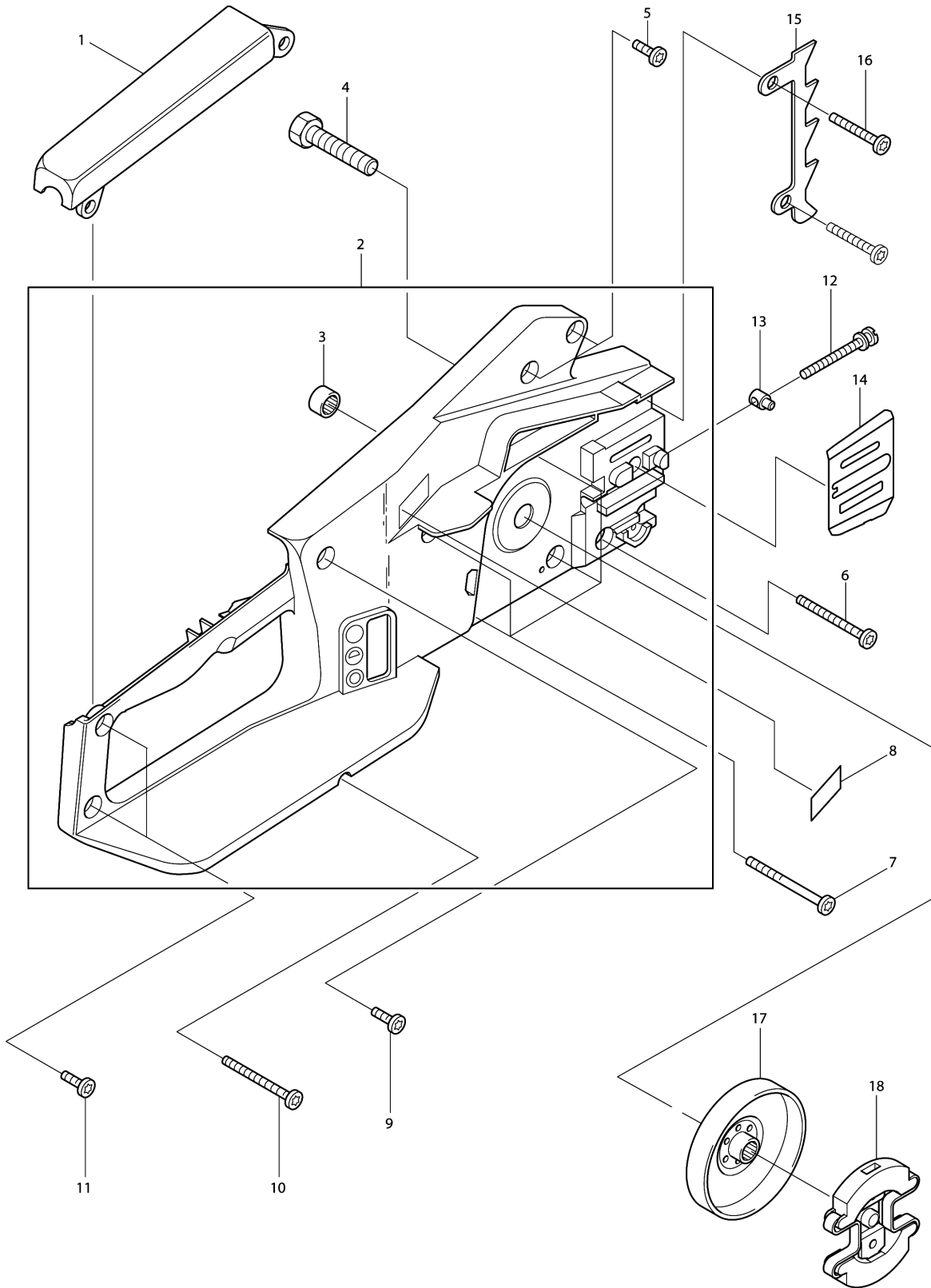
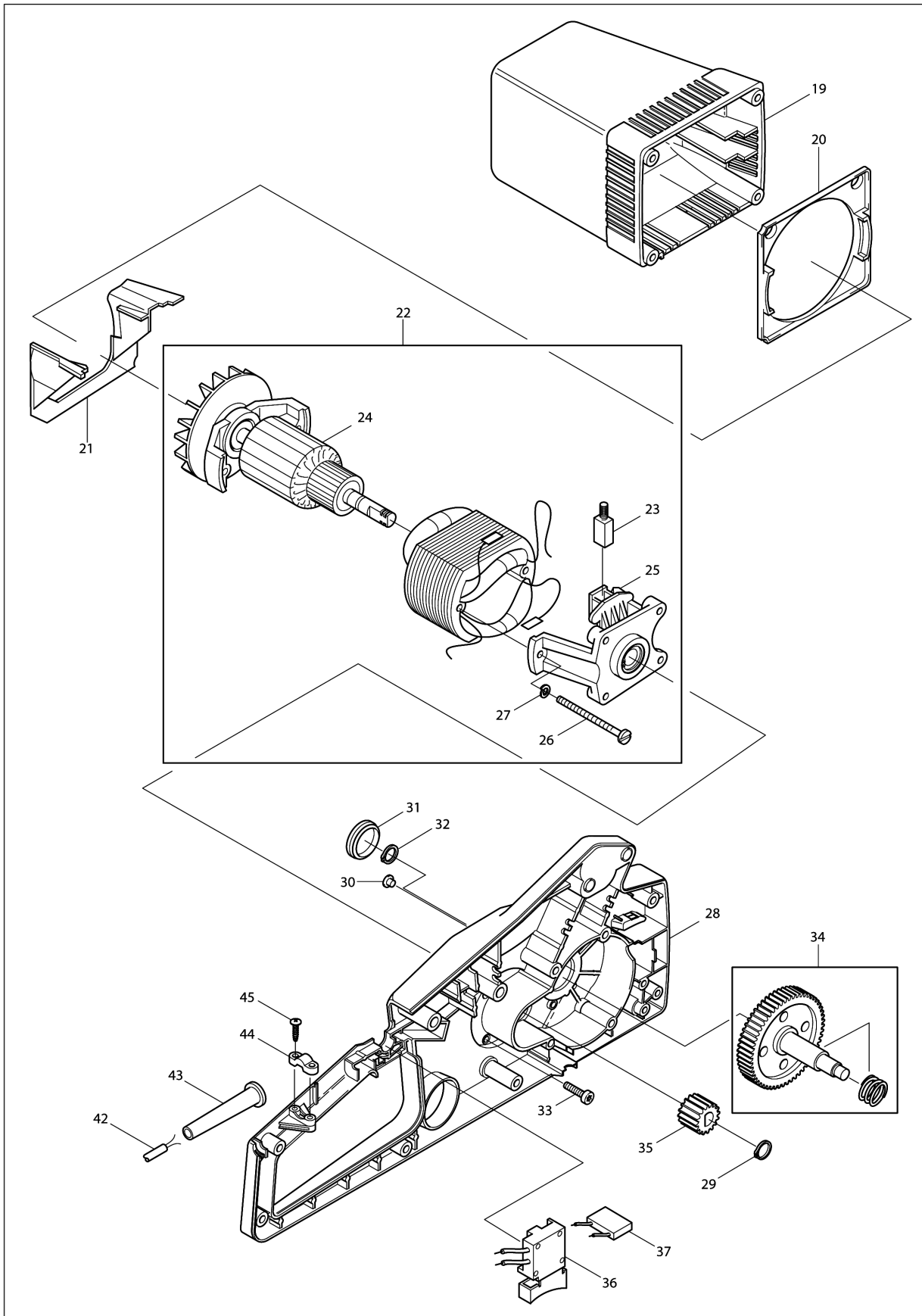


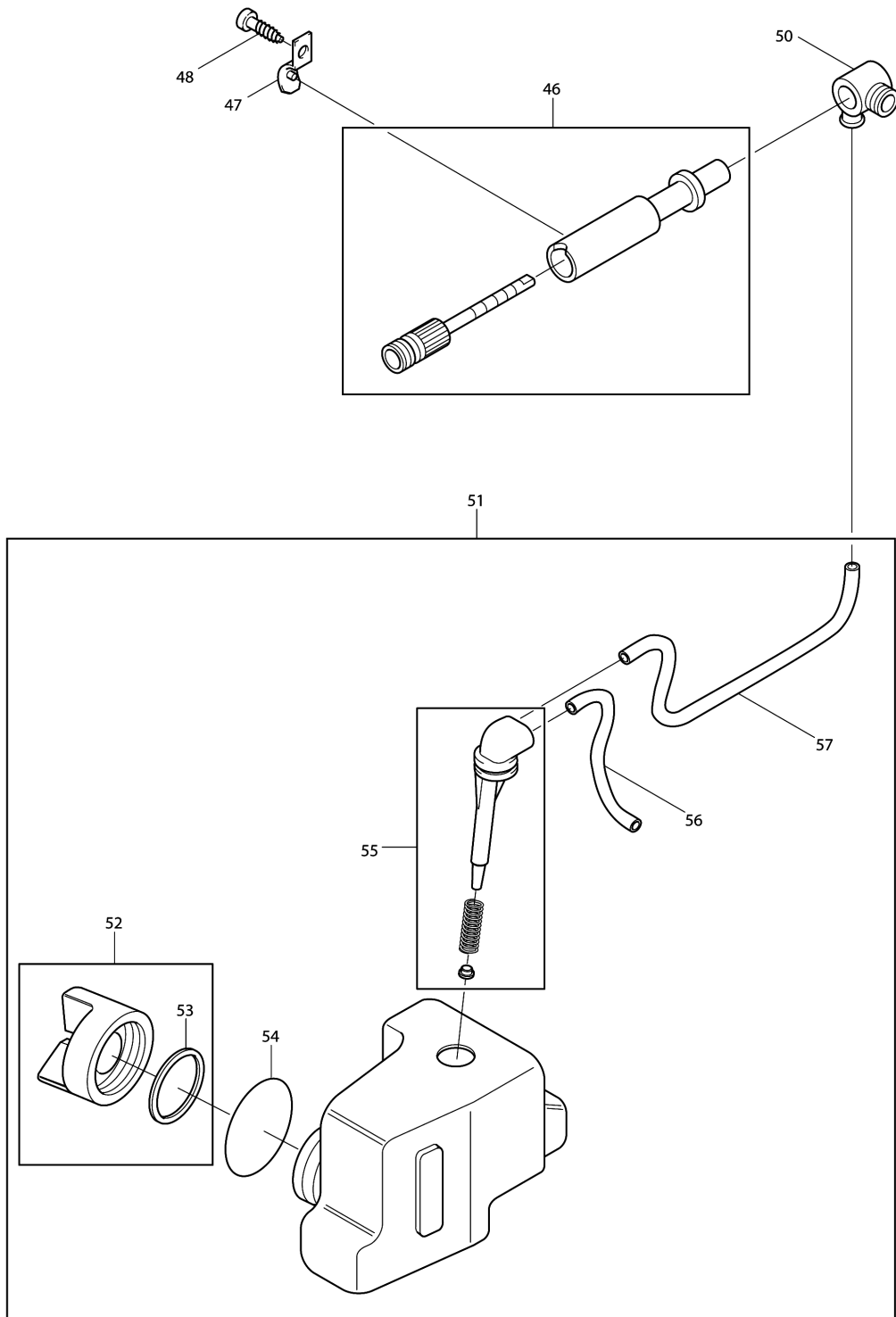
Model No.DES400 CHAIN SAW



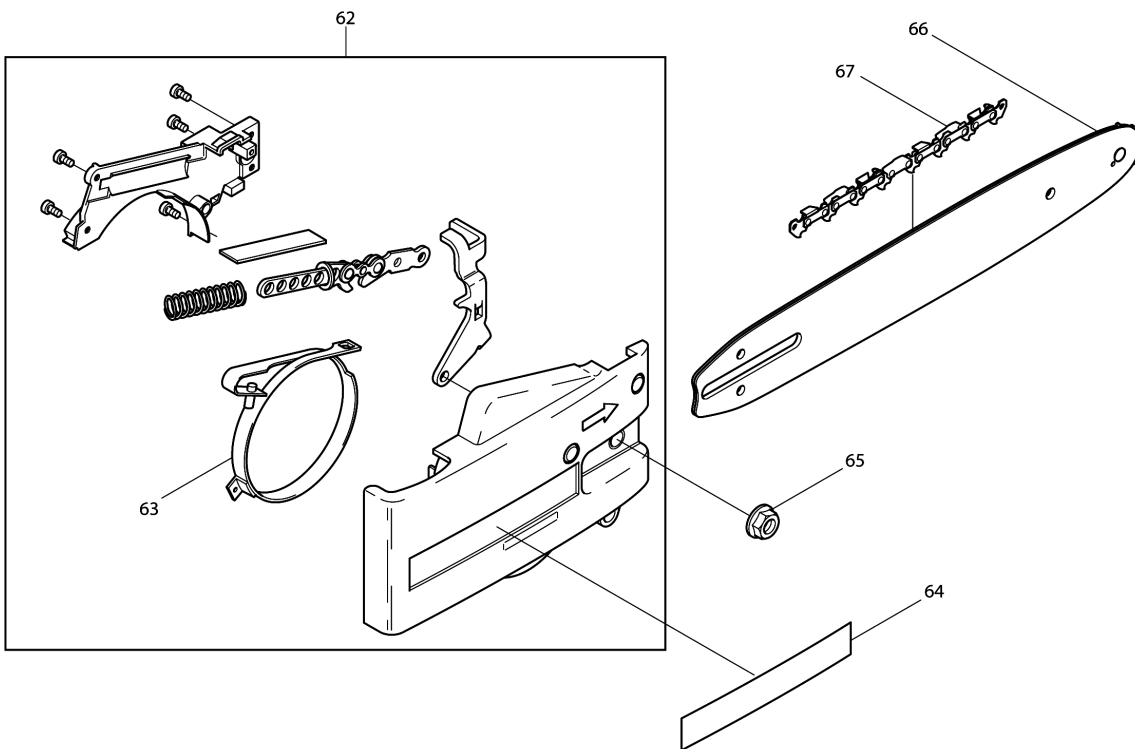
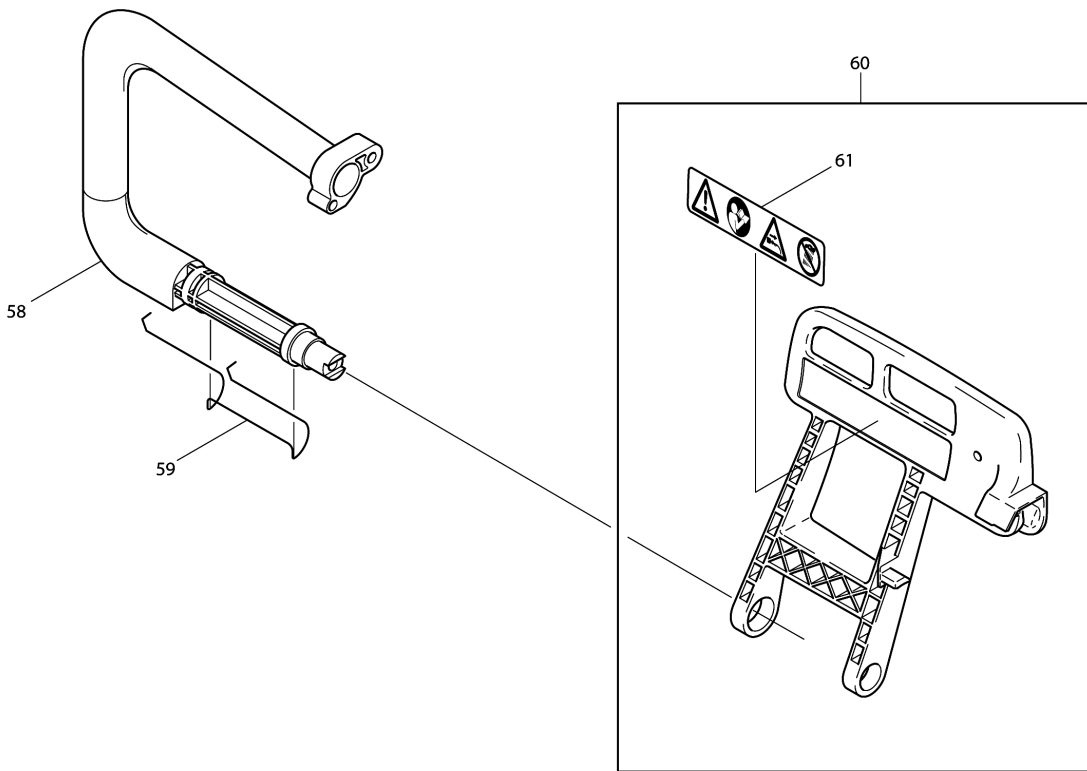
Model No.DES400 CHAIN SAW



Model No.DES400 CHAIN SAW



Model No.DES400 CHAIN SAW



Model No.DES400 CHAIN SAW

Item	Parts No.	Description	I/C	Qty	New/Old	Opt. 1	Opt. 2	Note
001	205117600	PROTECTIVE COVER F.TUBE		1				
002	205111671	CASE CLUTCH SIDE CPL.		1				
D10		INC. 3						
003	962300011	NEEDLE CAGE		1				
004	021232010	BOLT		1				
005	913455204	H.L.TAPPING SCREW 5.5X20		2	*			
005-1	913455204	H.L.TAPPING SCREW 5.5X20	O	2	*			
005-2	266475-5	H.L.TAPPING SCREW 5.5X20	O	2				
006	913455454	H.L.TAPPING SCREW 5,5X45		1				
007	913455554	SCREW M5.5X55		4				
008	980113616	LABEL "400MM"		1				
009	913455204	H.L.TAPPING SCREW 5.5X20		1	*			
009-1	913455204	H.L.TAPPING SCREW 5.5X20	O	1	*			
009-2	266475-5	H.L.TAPPING SCREW 5.5X20	O	1				
010	913455454	H.L.TAPPING SCREW 5,5X45		1				
011	913455204	H.L.TAPPING SCREW 5.5X20		2	*			
011-1	913455204	H.L.TAPPING SCREW 5.5X20	O	2	*			
011-2	266475-5	H.L.TAPPING SCREW 5.5X20	O	2				
012	389213080	TENSIONING SCREW		1	*			
012-1	389213081	TENSIONING SCREW	O	1				
013	001213042	TENSION SLIDE		1				
014	203111040	GUIDE PLATE		1				
015	205250010	SPIKE BAR		1				
016	913455304	H.L.TAPPING SCREW 5.5X30		2				
017	028233311	CLUTCH DRUM CPL.		1				
018	204180000	CLUTCH CPL.		1				
019	203111601	MOTOR CASE		1				
020	205118020	AIR DIAPHRAGM		1				
021	203118011	AIR GUIDE PLATE		1				
022	970108929	MOTOR ASSY.220-240V		1				
D10		INC. 23-27						
023	957113840	CARBON BRUSH		2				
024	970113941	ROTOR ASSY.		1				
025	970114330	BEARING PEDESTAL CPL.WITH BEAR		1				
026	905105605	SCREW M5X60		2				
027	926105001	SPRING RING		2				
028	205111632	CASE MOTOR SIDE CPL.		1				
029	929110100	SNAP RING		1				
030	965451301	PLUG		1				
031	965451308	PLUG		1				
032	929109100	SNAP RING		1				
033	908005165	FILLISTER HEAD SCREW M5X16		4	*			
033-1	266605-8	H.L. SOCKET HEAD BOLT M5X16	O	4				
034	203228002	GEAR WHEEL W. SHAFT CPL.		1				

Please order the parts with part number.

Print Date 23/10/2023

Model No.DES400 CHAIN SAW

Item	Parts No.	Description	I/C	Qty	New/Old	Opt. 1	Opt. 2	Note
035	203228120	PINION		1				
036	975001160	PUSH BUTTON		1				
037	970109870	CAPACITOR		1				
042	970102110	CABLE WITH PLUG		1				
043	204152010	CORD GUARD		1				
044	203152050	TRACTION RELIEF		1				
045	915635164	SELF-CUTTING SCREW M3.5X16		2	*			
045-1	266101-6	TAPPING SCREW BIND PT3.5X16	O	2				
046	021245003	OIL PUMP CPL.		1				
047	203245001	HOLDER FOR OIL PUMP		1	*			
047-1	203245002	HOLDER FOR OIL PUMP	O	1				
048	915735100	PZ2 TAPPING SCREW 3.5X9.5		1	*			
048-1	251533-0	TAPPING SCREW 3.5X10	O	1				
050	205245050	CONNECTING		1				
051	205114001	OIL TANK CPL.		1				
D10		INC. 52,54-57						
052	205114202	TANK PLUG CPL.		1				
D10		INC. 53						
053	963100081	GASKET		1				
054	963228030	O-RING 28		1				
055	205114300	CONNECTION FOR TANK		1				
056	965452380	VENTILATION LINE		1	*			
056-1	965452382	OIL RESISTANT HOSE D=3MM L=1M	O	1				
057	965452380	VENTILATION LINE		1	*			
057-1	965452382	OIL RESISTANT HOSE D=3MM L=1M	O	1				
058	205310010	TUBULAR HANDLE		1				
059	205213030	SPRING FOR HAND GUARD		1				
060	205213200	HAND GUARD CPL.		1				
D10		INC. 61						
061	980114181	LABEL		1				
062	205213670	CHAIN BRAKE CPL.		1				
D10		INC. 63						
063	028213501	BRAKE SPRING		1				
064	980114251	LABEL		1				
065	923208004	HEX. FLANGE NUT M8(BAR NUT)		1	*			
065-1	252145-2	COLLARED HEX NUT M8	O	1				
066	442040661	GUIDE BAR STD 16"3/8".050" M		1				
067	528092656	SAW CHAIN 16"		1				
A01	952100633	CHAIN PROT.COVER 12"-16"		1				
A02	941713001	UNIVERSAL WRENCH		1				

Please order the parts with part number.

Print Date 23/10/2023