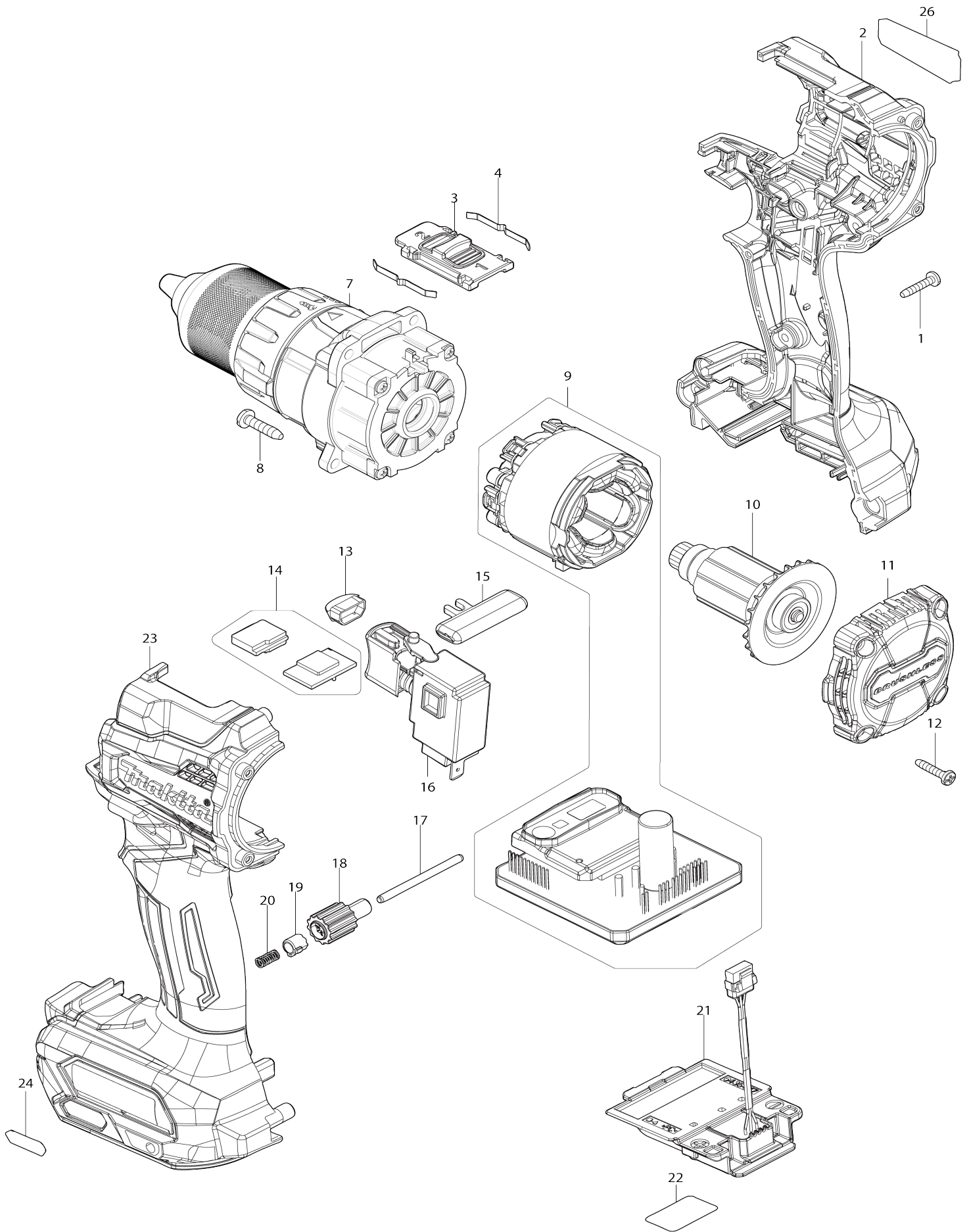


# Model No.DF001G CORDLESS DRIVER DRILL



Model No.DF001G CORDLESS DRIVER DRILL

Item No.	Parts No.	Description	Interchangability	Q'ty	New/Old	Note1	Note2
001	266130-9	TAPPING SCREW BIND PT 3X16		7			
002	183N73-3	HOUSING SET		1	*		
C10	263005-3	RUBBER PIN 6		2	*		
C20	252126-6	HEX. LOCK NUT M4-7		2	*		
C30	422569-8	SPONGE SHEET		2	*		
D10		INC. 23					
002-1	183S37-7	HOUSING SET	O	1			
C10	263005-3	RUBBER PIN 6		2			
C20	252126-6	HEX. LOCK NUT M4-7		2			
C30	422569-8	SPONGE SHEET		2			
D10		INC. 23					
003	127494-5	SPEED CHANGE LEVER ASSEMBLY		1			
C10	233438-6	COMPRESSION SPRING 4		2			
004	232220-0	LEAF SPRING		2			
007	136232-4	KEYLESS DRILL CHUCK ASS'Y		1	*		
007-1	136360-5	KEYLESS DRILL CHUCK ASS'Y	<	1	*		
C10	763252-1	KEYLESS DRILL CHUCK 13		1	*		
C20	127728-6	GEAR ASSEMBLY		1	*		
C30	251468-5	- FLAT HEAD SCREW M6X22		1	*		
007-2	136406-7	KEYLESS DRILL CHUCK ASS'Y	<	1			
C10	763252-1	KEYLESS DRILL CHUCK 13		1			
C20	122A41-3	GEAR ASSEMBLY		1			
C30	251468-5	- FLAT HEAD SCREW M6X22		1			
008	266326-2	TAPPING SCREW 4X18		4			
009	629476-8	STATOR COMPLETE		1			
C10	8009H0-8	SWITCH LABEL		1			
010	619613-2	ROTOR		1	*		
010-1	619613-2	ROTOR	O	1			
011	412361-0	REAR COVER		1			
012	266130-9	TAPPING SCREW BIND PT 3X16		4			
013	620549-0	LED CIRCUIT		1			
014	620C81-2	SENSOR CIRCUIT		1			
015	419041-9	F/R CHANGE LEVER		1			
016	651443-5	SWITCH C3JR-4B		1			
017	256949-4	ROD 3		1			
018	140R76-4	DIAL COMPLETE		1			
019	313288-6	DIAL CAM		1			
020	232597-3	COMPRESSION SPRING 3		1			
021	632P49-4	TERMINAL UNIT		1			
022	856T20-0	DF001G SERIAL NO. LABEL		1			
023	183N73-3	HOUSING SET		1	*		
C10	263005-3	RUBBER PIN 6		2	*		
C20	252126-6	HEX. LOCK NUT M4-7		2	*		
C30	422569-8	SPONGE SHEET		2	*		
D10		INC. 2					
023-1	183S37-7	HOUSING SET	O	1			
C10	263005-3	RUBBER PIN 6		2			

C20	252126-6	HEX. LOCK NUT M4-7		2		
C30	422569-8	SPONGE SHEET		2		
D10		INC. 2				
024	8007R2-2	XGT LOGO LABEL		1		
026	856T13-7	DF001G NAME PLATE		1		
A01	127552-7	GRIP ASSEMBLY		1		
C10	140S65-5	ARM R COMPLETE		1		
C20	140S66-3	POLE COMPLETE		1		
C30	266886-4	HEX. BOLT M8X65		1		
C40	319966-6	ARM L		1		
C50	962055-2	RETAINING RING (INT) R-15		1		
A02	251314-2	+ SCREW M4X12		2		
A03	346317-0	HOOK		1		
A04	784637-8	+ BIT 2-45		2		
A05	452947-8	BIT HOLDER		1		
A06	412393-7	BATTERY COVER		1		
A07	***DC40RA	DC40RA FAST CHARGER		1		
D10		COMPO-PARTS				
A08	191B36-3	BATTERY BL4025 SET		2		
A09	821551-8	CONNECTOR PLASTIC CASE (TYP E3)		1		
C10	453974-8	LATCH		4		
A10	835F93-2	INNER TRAY		1		
A11	8010K6-6	DF001GD201 INDICATION LABEL		1		
A12	8010K7-4	DF001GD201 PLASTIC CASE LABEL		2		
A08	191B26-6	BATTERY BL4040 SET		2		
A11	8010L8-9	DF001GM201 INDICATION LABEL		1		
A12	8010L9-7	DF001GM201 PLASTIC CASE LABEL		2		

Please state Parts No. when your order.

Print Date 25/10/2023