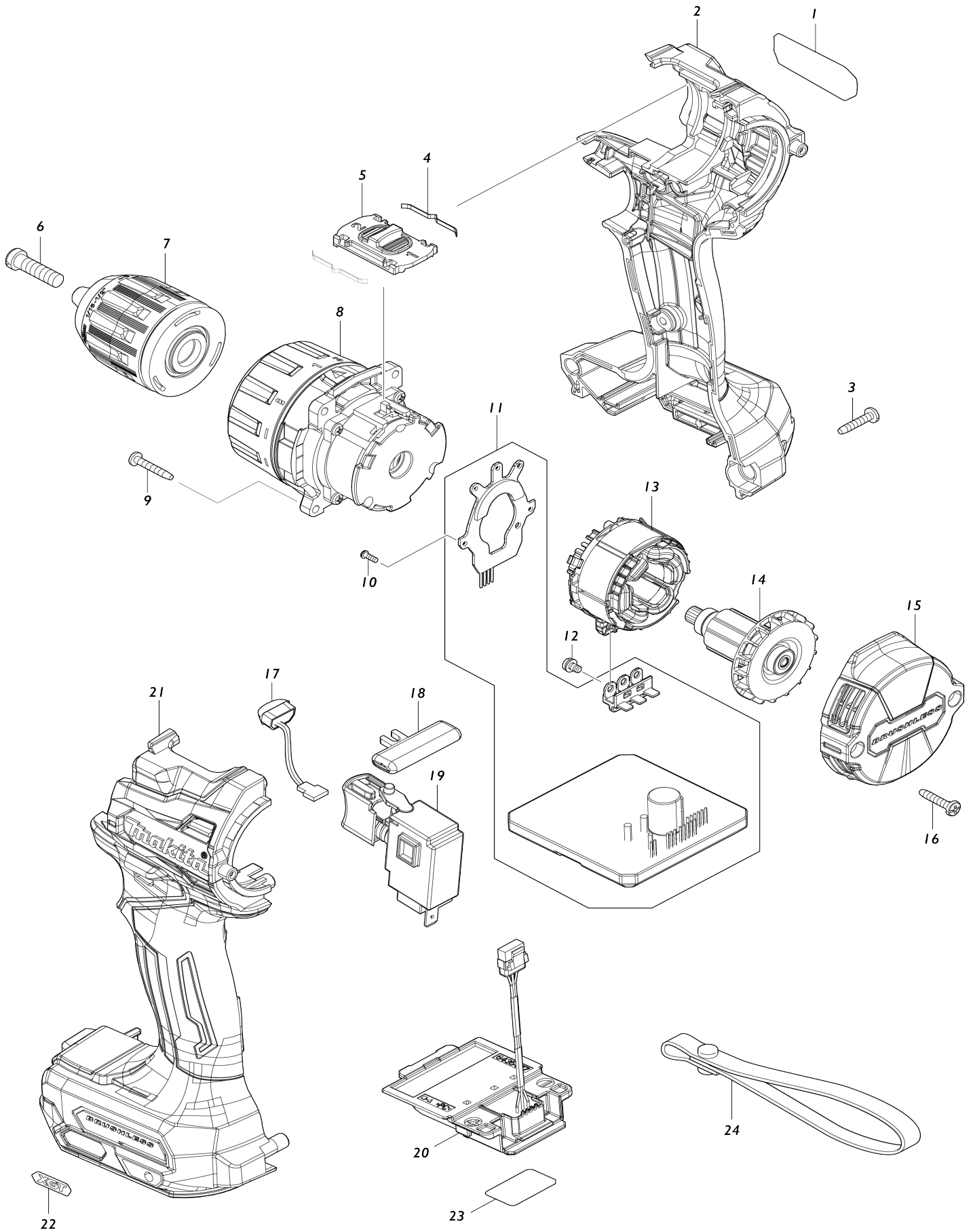


Model No.DF002G CORDLESS DRIVER DRILL



Model No.DF002G CORDLESS DRIVER DRILL

Item No.	Parts No.	Description	Interchangeability	Q'ty	New/Old	Note1	Note2
001	858D03-0	DF002G NAME PLATE		1			
002	183S03-4	HOUSING SET		1			
C10	263005-3	RUBBER PIN 6		2			
C20	252126-6	HEX. LOCK NUT M4-7		2			
D10		INC. 21					
003	266429-2	TAPPING SCREW 3X16		7			
004	232493-5	LEAF SPRING		2			
005	127731-7	SPEED CHANGE LEVER ASSEMBLY		1			
C10	233438-6	COMPRESSION SPRING 4		2			
006	251468-5	- FLAT HEAD SCREW M6X22		1			
007	763256-3	KEYLESS DRILL CHUCK 13		1	*		
007-1	763262-8	KEYLESS DRILL CHUCK 13	<	1			
008	127730-9	GEAR ASSEMBLY		1			
009	251497-8	TAPPING SCREW 3X20		4	*		
009-1	265D32-0	TAPPING SCREW 3X20	O	4			
010	266490-9	TAPPING SCREW PT 2X6		3	*		
010-1	265C47-1	TAPPING SCREW PT 2X6	O	3			
011	620E42-4	CONTROLLER		1			
012	652069-6	FLAT HEAD SCREW M3X6		3			
013	629A35-4	STATOR		1			
014	619659-8	ROTOR		1			
015	413251-0	REAR COVER		1			
016	266429-2	TAPPING SCREW 3X16		2			
017	620549-0	LED CIRCUIT		1			
018	419041-9	F/R CHANGE LEVER		1			
019	651443-5	SWITCH C3JR-4B		1			
020	632R99-1	TERMINAL UNIT		1			
021	183S03-4	HOUSING SET		1			
C10	263005-3	RUBBER PIN 6		2			
C20	252126-6	HEX. LOCK NUT M4-7		2			
D10		INC. 2					
022	8007R2-2	XGT LOGO LABEL		1			
023	858D10-3	DF002G SERIAL NO. LABEL		1			
A01	251314-2	+ SCREW M4X12		1			
A02	346317-0	HOOK		1			
A03	784637-8	+ - BIT 2-45		1			
F01	191E41-8	GRIP ASSEMBLY SET		1			
A04	***DC40RA	DC40RA FAST CHARGER		1			
D10		COMPO-PARTS					
A05	191B36-3	BATTERY BL4025 SET		2			
A06	412393-7	BATTERY COVER		1			
A07	821550-0	CONNECTOR PLASTIC CASE (TYPE2)		1			
C10	453974-8	LATCH		4			
A08	835U77-0	INNER TRAY		1			
A09	8028H4-0	DF002GD201 INDICATION LABEL		1			
A10	8028H5-8	DF002GD201 PLASTIC CASE LABEL		2			

		L					
--	--	---	--	--	--	--	--

Please state Parts No. when your order.

Print Date 10/24/2023