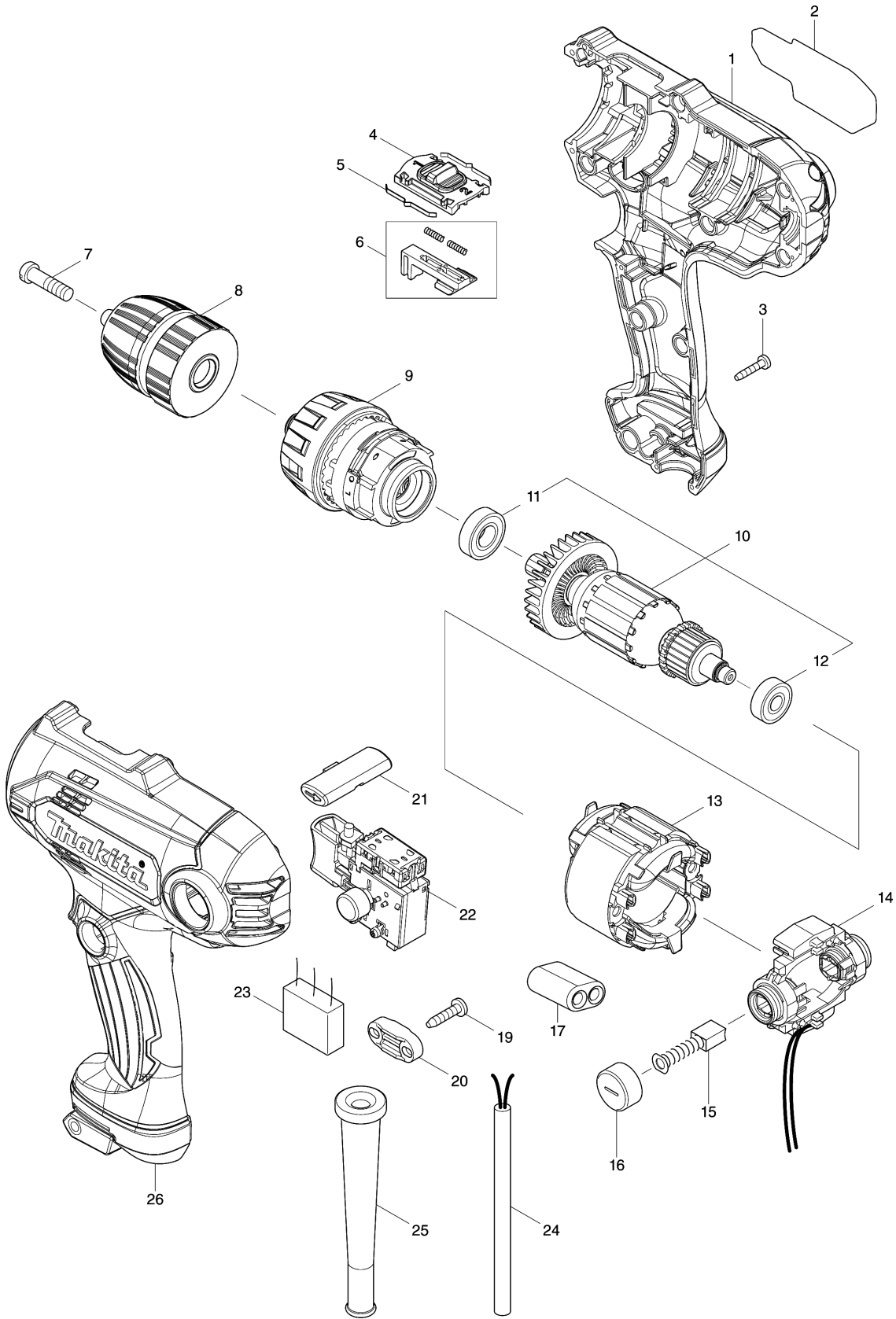


Model No.DF0300 DRIVER DRILL



Model No.DF0300 DRIVER DRILL

Item	Parts No.	Description	I/C	Qty	New/Old	Opt. 1	Opt. 2	Note
001	183M32-1	HOUSING SET		1				
C10	263002-9	RUBBER PIN 4		4				
C20	252126-6	HEX. LOCK NUT M4-7		2				
D10		INC. 26						
002	856B70-7	DF0300 NAME PLATE		1				
003	266429-2	TAPPING SCREW 3X16		9				
004	459026-3	SPEED CHANGE LEVER		1	*			
004-1	413F37-8	SPEED CHANGE LEVER	O	1				
005	232493-5	LEAF SPRING		2				
006	127357-5	CHANGE LEVER ASSEMBLY		1				
C10	233025-1	COMPRESSION SPRING 2		2				
007	251468-5	- FLAT HEAD SCREW M6X22		1				
008	766012-0	KEYLESS DRILL CHUCK 10		1				
009	127356-7	GEAR ASSEMBLY		1				
010	517999-7	ARMATURE ASS'Y 240V		1				
D10		INC. 11,12						
011	210069-8	BALL BEARING 6900DDW		1	*			
011-1	210258-5	BALL BEARING 6900DDW	>	1				
012	210062-2	BALL BEARING 607ZZ		1				
013	634738-1	FIELD		1				
014	632P52-5	HOLDER ARM UNIT		1				
015	191940-4	CARBON BRUSH CB-411		1				
016	643928-5	BRUSH HOLDER CAP		2				
019	266326-2	TAPPING SCREW 4X18		2				
020	687124-5	STRAIN RELIEF		1				
021	457210-4	F/R CHANGE LEVER		1				
022	651393-4	SWITCH DGQ-1104H-01		1				
023	632N91-3	CAPACITOR UNIT		1				
024	665394-6	POWER SUPPLY CORD 1.0-2-2.5		1				
025	682559-5	CORD GUARD 8		1				
026	183M32-1	HOUSING SET		1				
C10	263002-9	RUBBER PIN 4		4				
C20	252126-6	HEX. LOCK NUT M4-7		2				
D10		INC. 1						
A01	784637-8	+-- BIT 2-45		1				

Please order the parts with part number.

Print Date 24/10/2023