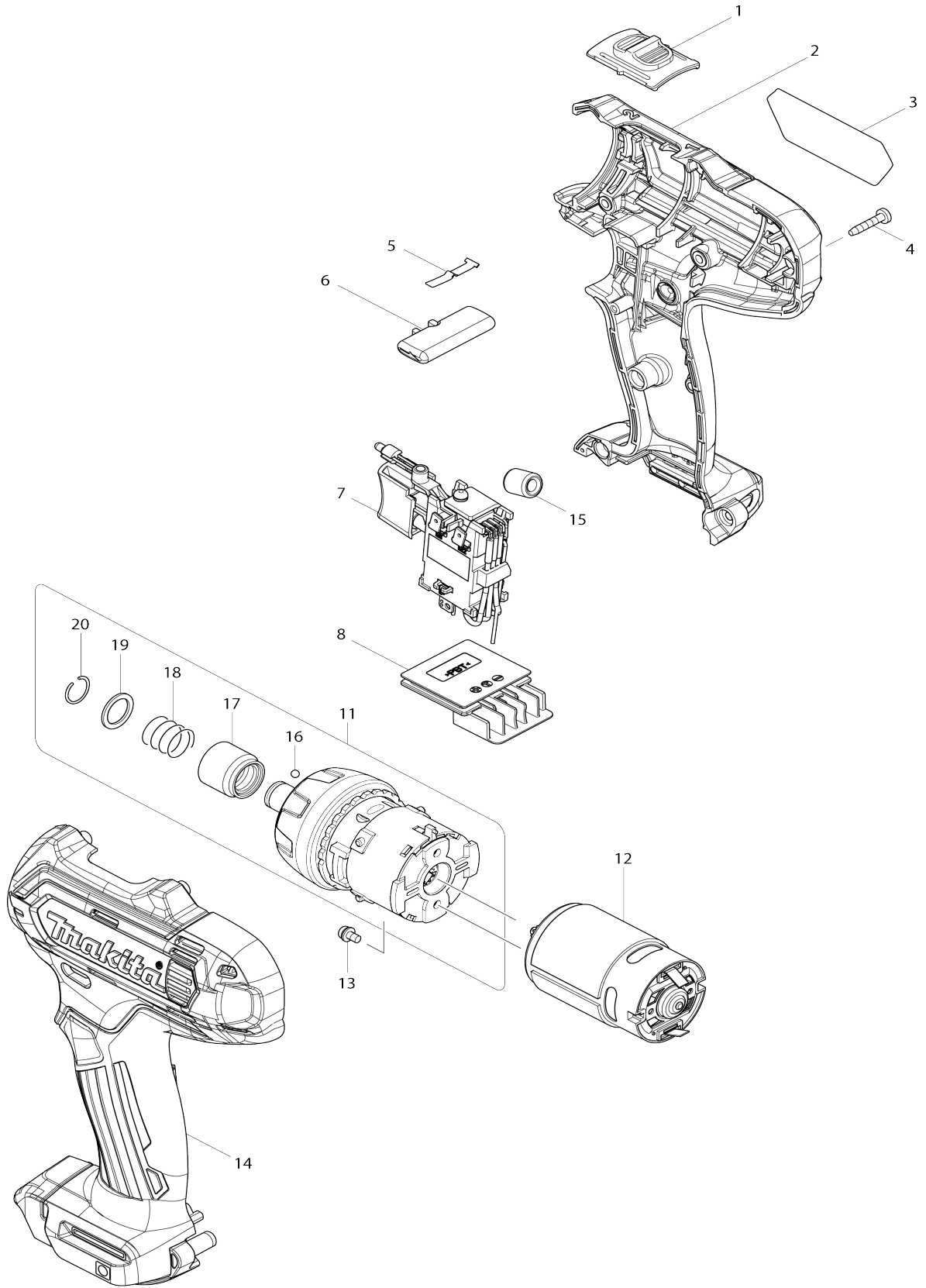


Model No.DF031D CORDLESS DRIVER DRILL



Model No.DF031D CORDLESS DRIVER DRILL

Item No.	Parts No.	Description	Interchangability	Q'ty	New/Old	Note1	Note2
001	126233-0	SPEED CHANGE LEVER ASSEMBLY		1			
C10	231433-0	COMPRESSION SPRING 4		2			
002	183B50-3	HOUSING SET		1			
C10	252126-6	HEX. LOCK NUT M4-7		2			
D10		INC. 14					
003	851H56-2	DF031D NAME PLATE		1	*		
003-1	851H55-4	DF031D NAME PLATE	<	1			
004	266429-2	TAPPING SCREW 3X16		9			
005	232239-9	LEAF SPRING		1			
006	456039-5	F/R CHANGE LEVER		1			
007	632F42-8	SWITCH UNIT		1	*		
C10	620463-0	LED CIRCUIT		1	*		
C20	632F65-6	LINE FILTER UNIT		1	*		
007-1	632J76-5	SWITCH UNIT	<	1			
C10	620625-0	LED CIRCUIT		1			
C20	632F65-6	LINE FILTER UNIT		1	*		
C21	688161-2	LINE FILTER	<	1			
008	644813-5	TERMINAL		1			
011	123504-6	GEAR ASS'Y		1			
D10		INC. 16-20					
012	629169-7	DC MOTOR		1	*		
012-1	629167-1	DC MOTOR	O	1			
013	911003-8	PAN HEAD SCREW M3X6		2			
014	183B50-3	HOUSING SET		1			
C10	252126-6	HEX. LOCK NUT M4-7		2			
D10		INC. 2					
015	688164-6	LINE FILTER		1	*		
015-1	632F65-6	LINE FILTER UNIT	<	1			
C10	688164-6	LINE FILTER		1			
016	216019-1	STEEL BALL 3		2			
017	324919-2	BIT SLEEVE		1			
018	233005-7	COMPRESSION SPRING 13		1			
019	267143-3	FLAT WASHER 11		1			
020	231965-7	RING SPRING 10		1			
A01	251314-2	+ SCREW M4X12		1			
A02	346909-5	HOOK		1			
A03	784244-7	+ BIT 2-50		1			
F03	197390-1	BATTERY BL1015 SET		1			
F04	197391-9	BATTERY BL1015 SET		1			
F05	197393-5	BATTERY BL1016 SET		1			
F13	198968-3	BATTERY BL1016 SET		1			
F14	198969-1	BATTERY BL1016 SET (2PIECES)		1			
F15-1	198970-6	BATTERY BL1021B SET (2PIECES)	O	1			
F16-1	199002-2	BATTERY BL1041B SET (2PIECES)	O	1			
A04	456128-6	BATTERY COVER		1			
A05	***DC10SA	DC10SA BATTERY CHARGER		1	*		
D10		COMPO-PARTS					

A05-1	***DC10SB	DC10SB BATTERY CHARGER	<	1			
D10		COMPO-PARTS					
A06	197394-3	BATTERY BL1020B SET		2	*		
A06-1	197396-9	BATTERY BL1021B SET	<	2	*		
A06-2	197396-9	BATTERY BL1021B SET	O	2			
A07	784244-7	+ BIT 2-50		1			
A08	821549-5	CONNECTOR PLASTIC CASE (TYP E1)		1			
C10	453974-8	LATCH		4			
A09	838312-9	INNER TRAY		1			
A10	807K92-4	DF031DSAJ INDICATION LABEL		1			
A11	807K93-2	DF031DSAJ PLASTIC CASE LABEL		2			

Please state Parts No. when your order.

Print Date 25/10/2023