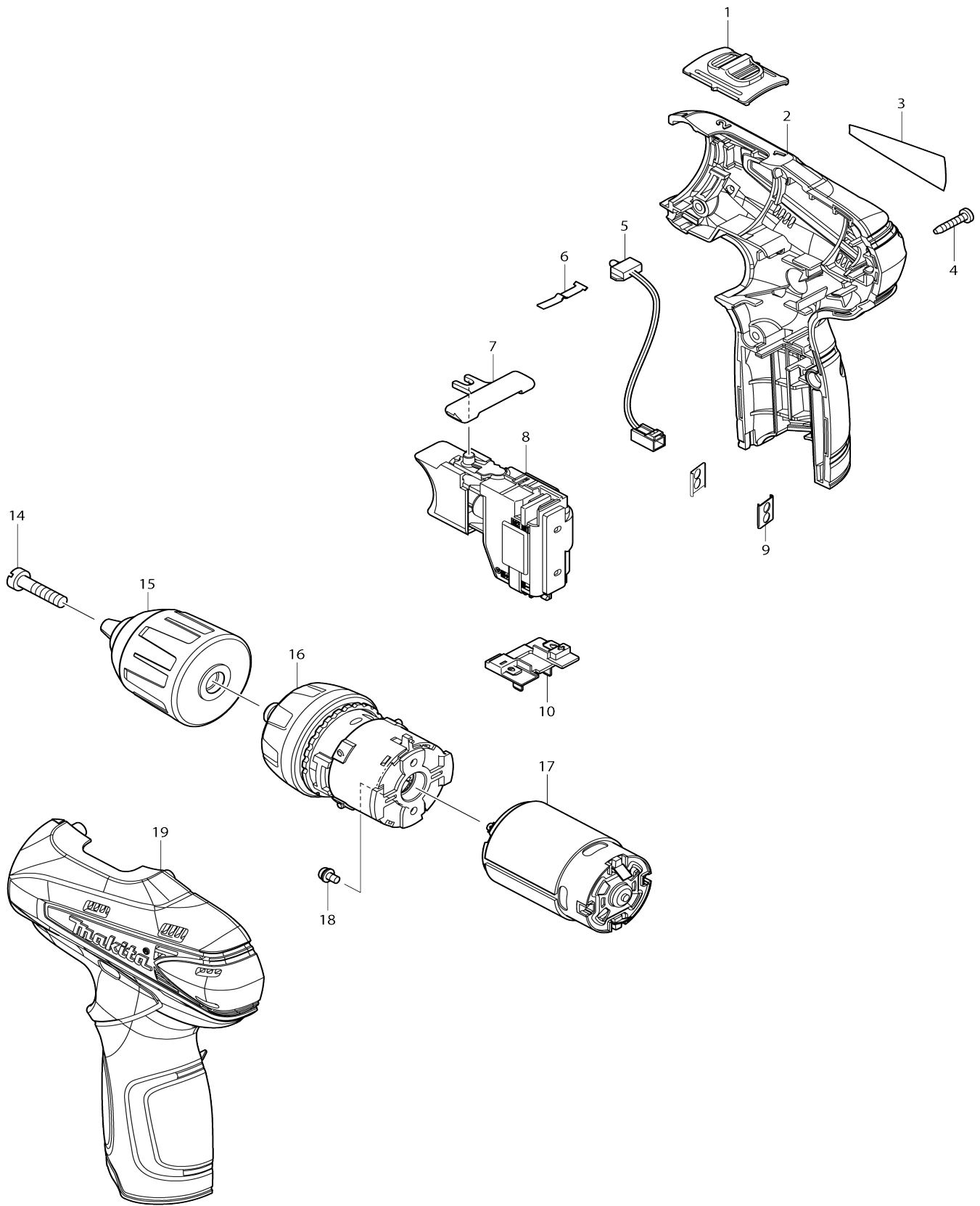


Model No.DF330D CORDLESS DRIVER DRILL



Model No.DF330D CORDLESS DRIVER DRILL

Item No.	Parts No.	Description	Interchangability	Q'ty	New/Old	Note1	Note2
001	125461-4	SPEED CHANGE LEVER ASSEMBLY		1	*		
C10	231433-0	COMPRESSION SPRING 4		2	*		
001-1	126233-0	SPEED CHANGE LEVER ASSEMBLY	<	1			
C10	231433-0	COMPRESSION SPRING 4		2			
002	188498-2	HOUSING SET		1	*		
D10		INC. 19					
002-1	187147-8	HOUSING SET	X	1	*		
D10		INC. 19					
002-2	187359-3	HOUSING SET	O	1			
D10		INC. 19					
003	866201-8	DF330D NAME PLATE		1			
004	266130-9	TAPPING SCREW BIND PT 3X16		6			
005	631813-4	LED CIRCUIT		1	*		
006	232239-9	LEAF SPRING		1			
007	450504-6	F/R CHANGE LEVER		1			
008	650599-1	SWITCH C3HY-1A-LM		1	*		
008-1	650645-0	SWITCH C3HY-1A-LF1M	<	1	*		
008-2	650699-7	SWITCH C3HW-3A-LF1M	X	1			
009	345998-7	SET PLATE		2			
010	643830-2	TERMINAL		1			
014	251451-2	- PAN HEAD SCREW M5X22		1			
015	766007-3	KEYLESS DRILL CHUCK 10		1	*		
015-1	763228-8	KEYLESS DRILL CHUCK 10	<	1			
016	125539-3	GEAR ASS'Y		1	*		
016-1	123503-8	GEAR ASS'Y	O	1	*		
016-2	127099-1	GEAR ASSEMBLY	<	1			
017	629853-4	DC MOTOR		1			
018	911003-8	PAN HEAD SCREW M3X6		2			
019	188498-2	HOUSING SET		1	*		
D10		INC. 2					
019-1	187147-8	HOUSING SET	X	1	*		
D10		INC. 2					
019-2	187359-3	HOUSING SET	O	1			
D10		INC. 2					
020	533020-4	LEAD ASS'Y		1	*		
020-1	533031-9	LEAD ASS'Y	O	1			
021	533019-9	LEAD ASS'Y		1	*		
021-1	533030-1	LEAD ASS'Y	O	1			
A01	168467-9	HOLSTER		1			
A02	***DC10WA	DC10WA BATTERY CHARGER		1			
A03	194550-6	BATTERY BL1013 SET		2	*		
A03-1	196066-7	BATTERY BL1013 SET	O	2			
A04	784244-7	+ BIT 2-50		1			
A05	824781-0	PLASTIC CASE		1			
A06	824842-6	PLASTIC CARRYING CASE		1	*		
C10	417724-5	LATCH		2	*		

A06-1	141104-0	PLASTIC CARRYING CASE COMPL ETE	<	1		
C10	417724-5	LATCH		2		
E01	638929-6	LINE FILTER UNIT		1		
C10	654086-2	RECEPTACLE		2		
F01-1	196066-7	BATTERY BL1013 SET	O	1		
F04-1	191A86-2	KEYLESS DRILL CHUCK 10 SET	<	1		
A05	824842-6	PLASTIC CARRYING CASE		1	*	
C10	417724-5	LATCH		2	*	
A05-1	141104-0	PLASTIC CARRYING CASE COMPL ETE	<	1		
C10	417724-5	LATCH		2		
A06	DEZML100	RECHARGEABLE FLASH LIGHT(BU LK)		1		
A06	821549-5	CONNECTOR PLASTIC CASE (TYP E1)		1	*	
C10	453974-8	LATCH		4	*	
A06-1	821549-5	CONNECTOR PLASTIC CASE (TYP E1)	<	1		
C10	453974-8	LATCH		4		
A07	837663-7	INNER TRAY		1	*	
A07-1	837866-3	INNER TRAY	<	1		
A08	800X96-3	DF330DWJ INDICATION LABEL		1		
A09	800X97-1	DF330DWJ PLASTIC CASE LABEL		2		
002-1	187409-4	HOUSING SET		1		
019-1	187409-4	HOUSING SET		1		
A05	831294-4	TOOL BAG		1		

Please state Parts No. when your order.

Print Date 25/10/2023