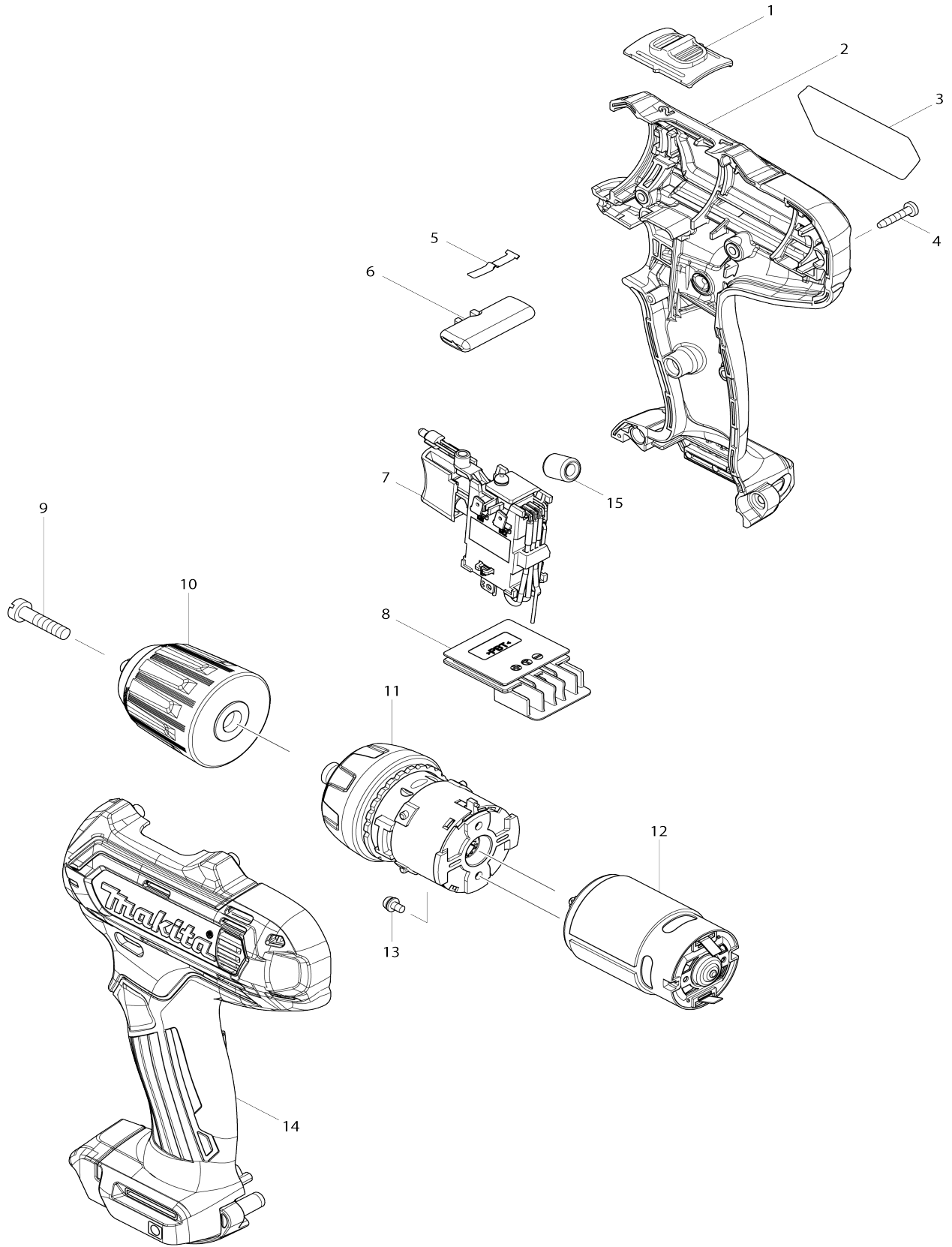


Model No.DF331D CORDLESS DRIVER DRILL



Model No.DF331D CORDLESS DRIVER DRILL

Item No.	Parts No.	Description	Interchangability	Q'ty	New/Old	Note1	Note2
001	126233-0	SPEED CHANGE LEVER ASSEMBLY		1			
C10	231433-0	COMPRESSION SPRING 4		2			
002	183B50-3	HOUSING SET		1			
C10	252126-6	HEX. LOCK NUT M4-7		2			
D10		INC. 14					
003	851H36-8	DF331D NAME PLATE		1	*		
003-1	851H35-0	DF331D NAME PLATE	<	1			
004	266429-2	TAPPING SCREW 3X16		9			
005	232239-9	LEAF SPRING		1			
006	456039-5	F/R CHANGE LEVER		1			
007	632F42-8	SWITCH UNIT		1	*		
C10	620463-0	LED CIRCUIT		1	*		
C20	632F65-6	LINE FILTER UNIT		1	*		
007-1	632J76-5	SWITCH UNIT	<	1			
C10	620625-0	LED CIRCUIT		1			
C20	632F65-6	LINE FILTER UNIT		1	*		
C21	688161-2	LINE FILTER	<	1			
008	644813-5	TERMINAL		1			
009	251451-2	- PAN HEAD SCREW M5X22		1			
010	763228-8	KEYLESS DRILL CHUCK 10		1			
011	123503-8	GEAR ASS'Y		1	*		
011-1	127099-1	GEAR ASSEMBLY	<	1			
012	629169-7	DC MOTOR		1	*		
012-1	629167-1	DC MOTOR	O	1			
013	911003-8	PAN HEAD SCREW M3X6		2			
014	183B50-3	HOUSING SET		1			
C10	252126-6	HEX. LOCK NUT M4-7		2			
D10		INC. 2					
015	688164-6	LINE FILTER		1	*		
015-1	632F65-6	LINE FILTER UNIT	<	1			
C10	688164-6	LINE FILTER		1			
A01	251314-2	+ SCREW M4X12		1			
A02	346909-5	HOOK		1			
A03	784244-7	+ BIT 2-50		1			
F03	197390-1	BATTERY BL1015 SET		1			
F04	197391-9	BATTERY BL1015 SET		1			
F05	197393-5	BATTERY BL1016 SET		1			
F06	197394-3	BATTERY BL1020B SET		1			
F07	197395-1	BATTERY BL1020B SET		1			
F08-1	197396-9	BATTERY BL1021B SET	O	1			
F09-1	197397-7	BATTERY BL1021B SET	O	1			
F12	197402-0	BATTERY BL1040B SET		1			
F13	197403-8	BATTERY BL1040B SET		1			
F14	197404-6	BATTERY BL1040B SET		1			
F15-1	197406-2	BATTERY BL1041B SET	O	1			
F16-1	197407-0	BATTERY BL1041B SET	O	1			
F31	198968-3	BATTERY BL1016 SET		1			

F32	198969-1	BATTERY BL1016 SET (2PIECES)		1		
F33-1	198970-6	BATTERY BL1021B SET (2PIECES)	O	1		
F34-1	199002-2	BATTERY BL1041B SET (2PIECES)	O	1		
A04	456128-6	BATTERY COVER		1		
A05	***DC10SA	DC10SA BATTERY CHARGER		1	*	
D10		COMPO-PARTS				
A05-1	***DC10SB	DC10SB BATTERY CHARGER	<	1		
D10		COMPO-PARTS				
A06	197394-3	BATTERY BL1020B SET		2	*	
A06-1	197396-9	BATTERY BL1021B SET	<	2	*	
A06-2	197396-9	BATTERY BL1021B SET	O	2		
A07	784244-7	+ BIT 2-50		1	*	
A08	821549-5	CONNECTOR PLASTIC CASE (TYP E1)		1		
C10	453974-8	LATCH		4		
A09	838312-9	INNER TRAY		1		
A10	807K62-3	DF331DSAJ INDICATION LABEL		1		
A11	807K63-1	DF331DSAJ PLASTIC CASE LABEL		2		
A06	197402-0	BATTERY BL1040B SET		2	*	
A06-1	197406-2	BATTERY BL1041B SET	<	2	*	
A06-2	197406-2	BATTERY BL1041B SET	O	2		
A10	807K64-9	DF331DSMJ INDICATION LABEL		1		
A11	807K65-7	DF331DSMJ PLASTIC CASE LABEL		2		
002	183G79-9	HOUSING SET		1		
014	183G79-9	HOUSING SET		1		
A05	***DC10WC	DC10WC BATTERY CHARGER		1	*	
A05-1	***DC10WD	DC10WD BATTERY CHARGER	<	1		
A06	197390-1	BATTERY BL1015 SET		2	*	
A06-1	197393-5	BATTERY BL1016 SET	<	2		
A07	821661-1	PLASTIC CARRYING CASE		1		
C10	417724-5	LATCH		2		
A05	***DC10SB	DC10SB BATTERY CHARGER		1		
A06	197396-9	BATTERY BL1021B SET		1	*	
A07	D-63921	17PCS. DRILL & SCREW BIT SET		1		
A08	198254-2	COOLER BOX TYPE 3 SET		1		
C10	457247-1	LATCH		4		
C20	424934-7	SEAL BOTTOM		1		
C30	424935-5	SEAL TOP		1		
C40	457237-4	INNER CASE(BOTTOM) TYPE 4		1		
C50	161576-3	SHOULDER BELT		1		
A10	817U88-7	DF331DSAX6 INDICATION LABEL		1		
A11	817U89-5	DF331DSAX6 PLASTIC CASE LABEL		2		
A12	832035-1	TOOL BAG		1		

Please state Parts No. when your order.

Print Date 25/10/2023