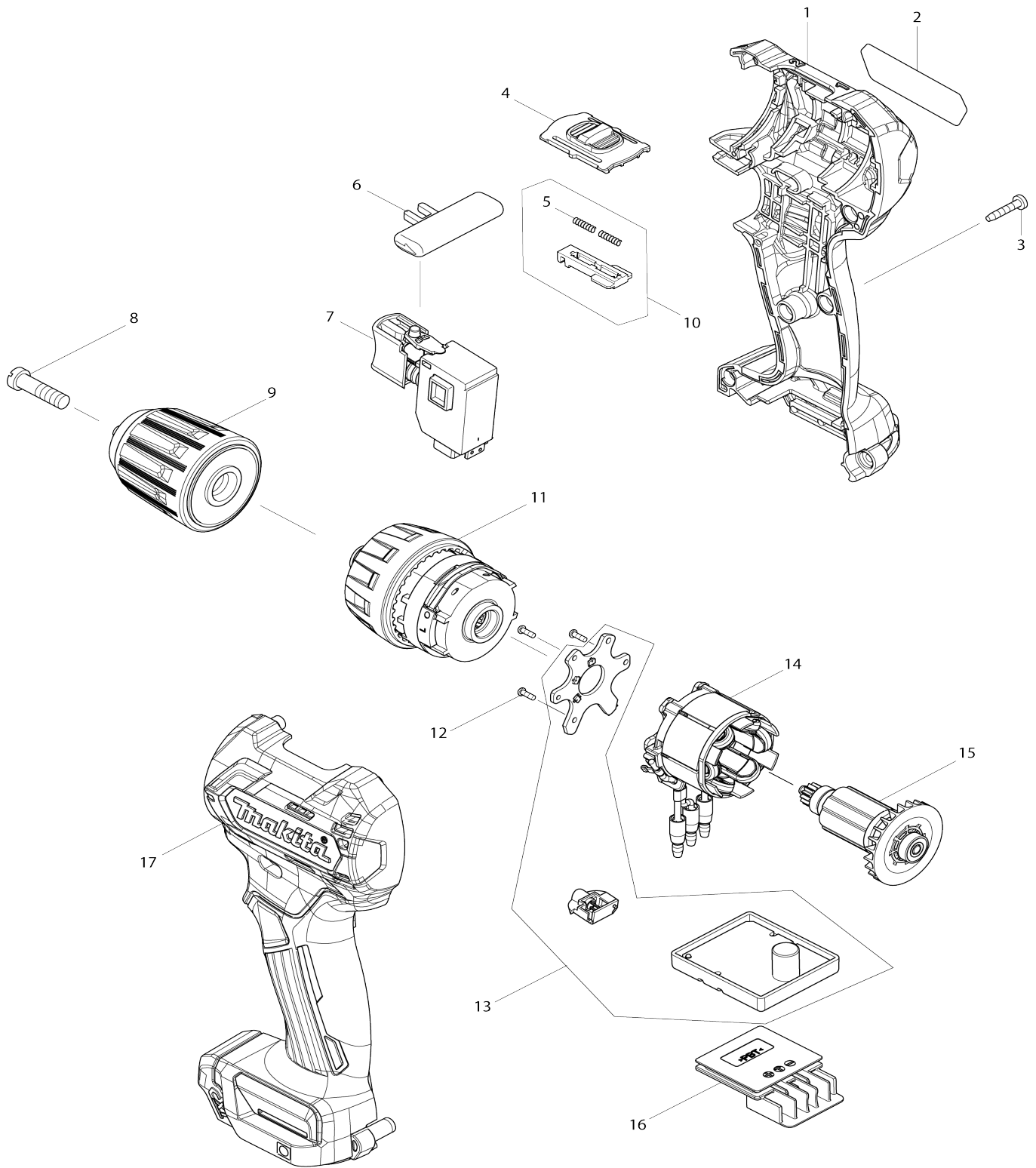


Model No.DF332D CORDLESS DRIVER DRILL



Model No.DF332D CORDLESS DRIVER DRILL

Item No.	Parts No.	Description	Interchangability	Q'ty	New/Old	Note1	Note2
001	183C34-7	HOUSING SET		1			
D10		INC. 17					
002	851T91-2	DF332D NAME PLATE		1	*		
002-1	851T90-4	DF332D NAME PLATE	<	1			
003	266429-2	TAPPING SCREW 3X16		8			
004	456532-9	SPEED CHANGE LEVER		1			
005	233025-1	COMPRESSION SPRING 2		2			
006	419041-9	F/R CHANGE LEVER		1			
007	650689-0	SWITCH C3JW-2B		1			
008	251468-5	- FLAT HEAD SCREW M6X22		1			
009	763238-5	KEYLESS DRILL CHUCK 10		1			
010	123587-6	CHANGE LEVER ASS'Y		1			
D10		INC. 5					
011	123549-4	GEAR ASSEMBLY		1	*		
011-1	123868-8	GEAR ASSEMBLY	O	1	*		
011-2	123868-8	GEAR ASSEMBLY	O	1			
012	266490-9	TAPPING SCREW PT 2X6		3			
013	620487-6	CONTROLLER		1	*		
013-1	620487-6	CONTROLLER	O	1	*		
C10	620553-9	LED CIRCUIT		1	*		
013-2	620B33-7	CONTROLLER	<	1			
C10	620553-9	LED CIRCUIT		1			
014	629178-6	STATOR		1			
015	619393-0	ROTOR		1	*		
015-1	619410-6	ROTOR	O	1	*		
015-2	619410-6	ROTOR	O	1			
016	644813-5	TERMINAL		1			
017	183C34-7	HOUSING SET		1			
D10		INC. 1					
A01	251314-2	+ SCREW M4X12		1			
A02	346909-5	HOOK		1			
A03	784244-7	+ BIT 2-50		1			
F05	198968-3	BATTERY BL1016 SET		1			
F06	198969-1	BATTERY BL1016 SET (2PIECES)		1			
F07-1	198970-6	BATTERY BL1021B SET (2PIECES)	O	1			
F08-1	199002-2	BATTERY BL1041B SET (2PIECES)	O	1			
A04	456128-6	BATTERY COVER		1			
A05	***DC10SA	DC10SA BATTERY CHARGER		1	*		
D10		COMPO-PARTS					
A05-1	***DC10SB	DC10SB BATTERY CHARGER	<	1			
D10		COMPO-PARTS					
A06	197394-3	BATTERY BL1020B SET		2	*		
A06-1	197396-9	BATTERY BL1021B SET	<	2	*		
A06-2	197396-9	BATTERY BL1021B SET	O	2			
A07	784244-7	+ BIT 2-50		1			
A08	821549-5	CONNECTOR PLASTIC CASE (TYP E1)		1			
C10	453974-8	LATCH		4			

A09	838312-9	INNER TRAY		1			
A10	808H69-4	DF332DSAJ INDICATION LABEL		1			
A11	808H70-9	DF332DSAJ PLASTIC CASE LABEL		2			
A06	197402-0	BATTERY BL1040B SET		2	*		
A06-1	197406-2	BATTERY BL1041B SET	<	2	*		
A06-2	197406-2	BATTERY BL1041B SET	O	2			
A10	808H71-7	DF332DSMJ INDICATION LABEL		1			
A11	808H72-5	DF332DSMJ PLASTIC CASE LABEL		2			

Please state Parts No. when your order.

Print Date 25/10/2023