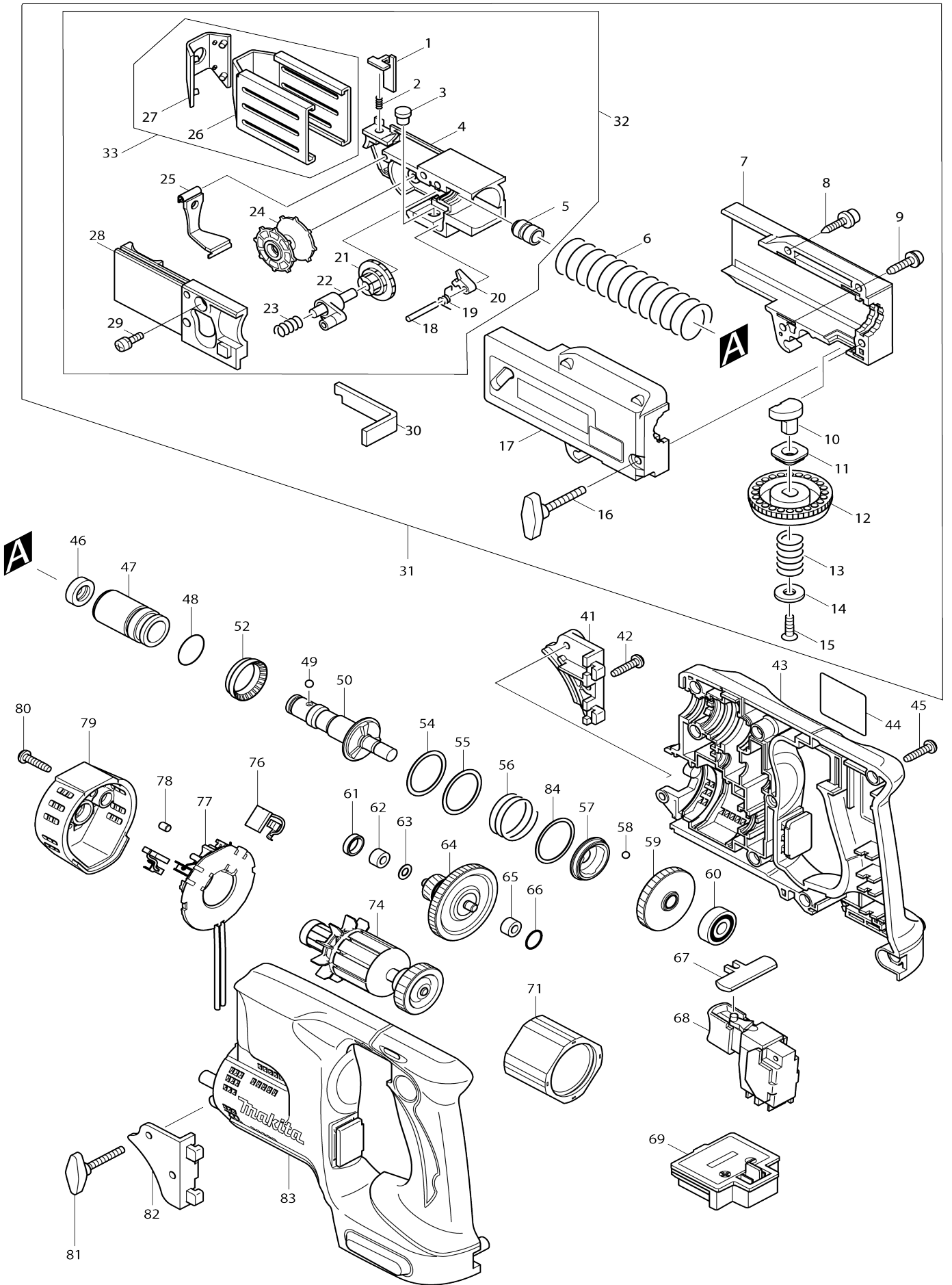


Model No.DFR450X CORDLESS AUTO FEED SCREWDRIVER



Model No.DFR450X CORDLESS AUTO FEED SCREWDRIVER

Item No.	Parts No.	Description	Interchangeability	Q'ty	New/Old	Note1	Note2
001	344625-3	LEVER		1			
002	233211-4	COMPRESSION SPRING 2		1			
003	256451-7	PIN 6		1			
004	416500-4	FEEDER BOX		1	*		
004-1	412962-4	FEEDER BOX	<	1			
005	257685-5	SLEEVE 5		1			
006	233209-1	COMPRESSION SPRING 21		1			
007	182994-2	CASING SET		1			
C10	818553-3	INDICATION LABEL		1			
C20	816282-2	INDICATION LABEL		1			
C30	818843-4	INDICATION LABEL		1			
D10		INC. 17					
008	266045-0	TAPPING SCREW 4X20		2			
009	266020-6	TAPPING SCREW 4X12		1			
010	310091-6	SHIFTER PIN		1			
011	257686-3	SLEEVE 8		1			
012	417056-0	DIAL 42		1			
013	213105-9	O RING 11		1			
014	267201-5	FLAT WASHER 6		1			
015	912117-6	COUNTERSUNK HEAD SCREW M4 X12		1			
016	265779-2	THUMB SCREW M4X28		1			
017	182994-2	CASING SET		1			
C10	818553-3	INDICATION LABEL		1			
C20	816282-2	INDICATION LABEL		1			
C30	818843-4	INDICATION LABEL		1			
D10		INC. 7					
018	256158-5	PIN 3		1			
019	231636-6	TORSION SPRING 4		1			
020	310062-3	STOPPER		1			
021	226344-2	SPUR GEAR 16		1			
022	152580-3	RATCHET ARM COMPLETE		1			
023	233212-2	COMPRESSION SPRING 6		1			
024	416518-5	WHEEL		1			
025	162201-9	DUST COVER		1	*		
025-1	162934-6	DUST COVER	>	1			
026	344628-7	STOPPER BASE		1			
027	421617-0	CAP		1			
028	152581-1	BOX COVER COMPLETE		1			
029	911133-5	PAN HEAD SCREW M4X18		1			
030	344626-1	PLATE		1			
031	193024-4	CASING ASS'Y		1			
D10		INC. 1-30					
032	192853-2	FEEDER BOX ASS'Y		1			
D10		INC. 1-5,18-29					
033	152676-0	STOPPER BASE COMPLETE		1			
D10		INC. 26,27					
041	188040-9	SCREW GUIDE SET		1			

D10		INC. 82				
042	265995-6	TAPPING SCREW 4X18		1		
043	187478-5	HOUSING SET		1		
D10		INC. 83				
044	850D68-8	Name plate DFR450X		1		
045	265995-6	TAPPING SCREW 4X18		9		
046	421467-3	DUST COVER		1		
047	214173-5	PLANE BEARING 14		1		
048	213262-3	O RING 18		1		
049	216001-0	STEEL BALL 3.5		1		
050	324808-1	SPINDLE B		1		
052	421927-5	SLEEVE 20		1		
054	267331-2	FLAT WASHER 25		1		
055	267331-2	FLAT WASHER 25		1		
056	234017-3	COMPRESSION SPRING 25		1		
057	223169-5	CLUTCH CAM C		1		
058	216008-6	STEEL BALL 4		3		
059	226670-9	HELICAL GEAR 48		1		
060	211034-0	BALL BEARING 608		1		
061	165115-1	RUBBER SLEEVE 10		1		
062	214017-9	PLANE BEARING 5		1		
063	253811-4	FLAT WASHER 5		1		
064	154937-4	GEAR COMPLETE 18-44		1		
065	214017-9	PLANE BEARING 5		1		
066	213055-8	O RING 10		1		
067	419304-3	F/R CHANGE LEVER		1		
068	650670-1	SWITCH TG513SBA-2		1		
069	643860-3	TERMINAL		1		
071	638426-2	YOKE UNIT		1		
074	619216-2	ARMATURE		1		
076	194427-5	CARBON BRUSH SET CB-440		1		
077	638433-5	BRUSH HOLDER COMPLETE		1		
C10	231696-8	TORSION SPRING R		1		
C20	231697-6	TORSION SPRING L		1		
078	263032-0	RUBBER PIN 4		2		
079	419307-7	FRONT COVER		1		
080	265995-6	TAPPING SCREW 4X18		2		
081	265779-2	THUMB SCREW M4X28		1		
082	188040-9	SCREW GUIDE SET		1		
D10		INC. 41				
083	187478-5	HOUSING SET		1		
D10		INC. 43				
084	267332-0	FLAT WASHER 26		1		
A01	281217-6	HOOK		1		
A02	784247-1	+ BIT 2-127		3		
A03	***DC18RC	DC18RC FAST CHARGER		1		
A04	196399-0	BATTERY BL1840 SET		2	*	
A04-1	196399-0	BATTERY BL1840 SET	O	2	*	
A04-2	197265-4	BATTERY BL1840B SET	<	2	*	
A04-3	197265-4	BATTERY BL1840B SET	O	2		
A05	142077-0	CONNECTOR P.CASE(TYPE3) CO MP.		1		

C10	453974-8	LATCH		4			
A06	450128-8	BATTERY COVER		2			
A07	805M78-4	Indication label DFR450RMJX		1			
A08	805M79-2	Plastic case label DFR450RMJX		2			
A09	837631-0	INNER TRAY		1			
E01	620122-6	CONTROLLER		1			
E02	688172-7	LINE FILTER		2			

Please state Parts No. when your order.

Print Date 10/24/2023