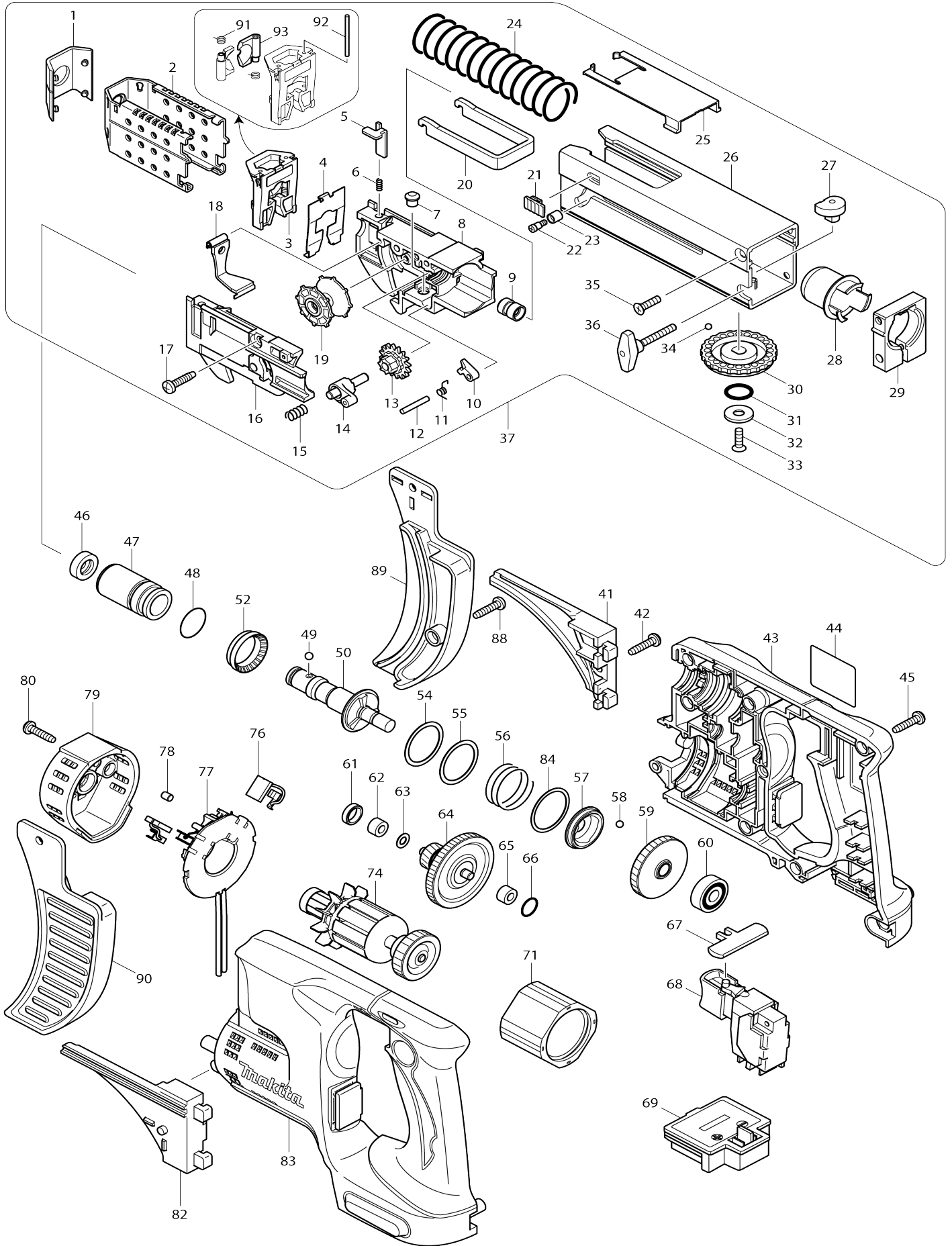


Model No.DFR550 CORDLESS AUTO FEED SCREWDRIVER



Model No.DFR550 CORDLESS AUTO FEED SCREWDRIVER

Item No.	Parts No.	Description	Interchangability	Q'ty	New/Old	Note1	Note2
001	424043-2	CAP		1			
002	345839-7	STOPPER BASE 55		1			
003	140493-0	GUIDE BOX COMPLETE		1			
D10		INC. 4,91,92,93					
004	346269-5	GUARD		1			
005	345837-1	LEVER		2			
006	233211-4	COMPRESSION SPRING 2		2			
007	256451-7	PIN 6		1			
008	450107-6	FEEDER BOX		1	*		
008-1	412963-2	FEEDER BOX	<	1			
009	257685-5	SLEEVE 5		1			
010	310062-3	STOPPER		1			
011	231636-6	TORSION SPRING 4		1			
012	256158-5	PIN 3		1			
013	226344-2	SPUR GEAR 16		1			
014	158374-4	RATCHET ARM COMPLETE		1			
015	233212-2	COMPRESSION SPRING 6		1			
016	158375-2	BOXCOVER COMPLETE		1			
017	265995-6	TAPPING SCREW 4X18		1			
018	162201-9	DUST COVER		1	*		
018-1	162934-6	DUST COVER	>	1			
019	416518-5	WHEEL		1			
020	345838-9	PLATE		1			
021	450111-5	STOPPER		2			
022	265177-0	+SHOULDER FLAT HEAD SCREW M3X5		1			
023	257764-9	SLEEVE 4		1			
024	234031-9	COMPRESSION SPRING 23		1			
025	450114-9	CASING COVER		1			
026	158377-8	CASING 55 COMPLETE		1			
C10	816885-2	INDICATION LABEL		1			
027	310237-4	SHIFTER PIN		1			
028	450110-7	INSULATION SLEEVE		1			
029	318181-9	CLAMPER		1			
030	417056-0	DIAL 42		1			
031	213107-5	O RING 12		1			
032	267201-5	FLAT WASHER 6		1			
033	912117-6	COUNTERSUNK HEAD SCREW M4 X12		1			
034	216001-0	STEEL BALL 3.5		1			
035	912117-6	COUNTERSUNK HEAD SCREW M4 X12		3			
036	265779-2	THUMB SCREW M4X28		1			
037	195184-8	CASING 55 SET		1			
D10		INC. 1-36					
041	188309-1	SCREW GUIDE SET		1			
D10		INC. 82					
042	265995-6	TAPPING SCREW 4X18		1			

043	187478-5	HOUSING SET		1		
D10		INC. 83				
044	815R58-2	DFR550 NAME PLATE		1		
045	265995-6	TAPPING SCREW 4X18		9		
046	421467-3	DUST COVER		1		
047	214173-5	PLANE BEARING 14		1		
048	213262-3	O RING 18		1		
049	216001-0	STEEL BALL 3.5		1		
050	324808-1	SPINDLE B		1		
052	421927-5	SLEEVE 20		1		
054	267331-2	FLAT WASHER 25		1		
055	267331-2	FLAT WASHER 25		1		
056	234017-3	COMPRESSION SPRING 25		1		
057	223169-5	CLUTCH CAM C		1		
058	216008-6	STEEL BALL 4		3		
059	226670-9	HELICAL GEAR 48		1		
060	211034-0	BALL BEARING 608		1		
061	165115-1	RUBBER SLEEVE 10		1		
062	214017-9	PLANE BEARING 5		1		
063	253811-4	FLAT WASHER 5		1		
064	154937-4	GEAR COMPLETE 18-44		1		
065	214017-9	PLANE BEARING 5		1		
066	213055-8	O RING 10		1		
067	419304-3	F/R CHANGE LEVER		1		
068	650670-1	SWITCH TG513SBA-2		1		
069	643860-3	TERMINAL		1		
071	638426-2	YOKE UNIT		1		
074	619216-2	ARMATURE		1		
076	194427-5	CARBON BRUSH SET CB-440		1		
077	638433-5	BRUSH HOLDER COMPLETE		1		
C10	231696-8	TORSION SPRING R		1		
C20	231697-6	TORSION SPRING L		1		
078	263032-0	RUBBER PIN 4		2		
079	419307-7	FRONT COVER		1		
080	265995-6	TAPPING SCREW 4X18		2		
082	188309-1	SCREW GUIDE SET		1		
D10		INC. 41				
083	187478-5	HOUSING SET		1		
D10		INC. 43				
084	267332-0	FLAT WASHER 26		1		
088	265995-6	TAPPING SCREW 4X18		2		
089	188310-6	GUIDE ATTACHMENT SET		1		
D10		INC. 90				
090	188310-6	GUIDE ATTACHMENT SET		1		
D10		INC. 89				
091	233567-5	TORSION SPRING 4		2		
092	268188-4	PIN 2		2		
093	310282-9	GUIDE		2		
094	125809-0	FEEDER BOX ASS'Y		1		
D10		INC. 1-3,5-19,22,23				
A01	281217-6	HOOK		1		
A02	784655-6	+BIT 2-160		3		

E01	620122-6	CONTROLLER		1		
E02	688172-7	LINE FILTER		2		
F05	194500-1	EXTENSION HANDLE SET		1		
F08-2	196235-0	BATTERY BL1815N SET	O	1		
F09-1	196449-1	BATTERY BL1815N SET	O	1		
F10-2	196449-1	BATTERY BL1815N SET	O	1		
F11	191B45-2	CASING 55 SET		1		
A03	***DC18RC	DC18RC FAST CHARGER		1		
A04	194204-5	BATTERY BL1830 SET		2	*	
A04-1	194204-5	BATTERY BL1830 SET	O	2	*	
A04-2	197600-6	BATTERY BL1830B SET	<	2	*	
A04-3	197600-6	BATTERY BL1830B SET	O	2		
A05	141352-1	PLASTIC CARRYING CASE COMPL ETE		1		
C10	163455-1	LATCH		2		
C20	419360-3	HANDLE		1		
A06	450128-8	BATTERY COVER		1		
A05	142077-0	CONNECTOR P.CASE(TYPE3) CO MP.		1		
C10	453974-8	LATCH		4		
A07	837631-0	INNER TRAY		1		
A08	803W96-6	DFR550RFJX PLASTIC CASE LABEL		2		
A09	803W99-0	DFR550RFJX INDICATION LABEL		1		
A04	196399-0	BATTERY BL1840 SET		2	*	
A04-1	196399-0	BATTERY BL1840 SET	O	2	*	
A04-2	197265-4	BATTERY BL1840B SET	<	2	*	
A04-3	197265-4	BATTERY BL1840B SET	O	2		
A08	804K97-5	DFR550RMJX PLASTIC CASE LABE L		2		
A09	804K96-7	DFR550RMJX INDICATION LABEL		1		
A04-2	197280-8	BATTERY BL1850B SET		2	*	
A04-3	197280-8	BATTERY BL1850B SET	O	2		
A08	810P82-8	DFR550RTJX PLASTIC CASE LABEL		2		
A09	810P81-0	DFR550RTJX INDICATION LABEL		1		

Please state Parts No. when your order.

Print Date 25/10/2023