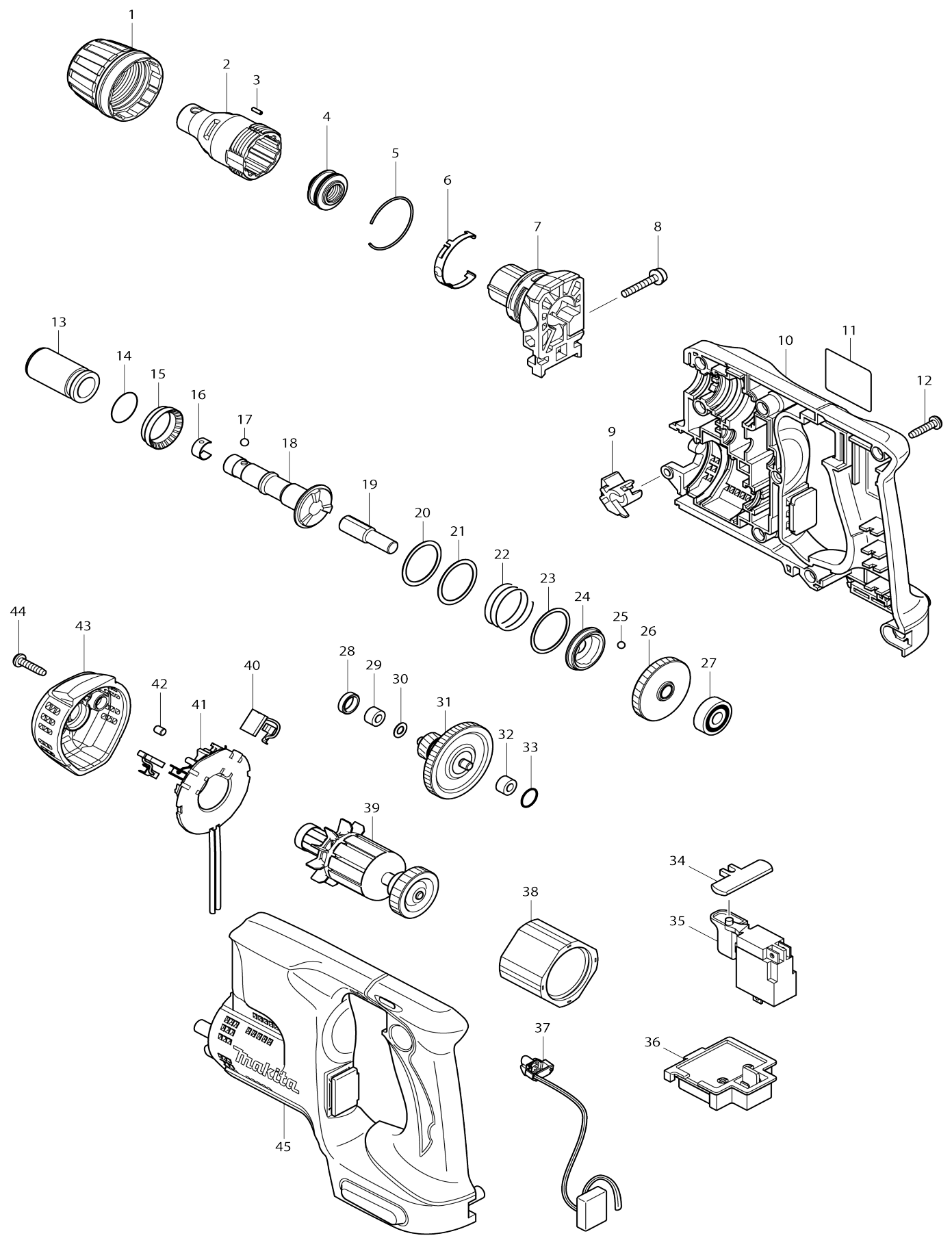


Model No.DFS440 CORDLESS SCREWDRIVER



Model No.DFS440 CORDLESS SCREWDRIVER

Item No.	Parts No.	Description	Interchangability	Q'ty	New/Old	Note1	Note2
001	450691-1	LOCK RING		1			
002	158754-4	LOCATOR S COMPLETE		1			
D10		INC. 3,4					
003	424133-1	BRAKE PIN		1			
004	424134-9	DUST SEAL RING		1			
005	233967-9	RING SPRING 33		1			
006	232245-4	LEAF SPRING		1			
007	158755-2	LOCATOR BASE COMPLETE		1			
008	911148-2	PAN HEAD SCREW M4X25		1			
009	450689-8	LIGHT HOLDER		1			
010	187475-1	HOUSING SET		1			
D10		INC. 45					
011	815V07-3	DFS440 NAME PLATE		1			
012	265995-6	TAPPING SCREW 4X18		9			
013	214174-3	PLANE BEARING 14		1			
014	213262-3	O RING 18		1			
015	421927-5	SLEEVE 20		1			
016	232050-9	LEAF SPRING		1			
017	216001-0	STEEL BALL 3.5		1			
018	324925-7	SPINDLE		1			
019	256509-2	SHOULDER PIN 8-10		1			
020	267331-2	FLAT WASHER 25		1			
021	267331-2	FLAT WASHER 25		1			
022	234017-3	COMPRESSION SPRING 25		1			
023	267332-0	FLAT WASHER 26		1			
024	223169-5	CLUTCH CAM C		1			
025	216008-6	STEEL BALL 4		3			
026	226670-9	HELICAL GEAR 48		1			
027	211034-0	BALL BEARING 608		1			
028	165115-1	RUBBER SLEEVE 10		1			
029	214017-9	PLANE BEARING 5		1			
030	253811-4	FLAT WASHER 5		1			
031	154937-4	GEAR COMPLETE 18-44		1			
032	214017-9	PLANE BEARING 5		1			
033	213055-8	O RING 10		1			
034	419304-3	F/R CHANGE LEVER		1			
035	650670-1	SWITCH TG513SBA-2		1			
036	643850-6	TERMINAL		1			
038	638426-2	YOKE UNIT		1			
039	619180-7	ARMATURE		1			
040	194427-5	CARBON BRUSH SET CB-440		1	*		
040-1	195021-6	CARBON BRUSH SET CB-440	O	1			
041	638433-5	BRUSH HOLDER COMPLETE		1			
C10	231696-8	TORSION SPRING R		1			
C20	231697-6	TORSION SPRING L		1			
042	263032-0	RUBBER PIN 4		2			
043	450692-9	FRONT COVER		1			

044	265995-6	TAPPING SCREW 4X18		2		
045	187475-1	HOUSING SET		1		
D10		INC. 10				
A01	281220-7	HOOK		1		
A02	784261-7	+BIT 2-25		2		
A03	784811-8	MAGNETIC CONNECT BIT 6.35-60		1		
E01	620123-4	CONTROLLER		1		
E02	688172-7	LINE FILTER		2		
A04	***DC18RC	DC18RC FAST CHARGER		1		
A05	194065-3	BATTERY BL1430 SET		2	*	
A05-1	194065-3	BATTERY BL1430 SET	O	2	*	
A05-2	197616-1	BATTERY BL1430B SET	<	2	*	
A05-3	197616-1	BATTERY BL1430B SET	O	2		
A06	450128-8	BATTERY COVER		1		
A07	140392-6	PLASTIC CARRYING CASE COMPLETE		1	*	
C10	417059-4	LATCH		2	*	
A07-1	824756-9	PLASTIC CARRYING CASE	O	1	*	
C10	417059-4	LATCH		2	*	
A07-2	821888-3	PLASTIC CASE	O	1		
C10	417059-4	LATCH		2		

Please state Parts No. when your order.

Print Date 10/24/2023