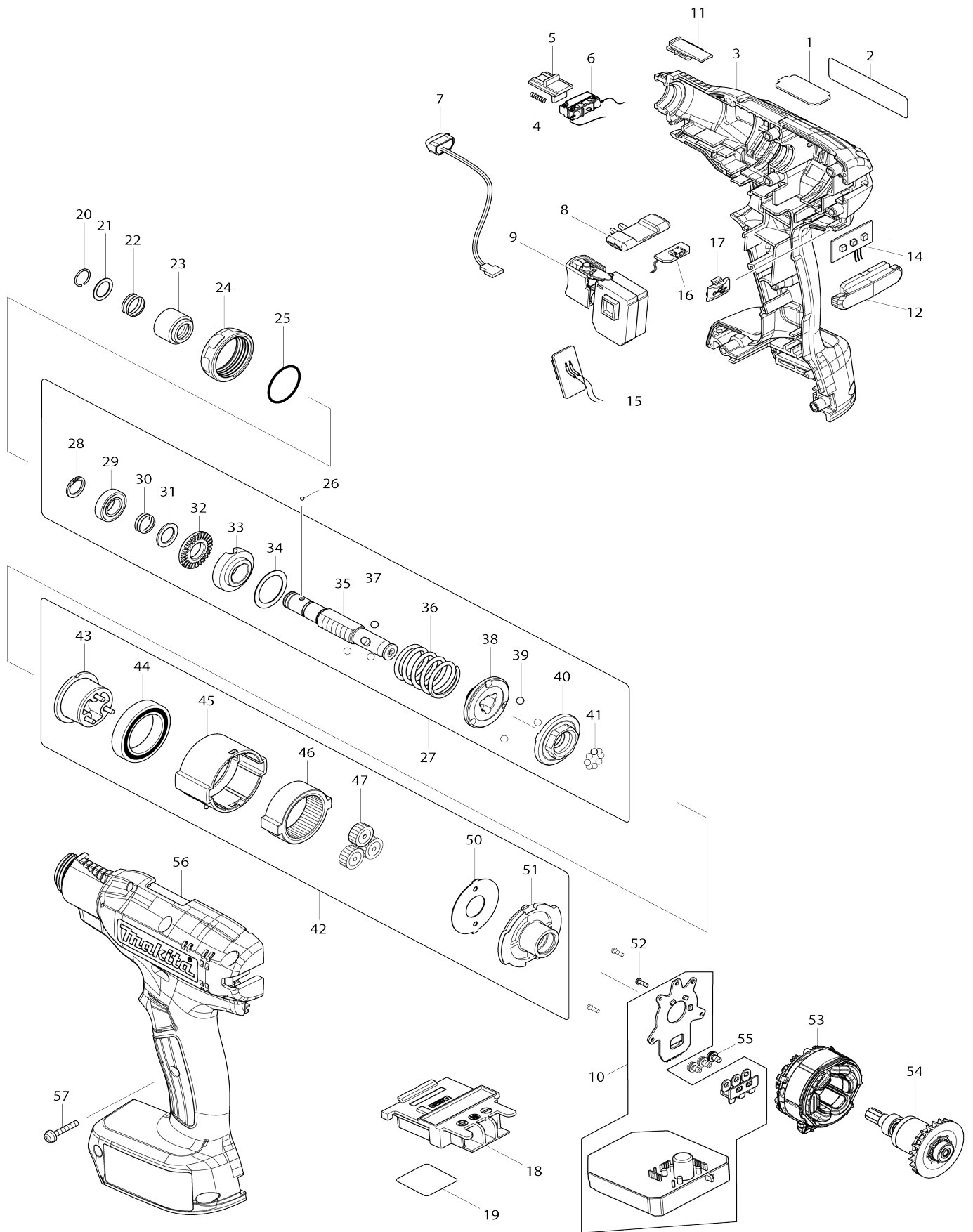


Model No. DFT023F CORDLESS SCREWDRIVER



Model No.DFT023F CORDLESS SCREWDRIVER

Item No.	Parts No.	Description	Interchangability	Q'ty	New/Old	Note1	Note2
001	345647-6	PLATE L		1			
002	853A21-5	DFT023F NAME PLATE		1			
003	183F88-2	HOUSING SET		1			
C10	263005-3	RUBBER PIN 6		2			
C20	931002-4	HEX. NUT M3		7			
D10		INC. 56					
004	233025-1	COMPRESSION SPRING 2		1			
005	457525-9	SWITCH LEVER		1	*		
005-1	458136-3	SWITCH LEVER	<	1	*		
005-2	458759-7	SWITCH LEVER	<	1			
006	632K18-5	SWITCH UNIT		1			
007	620521-2	LED CIRCUIT		1			
008	457469-3	F/R CHANGE LEVER		1			
009	651082-1	SWITCH C3JW-1B-S		1			
010	620617-9	CONTROLLER		1	*		
010-1	620855-3	CONTROLLER	<	1			
011	457526-7	CHANGE PLATE		1			
012	457484-7	LENS		1			
014	620622-6	LED CIRCUIT		1			
015	620621-8	BUZZER CIRCUIT		1			
016	620623-4	USB CIRCUIT		1			
017	144709-5	USB COVER COMPLETE		1			
018	643850-6	TERMINAL		1			
019	853A24-9	DFT023F SERIAL NO. LABEL		1			
020	233930-2	RING SPRING 9		1			
021	267070-4	FLAT WASHER 10		1			
022	232374-3	COMPRESSION SPRING 10A		1			
023	161607-8	BIT SLEEVE		1			
024	457530-6	LOCK NUT M28 BLACK		1			
025	213836-0	O-RING 22		1			
026	216015-9	STEEL BALL 2.4		2			
027	123937-5	CLUTCH ASSEMBLY 2M		1	*		
D10		INC. 28-41					
027-1	122B09-5	CLUTCH ASSEMBLY 2M R	<	1			
D10		INC. 28-41					
028	961026-6	RETAINING RING S-10		1			
029	210076-1	BALL BEARING 6800LLB		1			
030	232375-1	COMPRESSION SPRING 10B		1	*		
030-1	232656-3	COMPRESSION SPRING 11	O	1			
031	267047-9	FLAT WASHER 10		1			
032	326953-8	LOCK NUT M12		1			
033	144421-7	ADJUST RING COMPLETE		1			
034	253391-0	FLAT WASHER 18		1			
035	326944-9	SPINDLE M		1	*		
035-1	327644-4	SPINDLE M R	<	1	*		
035-2	327644-4	SPINDLE M R	O	1			
036	232372-7	COMPRESSION SPRING 18A		1			

037	216024-8	STEEL BALL 4		3		
038	223185-7	CAM A		1		
039	216024-8	STEEL BALL 4		3		
040	223186-5	CAM B		1		
041	216001-0	STEEL BALL 3.5		8		
042	123969-2	GEAR ASSEMBLY A		1		
D10		INC. 43-47,50,51				
043	144423-3	CARRIER COMPLETE A		1		
044	211375-4	BALL BEARING 6805LLB		1		
045	457529-1	GEAR CASE		1		
046	221546-5	INTERNAL GEAR 47		1		
047	227051-0	SPUR GEAR 19		3		
050	267774-8	LOCK WASHER		1		
051	418003-4	MOTOR BRACKET		1		
052	266490-9	TAPPING SCREW PT 2X6		3		
053	629261-9	STATOR		1		
054	619439-2	ROTOR		1		
055	652069-6	FLAT HEAD SCREW M3X6		3		
056	183F88-2	HOUSING SET		1		
C10	263005-3	RUBBER PIN 6		2		
C20	931002-4	HEX. NUT M3		7		
D10		INC. 3				
057	265095-2	PAN HEAD SCREW M3X20		7		
A01	661432-2	USB CABLE		1	*	

Please state Parts No. when your order.

Print Date 25/10/2023