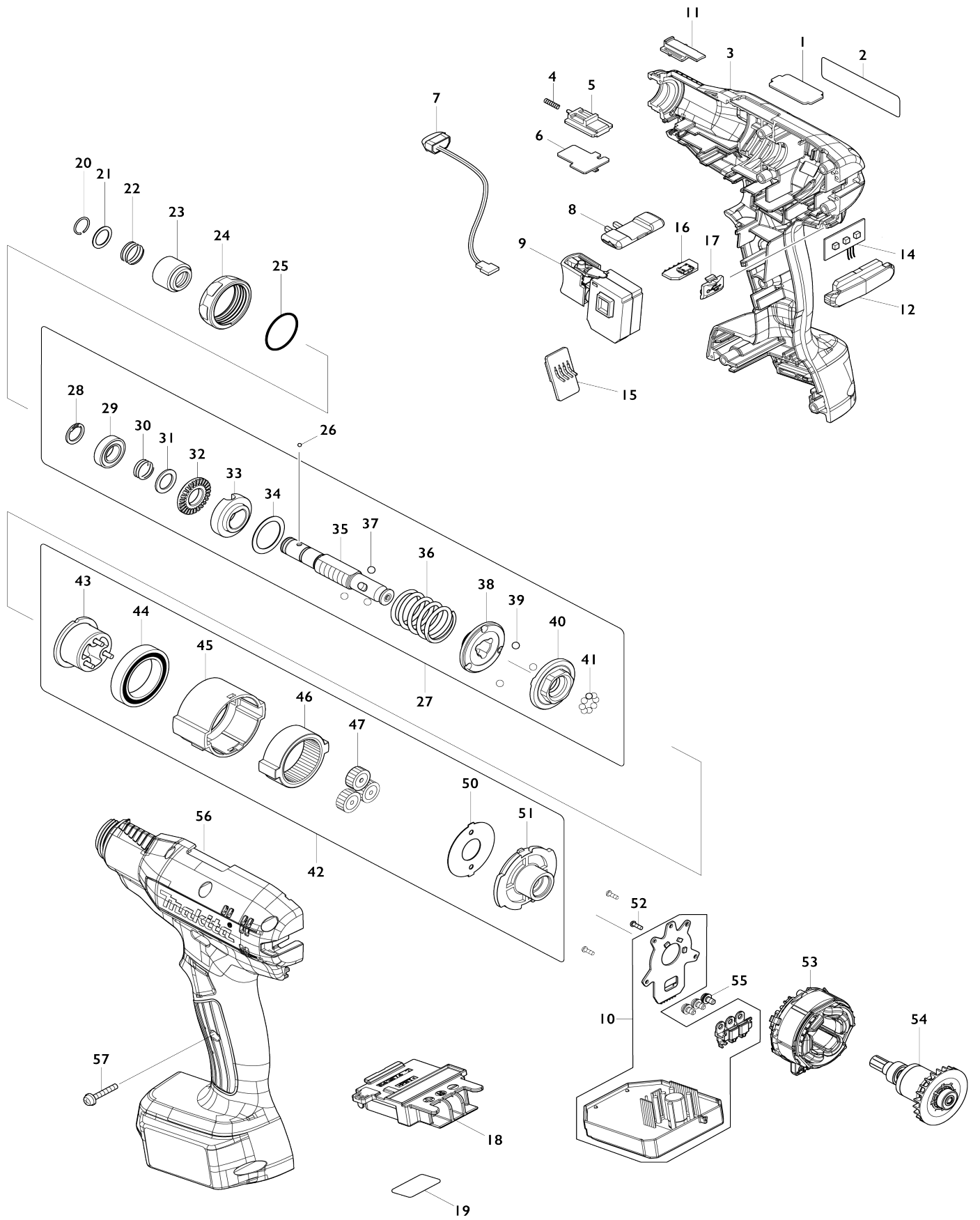


# Model No.DFT024F CORDLESS SCREWDRIVER



Model No.DFT024F CORDLESS SCREWDRIVER

| Item No. | Parts No. | Description              | Interchangability | Q'ty | New/Old | Note1 | Note2 |
|----------|-----------|--------------------------|-------------------|------|---------|-------|-------|
| 001      | 345647-6  | PLATE L                  |                   | 1    |         |       |       |
| 002      | 857U21-7  | DFT024F NAME PLATE       |                   | 1    |         |       |       |
| 003      | 183R48-6  | HOUSING SET              |                   | 1    |         |       |       |
| C10      | 263005-3  | RUBBER PIN 6             |                   | 2    |         |       |       |
| C20      | 931002-4  | HEX. NUT M3              |                   | 7    |         |       |       |
| D10      |           | INC. 56                  |                   |      |         |       |       |
| 004      | 233025-1  | COMPRESSION SPRING 2     |                   | 1    |         |       |       |
| 005      | 140U90-8  | SWITCH LEVER COMPLETE    |                   | 1    | *       |       |       |
| 005-1    | 141R28-8  | SWITCH LEVER COMPLETE    | <                 | 1    |         |       |       |
| 006      | 620D61-4  | SENSOR CIRCUIT           |                   | 1    |         |       |       |
| 007      | 620521-2  | LED CIRCUIT              |                   | 1    |         |       |       |
| 008      | 457469-3  | F/R CHANGE LEVER         |                   | 1    |         |       |       |
| 009      | 651082-1  | SWITCH C3JW-1B-S         |                   | 1    |         |       |       |
| 010      | 620D59-1  | CONTROLLER               |                   | 1    |         |       |       |
| 011      | 412712-7  | CHANGE PLATE             |                   | 1    |         |       |       |
| 012      | 457484-7  | LENS                     |                   | 1    |         |       |       |
| 014      | 620622-6  | LED CIRCUIT              |                   | 1    |         |       |       |
| 015      | 620621-8  | BUZZER CIRCUIT           |                   | 1    |         |       |       |
| 016      | 620A99-1  | USB CIRCUIT              |                   | 1    |         |       |       |
| 017      | 144709-5  | USB COVER COMPLETE       |                   | 1    |         |       |       |
| 018      | 643874-2  | TERMINAL                 |                   | 1    |         |       |       |
| 019      | 857U26-7  | DFT024F SERIAL NO. LABEL |                   | 1    |         |       |       |
| 020      | 233930-2  | RING SPRING 9            |                   | 1    |         |       |       |
| 021      | 267070-4  | FLAT WASHER 10           |                   | 1    |         |       |       |
| 022      | 232374-3  | COMPRESSION SPRING 10A   |                   | 1    |         |       |       |
| 023      | 161607-8  | BIT SLEEVE               |                   | 1    |         |       |       |
| 024      | 457530-6  | LOCK NUT M28 BLACK       |                   | 1    |         |       |       |
| 025      | 213836-0  | O-RING 22                |                   | 1    |         |       |       |
| 026      | 216015-9  | STEEL BALL 2.4           |                   | 2    |         |       |       |
| 027      | 123937-5  | CLUTCH ASSEMBLY 2M       |                   | 1    | *       |       |       |
| D10      |           | INC. 28-41               |                   |      |         |       |       |
| 027-1    | 122B09-5  | CLUTCH ASSEMBLY 2M R     | <                 | 1    |         |       |       |
| D10      |           | INC. 28-41               |                   |      |         |       |       |
| 028      | 961026-6  | RETAINING RING S-10      |                   | 1    |         |       |       |
| 029      | 210076-1  | BALL BEARING 6800LLB     |                   | 1    |         |       |       |
| 030      | 232375-1  | COMPRESSION SPRING 10B   |                   | 1    | *       |       |       |
| 030-1    | 232656-3  | COMPRESSION SPRING 11    | O                 | 1    |         |       |       |
| 031      | 267047-9  | FLAT WASHER 10           |                   | 1    |         |       |       |
| 032      | 326953-8  | LOCK NUT M12             |                   | 1    |         |       |       |
| 033      | 144421-7  | ADJUST RING COMPLETE     |                   | 1    |         |       |       |
| 034      | 253391-0  | FLAT WASHER 18           |                   | 1    |         |       |       |
| 035      | 326944-9  | SPINDLE M                |                   | 1    | *       |       |       |
| 035-1    | 327644-4  | SPINDLE M R              | <                 | 1    | *       |       |       |
| 035-2    | 327644-4  | SPINDLE M R              | O                 | 1    |         |       |       |
| 036      | 232372-7  | COMPRESSION SPRING 18A   |                   | 1    |         |       |       |
| 037      | 216024-8  | STEEL BALL 4             |                   | 3    |         |       |       |
| 038      | 223185-7  | CAM A                    |                   | 1    |         |       |       |
|          |           |                          |                   |      |         |       |       |

|     |          |                      |  |   |  |  |
|-----|----------|----------------------|--|---|--|--|
| 039 | 216024-8 | STEEL BALL 4         |  | 3 |  |  |
| 040 | 223186-5 | CAM B                |  | 1 |  |  |
| 041 | 216001-0 | STEEL BALL 3.5       |  | 8 |  |  |
| 042 | 127681-6 | GEAR ASSEMBLY N      |  | 1 |  |  |
| D10 |          | INC. 43-47,50,51     |  |   |  |  |
| 043 | 144423-3 | CARRIER COMPLETE A   |  | 1 |  |  |
| 044 | 211375-4 | BALL BEARING 6805LLB |  | 1 |  |  |
| 045 | 412713-5 | GEAR CASE            |  | 1 |  |  |
| 046 | 221546-5 | INTERNAL GEAR 47     |  | 1 |  |  |
| 047 | 227051-0 | SPUR GEAR 19         |  | 3 |  |  |
| 050 | 267774-8 | LOCK WASHER          |  | 1 |  |  |
| 051 | 418003-4 | MOTOR BRACKET        |  | 1 |  |  |
| 052 | 266490-9 | TAPPING SCREW PT 2X6 |  | 3 |  |  |
| 053 | 629A21-5 | STATOR               |  | 1 |  |  |
| 054 | 619439-2 | ROTOR                |  | 1 |  |  |
| 055 | 652069-6 | FLAT HEAD SCREW M3X6 |  | 3 |  |  |
| 056 | 183R48-6 | HOUSING SET          |  | 1 |  |  |
| C10 | 263005-3 | RUBBER PIN 6         |  | 2 |  |  |
| C20 | 931002-4 | HEX. NUT M3          |  | 7 |  |  |
| D10 |          | INC. 3               |  |   |  |  |
| 057 | 251581-9 | PAN HEAD SCREW M3X20 |  | 7 |  |  |

Please state Parts No. when your order.

Print Date 25/10/2023