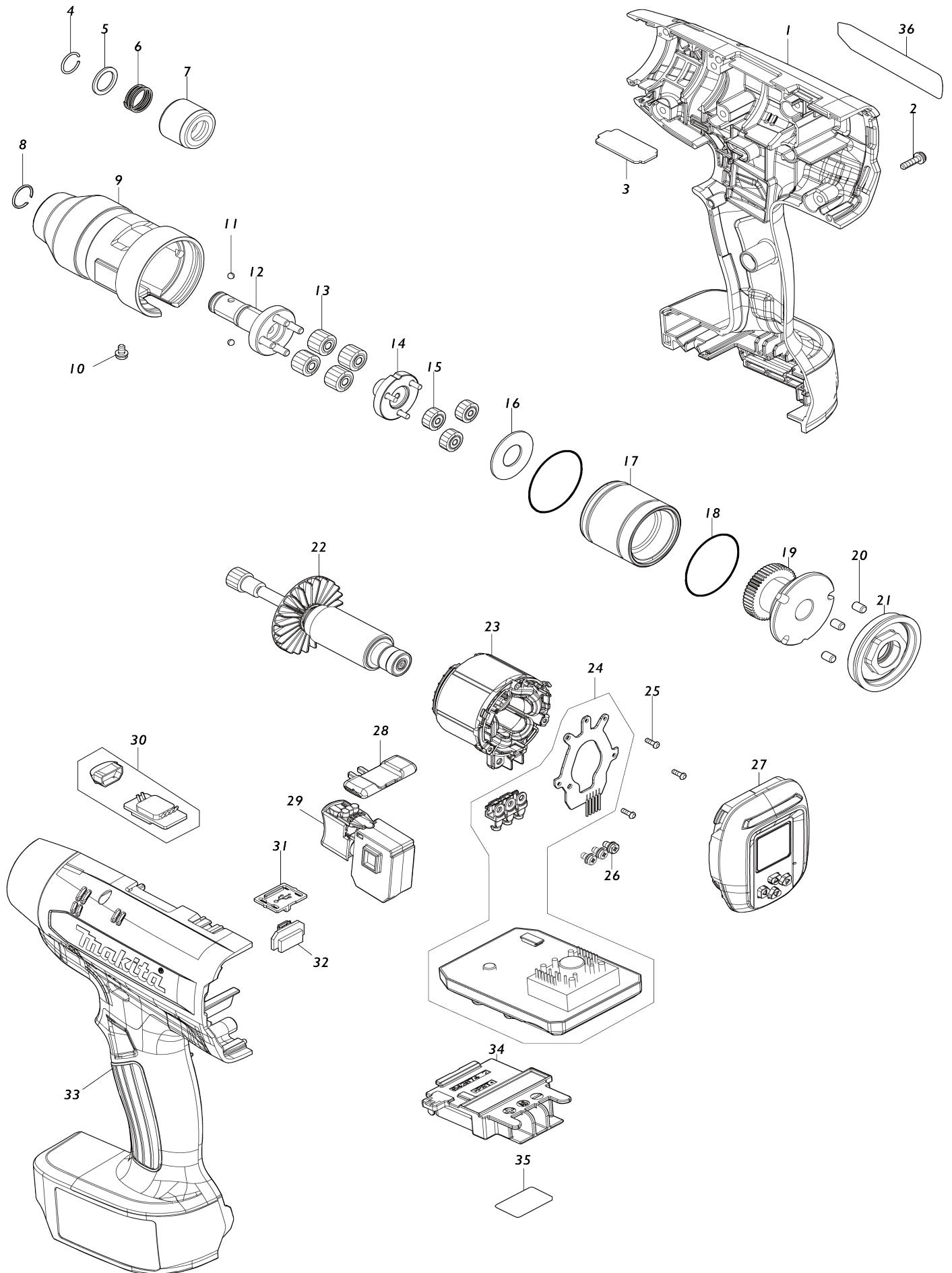


Model No.DFT060T CORDLESS SCREWDRIVER



Model No.DFT060T CORDLESS SCREWDRIVER

Item No.	Parts No.	Description	Interchangability	Q'ty	New/Old	Note1	Note2
001	183U77-7	HOUSING SET		1			
C10	263005-3	RUBBER PIN 6		2			
D10		INC. 33					
002	266816-5	+ PAN HEAD SCREW M3X12 WITH WR		10	*		
002-1	265C77-2	PAN HEAD SCREW M3X14 WITH WR	<	10			
003	347920-0	PLATE U		1			
004	231965-7	RING SPRING 10		1			
005	267143-3	FLAT WASHER 11		1			
006	233005-7	COMPRESSION SPRING 13		1			
007	162218-2	SLEEVE		1			
008	231951-8	RING SPRING 11		1			
009	141G51-7	GEAR CASE COMPLETE		1			
010	652069-6	FLAT HEAD SCREW M3X6		1			
011	216019-1	STEEL BALL 3		2			
012	141G50-9	SPINDLE M COMPLETE		1			
013	221537-6	SPUR GEAR 16		4			
014	141G47-8	SPUR GEAR 13 COMPLETE C		1			
015	227924-7	SPUR GEAR 15		3			
016	253546-7	FLAT WASHER 12		1			
017	227925-5	INTERNAL GEAR 47		1			
018	213A16-4	O-RING 30		2			
019	162B27-1	TORQUE SENSOR 6 COMPLETE		1			
020	268143-6	PIN 4		3			
021	312C39-2	BEARING BOX		1			
022	619718-8	ROTOR		1			
023	629A94-8	STATOR		1			
024	620H64-2	CONTROLLER		1	*		
024-1	620R12-1	CONTROLLER	<	1			
025	266490-9	TAPPING SCREW PT 2X6		3			
026	652069-6	FLAT HEAD SCREW M3X6		3			
027	632T10-5	DISPLAY UNIT		1			
028	457469-3	F/R CHANGE LEVER		1			
029	651082-1	SWITCH C3JW-1B-S		1			
030	620H65-0	BUZZER CIRCUIT		1			
031	413C81-7	USB COVER		1			
032	620H66-8	USB CIRCUIT		1			
033	183U77-7	HOUSING SET		1			
C10	263005-3	RUBBER PIN 6		2			
D10		INC. 1					
034	643874-2	TERMINAL		1			
035	8115F8-9	DFT060T SERIAL NO. LABEL		1			
036	8115F3-9	DFT060T NAME PLATE		1			

Please state Parts No. when your order.

Print Date 02/16/2024