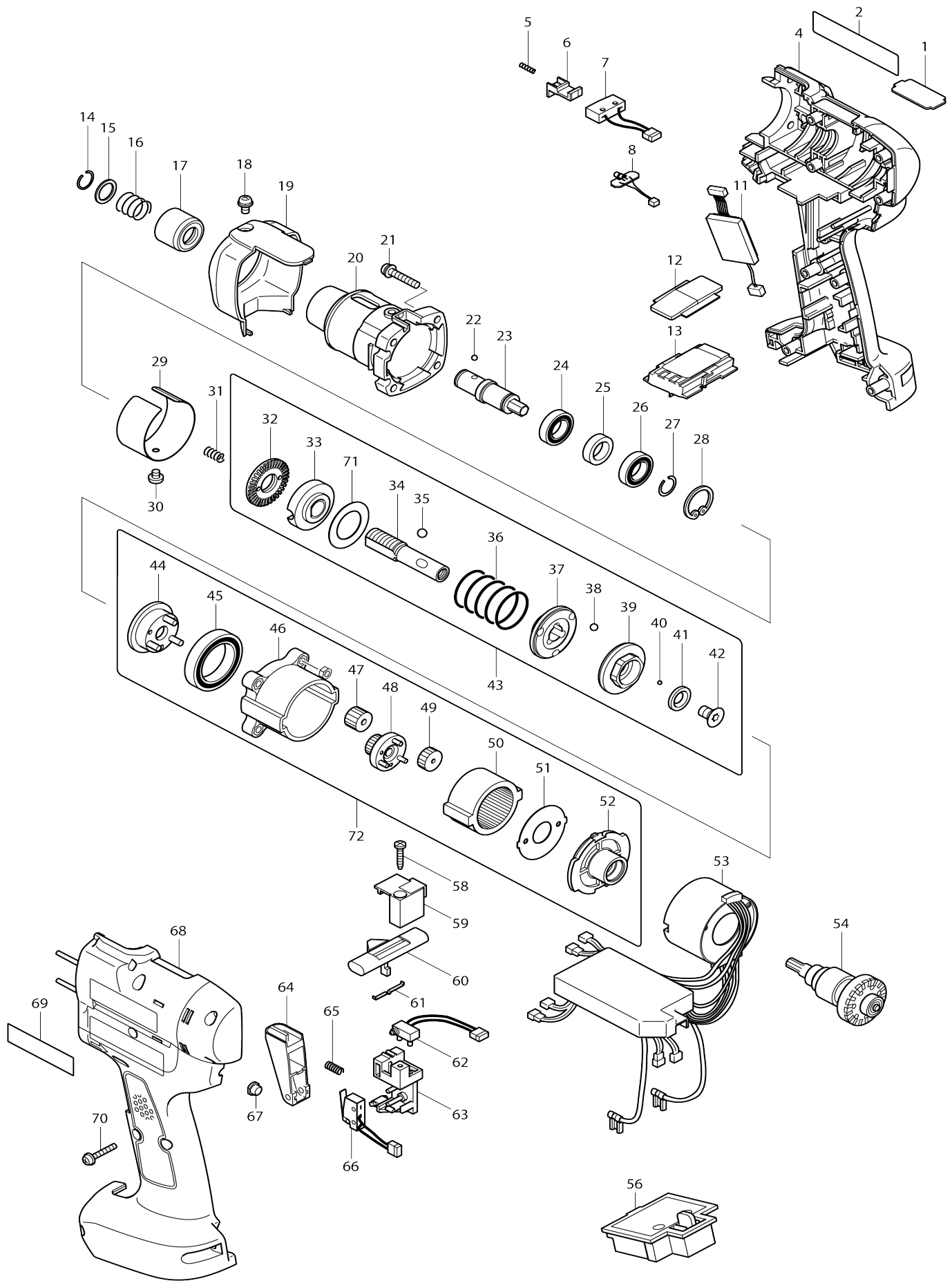


Model No. DFT082R CORDLESS SCREWDRIVER



Model No.DFT082R CORDLESS SCREWDRIVER

Item No.	Parts No.	Description	Interchangeability	Q'ty	New/Old	Note1	Note2
001	345791-9	PLATE O		1			
002	850N05-2	DFT082R NAME PLATE		1			
004	187857-7	HOUSING SET		1			
D10		INC. 68					
005	233025-1	COMPRESSION SPRING 2		1			
006	418002-6	SWITCH LEVER		1			
007	638274-9	SWITCH UNIT		1	*		
007-1	632T54-5	SWITCH UNIT	O	1			
008	631513-6	LED CIRCUIT		1			
011	631981-3	POWER SUPPLY CIRCUIT		1	*		
011-1	620A41-2	POWER SUPPLY CIRCUIT	<	1			
012	452188-6	COVER		1			
013	631717-0	RF UNIT		1			
014	231965-7	RING SPRING 10		1			
015	267143-3	FLAT WASHER 11		1			
016	233005-7	COMPRESSION SPRING 13		1			
017	162218-2	SLEEVE		1			
018	265171-2	PAN HEAD SCREW M4X8		1			
019	418289-0	CLUTCH CASE COVER		1			
020	317694-7	CLUTCH CASE		1			
021	265145-3	+ PAN HEAD SCREW M4X22		4			
022	216019-1	STEEL BALL 3		2			
023	324377-2	SPINDLE M		1			
024	211136-2	BALL BEARING 6801LLB		1			
025	257011-8	RING 12		1			
026	211136-2	BALL BEARING 6801LLB		1			
027	231951-8	RING SPRING 11		1			
028	962111-8	RETAINING RING R-21		1			
029	345793-5	RING 38 O		1			
030	265127-5	+ PAN HEAD SCREW M4X4		1			
031	233019-6	COMPRESSION SPRING 5		1	*		
031-1	232657-1	COMPRESSION SPRING 4	O	1			
032	324834-0	LOCK NUT M12		1			
033	158408-3	ADJUST RING COMPLETE		1			
034	324296-2	SPINDLE		1			
035	216018-3	STEEL BALL 5.0		3			
036	234028-8	COMPRESSION SPRING 19G		1			
037	223146-7	CAM D		1			
038	216024-8	STEEL BALL 4		3			
039	223166-1	CAM E		1			
040	216019-1	STEEL BALL 3		13			
041	267247-1	FLAT WASHER 7		1			
042	266305-0	TORX C.S HEAD SCREW M5X10		1			
043	125365-0	CLUTCH ASS'Y L		1	*		
D10		INC. 32-42,71					
043-1	125365-0	CLUTCH ASS'Y L	O	1			
D10		INC. 32-42,71					

044	153443-6	CARRIER COMPLETE A		1		
045	211375-4	BALL BEARING 6805LLB		1		
046	418004-2	GEAR CASE		1	*	
046-1	418004-2	GEAR CASE	O	1		
047	227050-2	SPUR GEAR 13		3		
048	153446-0	SPUR GEAR 20 COMPLETE		1		
049	227051-0	SPUR GEAR 19		3		
050	227048-9	INTERNAL GEAR 47		1		
051	267774-8	LOCK WASHER		1		
052	418003-4	MOTOR BRACKET		1		
053	631976-6	MOTOR CONTROL UNIT		1	*	
053-1	620866-8	MOTOR CONTROL UNIT	<	1		
054	619207-3	ROTOR		1		
056	643828-9	TERMINAL		1		
058	266130-9	TAPPING SCREW BIND PT 3X16		1		
059	418204-4	COVER		1		
060	418201-0	F/R CHANGE LEVER		1		
061	232201-4	LEAF SPRING		1		
062	638276-5	SWITCH UNIT		1	*	
062-1	632T56-1	SWITCH UNIT	O	1		
063	418202-8	SWITCH BASE		1		
064	418203-6	SWITCH LEVER A		1		
065	231397-8	COMPRESSION SPRING 4		1		
066	638275-7	SWITCH UNIT		1	*	
066-1	632T55-3	SWITCH UNIT	O	1		
067	419829-7	LENS		1		
068	187857-7	HOUSING SET		1		
D10		INC. 4				
070	265095-2	PAN HEAD SCREW M3X20		8		
071	267276-4	FLAT WASHER 18		1		
072	125191-7	GEAR ASS'Y C		1	*	
D10		INC. 44-52				
072-1	125191-7	GEAR ASS'Y C	O	1		
D10		INC. 44-52				
F10-2	194480-1	RCV02 RECEIVER SET	<	1		
F17-3	197622-6	BATTERY BL1430B SET(2PIECES)	O	1		

Please state Parts No. when your order.

Print Date 10/24/2023