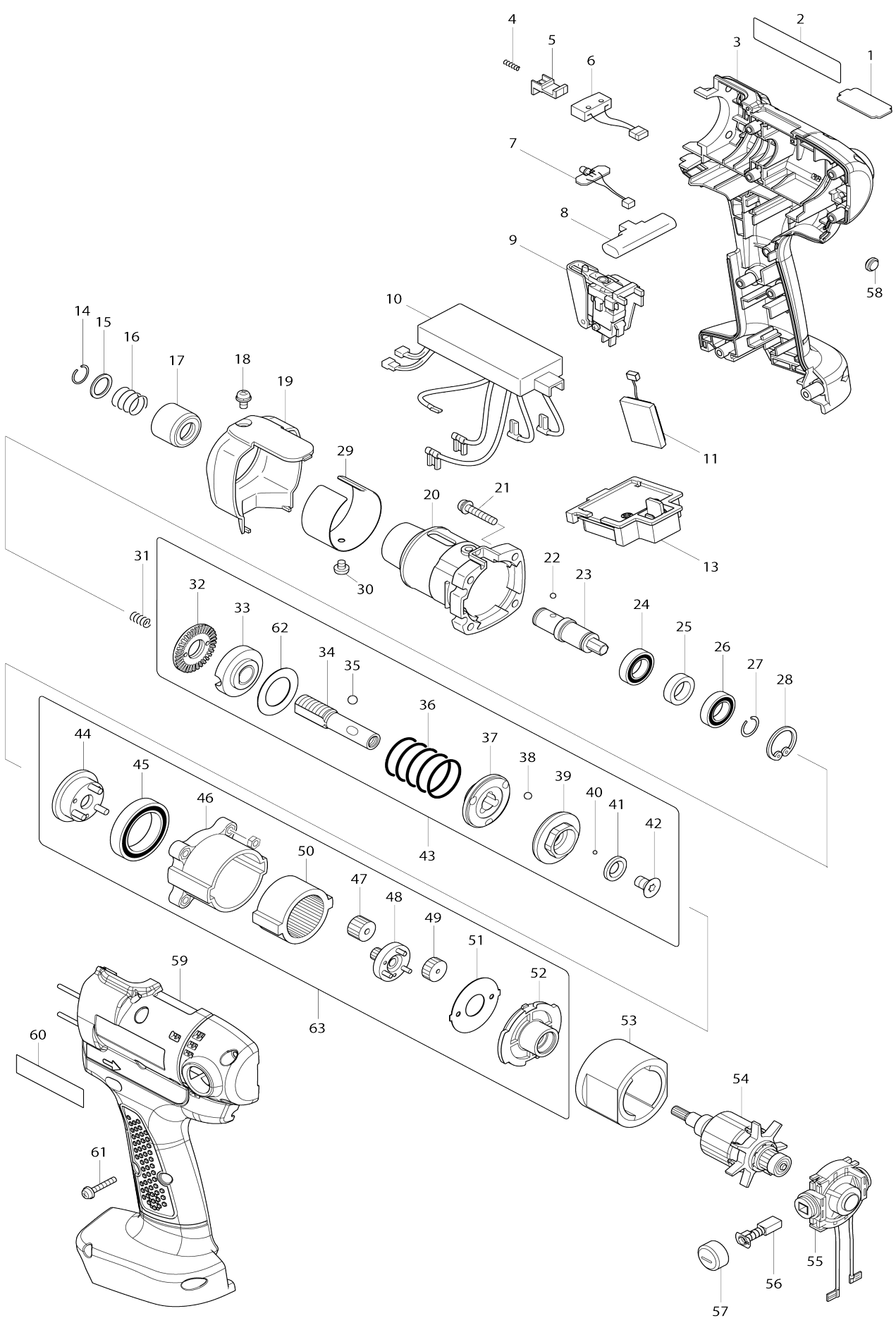


Model No. DFT084F CORDLESS SCREWDRIVER



Model No.DFT084F CORDLESS SCREWDRIVER

Item No.	Parts No.	Description	Interchangeability	Q'ty	New/Old	Note1	Note2
001	345344-4	PLATE H		1			
002	851L32-0	DFT084F NAME PLATE		1			
003	187486-6	HOUSING SET		1			
D10		INC. 59,60					
004	233025-1	COMPRESSION SPRING 2		1			
005	418002-6	SWITCH LEVER		1			
006	638274-9	SWITCH UNIT		1	*		
006-1	632T54-5	SWITCH UNIT	O	1			
007	631513-6	LED CIRCUIT		1			
008	417511-2	F/R CHANGE LEVER		1			
009	650536-5	SWITCH C3Z-5-01		1	*		
009-1	650536-5	SWITCH C3Z-5-01	O	1	*		
009-2	650536-5	SWITCH C3Z-5-01	O	1			
010	632A42-8	CONTROLLER UNIT		1	*		
C10	688161-2	LINE FILTER		1	*		
010-1	632M43-8	CONTROLLER UNIT	<	1			
C10	688161-2	LINE FILTER		1			
011	631514-4	BUZZER CIRCUIT		1			
013	643828-9	TERMINAL		1			
014	231965-7	RING SPRING 10		1			
015	267143-3	FLAT WASHER 11		1			
016	233005-7	COMPRESSION SPRING 13		1			
017	162218-2	SLEEVE		1			
018	265171-2	PAN HEAD SCREW M4X8		1			
019	418289-0	CLUTCH CASE COVER		1			
020	317694-7	CLUTCH CASE		1			
021	265145-3	+ PAN HEAD SCREW M4X22		4			
022	216019-1	STEEL BALL 3		2			
023	324377-2	SPINDLE M		1			
024	211136-2	BALL BEARING 6801LLB		1			
025	257011-8	RING 12		1			
026	211136-2	BALL BEARING 6801LLB		1			
027	231951-8	RING SPRING 11		1			
028	962111-8	RETAINING RING R-21		1			
029	345350-9	RING 38H		1			
030	265127-5	+ PAN HEAD SCREW M4X4		1			
031	233019-6	COMPRESSION SPRING 5		1	*		
031-1	232657-1	COMPRESSION SPRING 4	O	1			
032	324834-0	LOCK NUT M12		1			
033	158408-3	ADJUST RING COMPLETE		1			
034	324296-2	SPINDLE		1			
035	216018-3	STEEL BALL 5.0		3			
036	233384-3	COMPRESSION SPRING 19E		1			
037	223146-7	CAM D		1			
038	216024-8	STEEL BALL 4		3			
039	223139-4	CAM A		1			
040	216019-1	STEEL BALL 3		13			

041	267247-1	FLAT WASHER 7		1		
042	266305-0	TORX C.S HEAD SCREW M5X10		1		
043	125393-5	CLUTCH ASS'Y F		1	*	
D10		INC. 32-42,62				
043-1	125393-5	CLUTCH ASS'Y F	O	1		
D10		INC. 32-42,62				
044	153443-6	CARRIER COMPLETE A		1		
045	211375-4	BALL BEARING 6805LLB		1		
046	418004-2	GEAR CASE		1	*	
046-1	418004-2	GEAR CASE	O	1		
047	227050-2	SPUR GEAR 13		3		
048	153446-0	SPUR GEAR 20 COMPLETE		1		
049	227051-0	SPUR GEAR 19		3		
050	227048-9	INTERNAL GEAR 47		1		
051	267774-8	LOCK WASHER		1		
052	418003-4	MOTOR BRACKET		1		
053	638191-3	YOKE UNIT		1		
054	619129-7	ARMATURE		1		
055	638195-5	ENDBELL COMPLETE		1		
056	193466-2	CARBON BRUSH CB-434		1		
057	643933-2	BRUSH HOLDER CAP		2		
058	419829-7	LENS		1		
059	187486-6	HOUSING SET		1		
D10		INC. 3,60				
060	819216-4	MAKITA LOGO LABEL		1		
061	265095-2	PAN HEAD SCREW M3X20		8		
062	267276-4	FLAT WASHER 18		1		
063	125191-7	GEAR ASS'Y C		1	*	
D10		INC. 44-52				
063-1	125191-7	GEAR ASS'Y C	O	1		
D10		INC. 44-52				
A01	765027-4	TORQUE ADJUST TOOL		1	*	
F04	195231-5	ANTI KICK BACK HEAD M ASSEM BLY		1		

Please state Parts No. when your order.

Print Date 25/10/2023