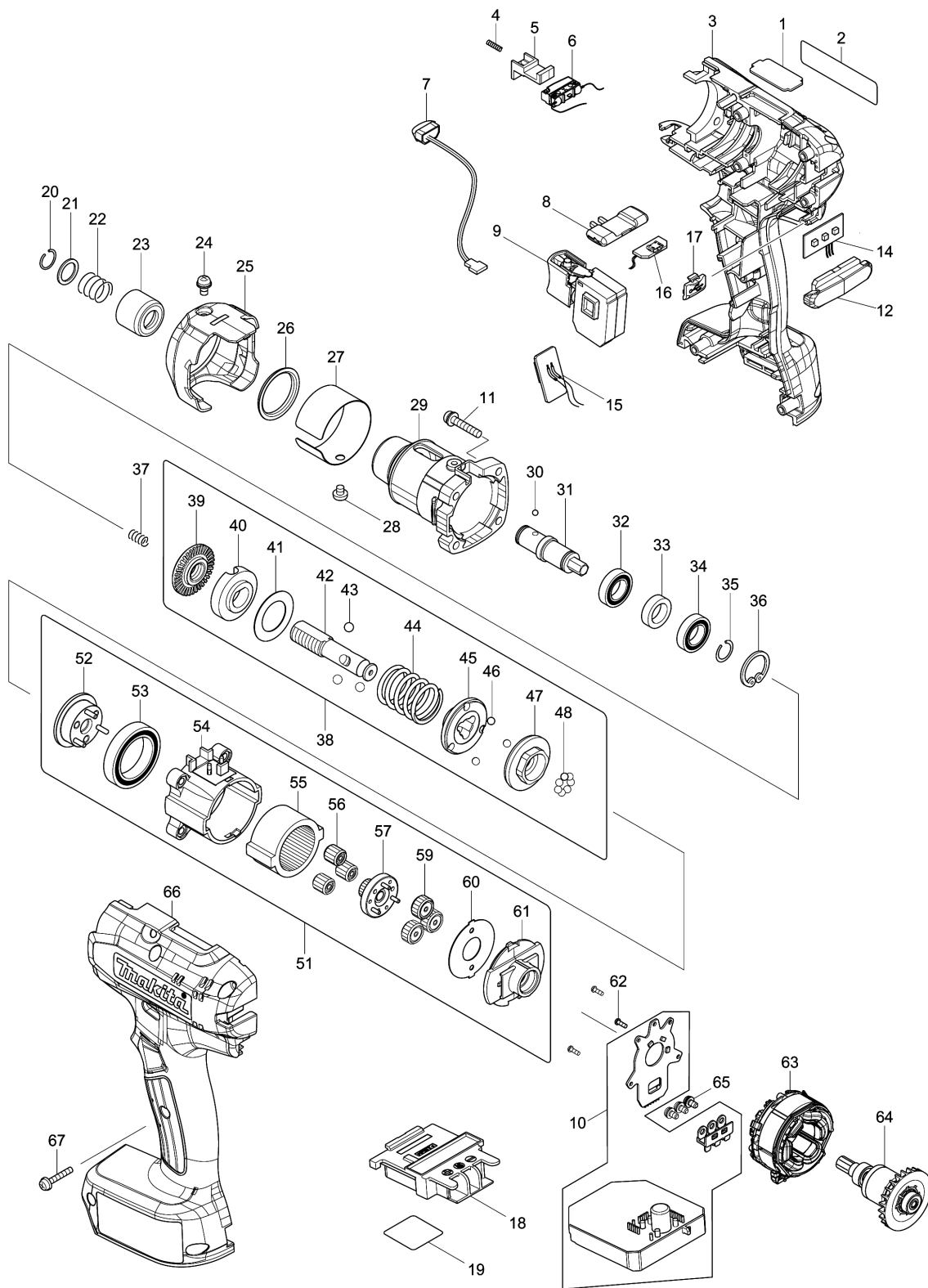


Model No.DFT086F CORDLESS SCREWDRIVER



Model No.DFT086F CORDLESS SCREWDRIVER

Item	Parts No.	Description	I/C	Qty	New/Old	Opt. 1	Opt. 2	Note
001	345344-4	PLATE H		1				
002	854M17-1	DFT086F NAME PLATE		1				
003	183G11-3	HOUSING SET		1				
C10	263005-3	RUBBER PIN 6		2				
C20	931002-4	HEX. NUT M3		7				
D10		INC. 66						
004	233025-1	COMPRESSION SPRING 2		1				
005	418002-6	SWITCH LEVER		1				
006	632K18-5	SWITCH UNIT		1				
007	620521-2	LED CIRCUIT		1				
008	457469-3	F/R CHANGE LEVER		1				
009	651082-1	SWITCH C3JW-1B-S		1				
010	620933-9	CONTROLLER		1				
011	265145-3	+ PAN HEAD SCREW M4X22		4				
012	457484-7	LENS		1				
014	620622-6	LED CIRCUIT		1				
015	620621-8	BUZZER CIRCUIT		1				
016	620623-4	USB CIRCUIT		1				
017	144709-5	USB COVER COMPLETE		1				
018	643850-6	TERMINAL		1				
019	854M18-9	DFT086F SERIAL NO. LABEL		1				
020	231965-7	RING SPRING 10		1				
021	267143-3	FLAT WASHER 11		1				
022	233005-7	COMPRESSION SPRING 13		1				
023	162218-2	SLEEVE		1				
024	265171-2	PAN HEAD SCREW M4X8		1				
025	457470-8	CLUTCH CASE COVER		1				
026	424977-9	RING 25 BRACK		1				
027	345350-9	RING 38H		1				
028	265127-5	+ PAN HEAD SCREW M4X4		1				
029	319568-8	CLUTCH CASE		1				
030	216019-1	STEEL BALL 3		2				
031	324377-2	SPINDLE M		1				
032	211136-2	BALL BEARING 6801LLB		1				
033	257011-8	RING 12		1				
034	211136-2	BALL BEARING 6801LLB		1				
035	231951-8	RING SPRING 11		1				
036	962111-8	RETAINING RING R-21		1				
037	233019-6	COMPRESSION SPRING 5		1	*			
037-1	232657-1	COMPRESSION SPRING 4	O	1				
038	126783-5	CLUTCH ASSEMBLY P		1	*			
D10		INC. 39-48			*			
038-1	122B13-4	CLUTCH ASSEMBLY P R	<	1				
D10		INC. 39-48						
039	324834-0	LOCK NUT M12		1				

Please order the parts with part number.

Print Date 24/10/2023

Model No.DFT086F CORDLESS SCREWDRIVER

Item	Parts No.	Description	I/C	Qty	New/Old	Opt. 1	Opt. 2	Note
040	158408-3	ADJUST RING COMPLETE		1				
041	267276-4	FLAT WASHER 18		1				
042	327086-2	SPINDLE		1	*			
042-1	327645-2	SPINDLE R	<	1	*			
042-2	327645-2	SPINDLE R	O	1				
043	216018-3	STEEL BALL 5.0		3				
044	233384-3	COMPRESSION SPRING 19E		1				
045	223146-7	CAM D		1				
046	216024-8	STEEL BALL 4		3				
047	223187-3	CAM F		1				
048	216024-8	STEEL BALL 4		7				
051	126752-6	GEAR ASSEMBLY I		1	*			
D10		INC. 52-57,59-61			*			
051-1	126752-6	GEAR ASSEMBLY I	O	1				
D10		INC. 52-57,59-61						
052	153443-6	CARRIER COMPLETE A		1				
053	211375-4	BALL BEARING 6805LLB		1				
054	418004-2	GEAR CASE		1	*			
054-1	418004-2	GEAR CASE	O	1				
055	227048-9	INTERNAL GEAR 47		1				
056	227050-2	SPUR GEAR 13		3				
057	153445-2	SPUR GEAR 20 COMPLETE A		1				
059	227049-7	SPUR GEAR 18		3				
060	267774-8	LOCK WASHER		1				
061	457468-5	MOTOR BRACKET		1				
062	266490-9	TAPPING SCREW PT 2X6		3				
063	629262-7	STATOR		1				
064	619442-3	ROTOR		1				
065	652069-6	FLAT HEAD SCREW M3X6		3				
066	183G11-3	HOUSING SET		1				
C10	263005-3	RUBBER PIN 6		2				
C20	931002-4	HEX. NUT M3		7				
D10		INC. 3						
067	265095-2	PAN HEAD SCREW M3X20		7				
A01	661432-2	USB CABLE		1	*			
F03	195231-5	ANTI KICK BACK HEAD M ASSEMBLY		1				

Please order the parts with part number.

Print Date 24/10/2023