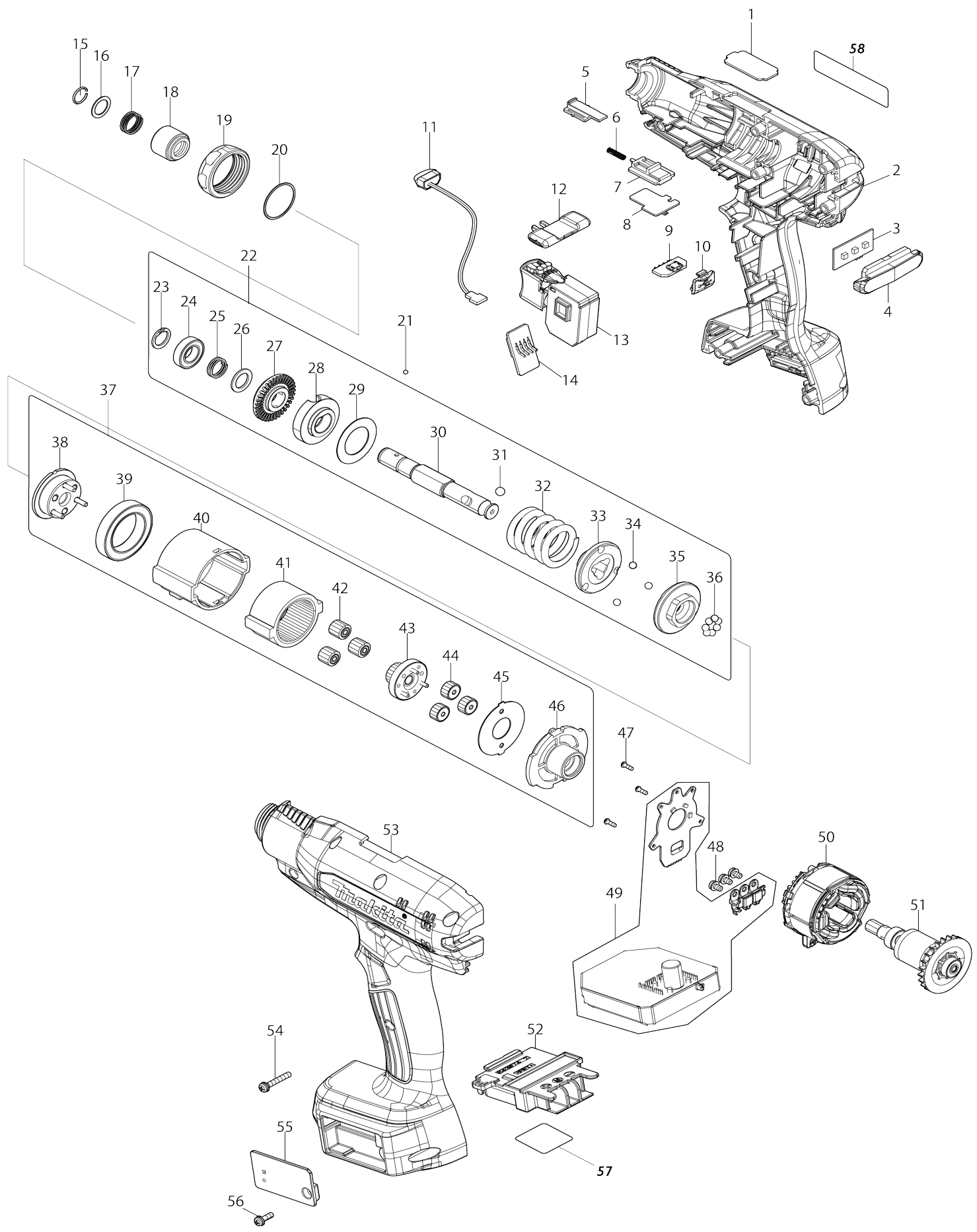


Model No. DFT087F CORDLESS SCREWDRIVER



Model No.DFT087F CORDLESS SCREWDRIVER

Item No.	Parts No.	Description	Interchangability	Q'ty	New/Old	Note1	Note2
001	345344-4	PLATE H		1			
002	183W30-5	HOUSING SET		1			
C10	263005-3	RUBBER PIN 6		2			
C20	931002-4	HEX. NUT M3		8			
D10		INC. 53					
003	620622-6	LED CIRCUIT		1			
004	457484-7	LENS		1			
005	412712-7	CHANGE PLATE		1			
006	233025-1	COMPRESSION SPRING 2		1			
007	140U90-8	SWITCH LEVER COMPLETE		1	*		
007-1	141N44-6	SWITCH LEVER COMPLETE	<	1			
008	620D61-4	SENSOR CIRCUIT		1			
009	620J83-0	USB CIRCUIT		1			
010	144709-5	USB COVER COMPLETE		1			
011	620J82-2	LED CIRCUIT		1			
012	457469-3	F/R CHANGE LEVER		1			
013	651082-1	SWITCH C3JW-1B-S		1			
014	620621-8	BUZZER CIRCUIT		1			
015	233930-2	RING SPRING 9		1			
016	267070-4	FLAT WASHER 10		1			
017	232374-3	COMPRESSION SPRING 10A		1			
018	161607-8	BIT SLEEVE		1			
019	457530-6	LOCK NUT M28 BLACK		1			
020	213836-0	O-RING 22		1			
021	216015-9	STEEL BALL 2.4		2			
022	122C82-1	CLUTCH ASSEMBLY 8MR		1			
D10		INC. 23-36					
023	961026-6	RETAINING RING S-10		1			
024	210076-1	BALL BEARING 6800LLB		1			
025	232375-1	COMPRESSION SPRING 10B		1	*		
025-1	232656-3	COMPRESSION SPRING 11	O	1			
026	267047-9	FLAT WASHER 10		1			
027	324834-0	LOCK NUT M12		1			
028	158408-3	ADJUST RING COMPLETE		1			
029	267276-4	FLAT WASHER 18		1			
030	327A31-3	SPINDLE MR		1			
031	216018-3	STEEL BALL 5.0		3			
032	233384-3	COMPRESSION SPRING 19E		1			
033	223146-7	CAM D		1			
034	216024-8	STEEL BALL 4		3			
035	223187-3	CAM F		1			
036	216024-8	STEEL BALL 4		7			
037	136814-2	GEAR ASSEMBLY		1	*		
D10		INC. 38-46					
037-1	137139-7	GEAR ASSEMBLY	<	1			
D10		INC. 38-46					
038	153443-6	CARRIER COMPLETE A		1	*		

038-1	1410C7-9	CARRIER COMPLETE A	<	1		
039	211375-4	BALL BEARING 6805LLB		1		
040	413J94-0	GEAR CASE		1		
041	227048-9	INTERNAL GEAR 47		1		
042	227050-2	SPUR GEAR 13		3		
043	153445-2	SPUR GEAR 20 COMPLETE A		1		
044	227049-7	SPUR GEAR 18		3		
045	267774-8	LOCK WASHER		1		
046	418003-4	MOTOR BRACKET		1		
047	266490-9	TAPPING SCREW PT 2X6		3		
048	652069-6	FLAT HEAD SCREW M3X6		3		
049	620J80-6	CONTROLLER		1		
050	629B33-4	STATOR		1		
051	619442-3	ROTOR		1		
052	643874-2	TERMINAL		1		
053	183W30-5	HOUSING SET		1		
C10	263005-3	RUBBER PIN 6		2		
C20	931002-4	HEX. NUT M3		8		
D10		INC. 2				
054	251581-9	PAN HEAD SCREW M3X20		8		
057	858T32-9	DFT087F SERIAL NO. LABEL		1		
058	858T27-2	DFT087F NAME PLATE		1		
002	183W31-3	HOUSING SET		1		
049	620N36-3	CONTROLLER		1		
053	183W31-3	HOUSING SET		1		
055	412358-9	COVER		1		
056	911013-5	PAN HEAD SCREW M3X10		1		

Please state Parts No. when your order.

Print Date 02/16/2024