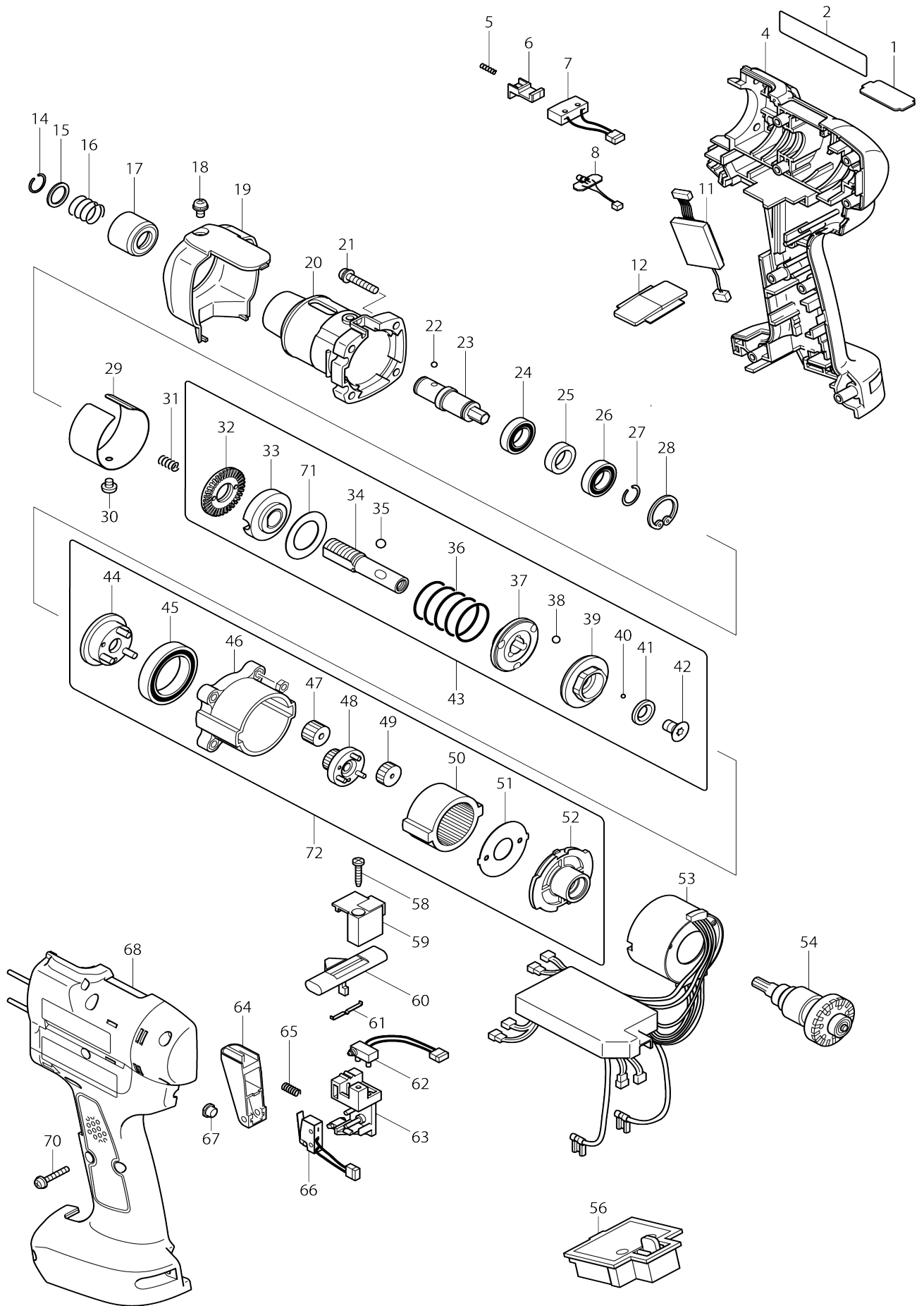


Model No. DFT124F CORDLESS SCREWDRIVER



Model No.DFT124F CORDLESS SCREWDRIVER

Item No.	Parts No.	Description	Interchangability	Q'ty	New/Old	Note1	Note2
001	345345-2	PLATE I		1			
002	850N07-8	DFT124F NAME PLATE		1			
004	187858-5	HOUSING SET		1			
D10		INC. 68					
005	233025-1	COMPRESSION SPRING 2		1			
006	418002-6	SWITCH LEVER		1			
007	638274-9	SWITCH UNIT		1	*		
007-1	632T54-5	SWITCH UNIT	O	1			
008	631513-6	LED CIRCUIT		1			
011	631756-0	POWER SUPPLY UNIT		1			
012	452189-4	COVER		1			
014	231965-7	RING SPRING 10		1			
015	267143-3	FLAT WASHER 11		1			
016	233005-7	COMPRESSION SPRING 13		1			
017	162218-2	SLEEVE		1			
018	265171-2	PAN HEAD SCREW M4X8		1			
019	418289-0	CLUTCH CASE COVER		1			
020	317694-7	CLUTCH CASE		1			
021	265145-3	+ PAN HEAD SCREW M4X22		4			
022	216019-1	STEEL BALL 3		2			
023	324377-2	SPINDLE M		1			
024	211136-2	BALL BEARING 6801LLB		1			
025	257011-8	RING 12		1			
026	211136-2	BALL BEARING 6801LLB		1			
027	231951-8	RING SPRING 11		1			
028	962111-8	RETAINING RING R-21		1			
029	345351-7	RING 38I		1			
030	265127-5	+ PAN HEAD SCREW M4X4		1			
031	233019-6	COMPRESSION SPRING 5		1	*		
031-1	232657-1	COMPRESSION SPRING 4	O	1			
032	324834-0	LOCK NUT M12		1			
033	158408-3	ADJUST RING COMPLETE		1			
034	324296-2	SPINDLE		1			
035	216018-3	STEEL BALL 5.0		3			
036	233358-4	COMPRESSION SPRING 19C		1			
037	223146-7	CAM D		1			
038	216024-8	STEEL BALL 4		3			
039	223139-4	CAM A		1			
040	216019-1	STEEL BALL 3		13			
041	267247-1	FLAT WASHER 7		1			
042	266305-0	TORX C.S HEAD SCREW M5X10		1			
043	125394-3	CLUTCH ASS'Y G		1	*		
D10		INC. 32-42,71					
043-1	125394-3	CLUTCH ASS'Y G	O	1			
D10		INC. 32-42,71					
044	153444-4	CARRIER COMPLETE B		1			
045	211375-4	BALL BEARING 6805LLB		1			

046	418004-2	GEAR CASE		1	*		
046-1	418004-2	GEAR CASE	O	1			
047	227052-8	SPUR GEAR 18		3			
048	153447-8	SPUR GEAR 9 COMPLETE A		1			
049	227049-7	SPUR GEAR 18		3			
050	227048-9	INTERNAL GEAR 47		1			
051	267774-8	LOCK WASHER		1			
052	418003-4	MOTOR BRACKET		1			
053	631987-1	MOTOR CONTROL UNIT		1	*		
053-1	620865-0	MOTOR CONTROL UNIT	<	1			
054	619208-1	ROTOR		1			
056	643828-9	TERMINAL		1			
058	266130-9	TAPPING SCREW BIND PT 3X16		1			
059	418204-4	COVER		1			
060	418201-0	F/R CHANGE LEVER		1			
061	232201-4	LEAF SPRING		1			
062	638276-5	SWITCH UNIT		1	*		
062-1	632T56-1	SWITCH UNIT	O	1			
063	418202-8	SWITCH BASE		1			
064	418203-6	SWITCH LEVER A		1			
065	231397-8	COMPRESSION SPRING 4		1			
066	638275-7	SWITCH UNIT		1	*		
066-1	632T55-3	SWITCH UNIT	O	1			
067	419829-7	LENS		1			
068	187858-5	HOUSING SET		1			
D10		INC. 4					
070	265095-2	PAN HEAD SCREW M3X20		8			
071	267276-4	FLAT WASHER 18		1			
072	125190-9	GEAR ASSEMBLY B		1	*		
D10		INC. 44-52					
072-1	125190-9	GEAR ASSEMBLY B	O	1			
D10		INC. 44-52					
F04	195231-5	ANTI KICK BACK HEAD M ASSEMBLY		1			

Please state Parts No. when your order.

Print Date 25/10/2023