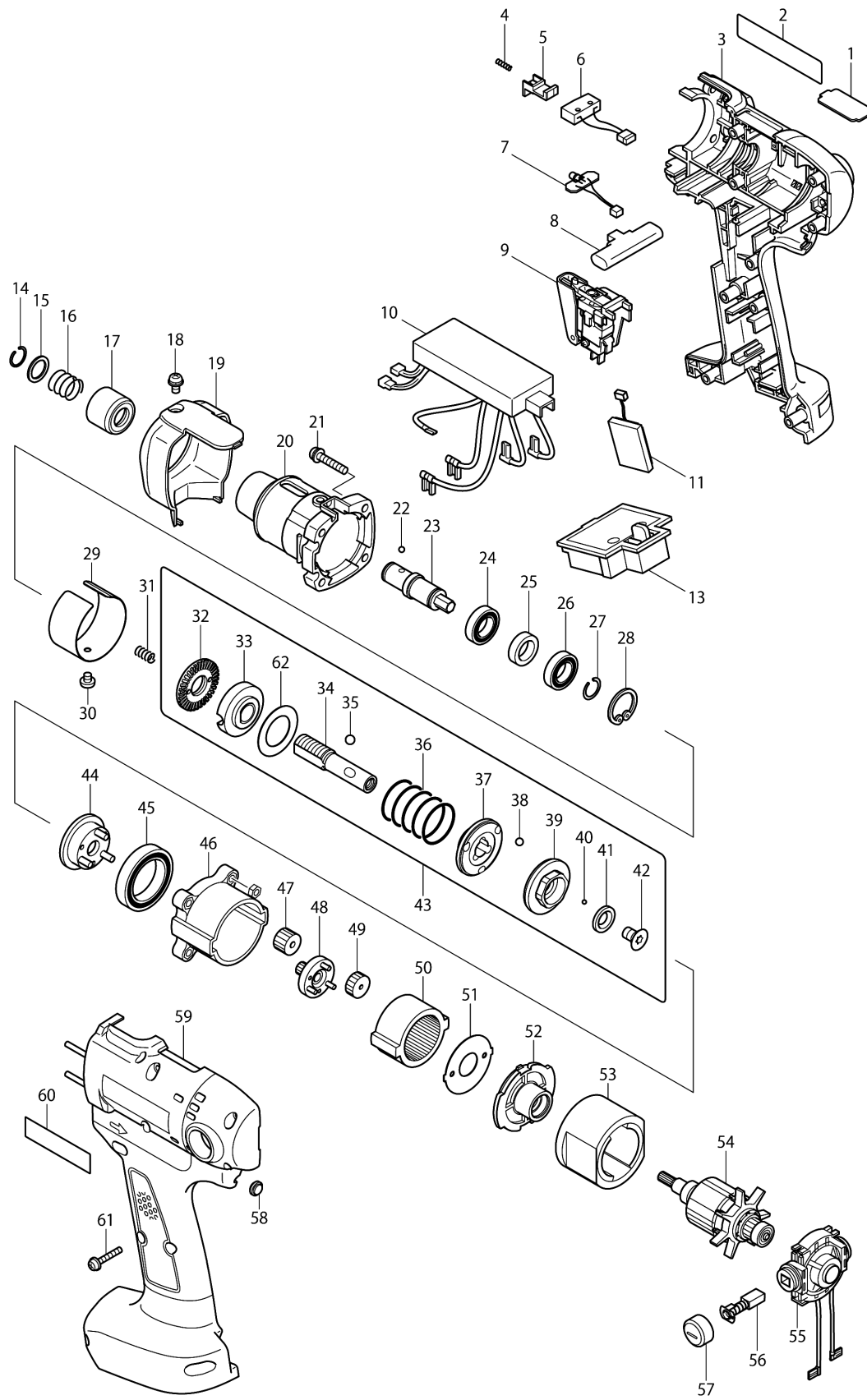


Model No.DFT125F CORDLESS SCREWDRIVER



Model No.DFT125F CORDLESS SCREWDRIVER

Item	Parts No.	Description	I/C	Qty	New/Old	Opt. 1	Opt. 2	Note
001	345345-2	PLATE I		1				
002	850N09-4	DFT125F NAME PLATE		1				
003	187486-6	HOUSING SET		1				
D10		INC. 59,60						
004	233025-1	COMPRESSION SPRING 2		1				
005	418002-6	SWITCH LEVER		1				
006	638274-9	SWITCH UNIT		1	*			
006-1	632T54-5	SWITCH UNIT	O	1				
007	631513-6	LED CIRCUIT		1				
008	417511-2	F/R CHANGE LEVER		1				
009	650536-5	SWITCH C3Z-5-01		1	*			
009-1	650536-5	SWITCH C3Z-5-01	O	1	*			
009-2	650536-5	SWITCH C3Z-5-01	O	1				
010	638904-2	CONTROLLER UNIT		1	*			
010-1	632M41-2	CONTROLLER UNIT	<	1				
011	631514-4	BUZZER CIRCUIT		1				
013	643828-9	TERMINAL		1				
014	231965-7	RING SPRING 10		1				
015	267143-3	FLAT WASHER 11		1				
016	233005-7	COMPRESSION SPRING 13		1				
017	162218-2	SLEEVE		1				
018	265171-2	PAN HEAD SCREW M4X8		1				
019	418289-0	CLUTCH CASE COVER		1				
020	317694-7	CLUTCH CASE		1				
021	265145-3	+ PAN HEAD SCREW M4X22		4				
022	216019-1	STEEL BALL 3		2				
023	324377-2	SPINDLE M		1				
024	211136-2	BALL BEARING 6801LLB		1				
025	257011-8	RING 12		1				
026	211136-2	BALL BEARING 6801LLB		1				
027	231951-8	RING SPRING 11		1				
028	962111-8	RETAINING RING R-21		1				
029	345351-7	RING 38I		1				
030	265127-5	+ PAN HEAD SCREW M4X4		1				
031	233019-6	COMPRESSION SPRING 5		1	*			
031-1	232657-1	COMPRESSION SPRING 4	O	1				
032	324834-0	LOCK NUT M12		1				
033	158408-3	ADJUST RING COMPLETE		1				
034	324296-2	SPINDLE		1				
035	216018-3	STEEL BALL 5.0		3				
036	233358-4	COMPRESSION SPRING 19C		1				
037	223146-7	CAM D		1				
038	216024-8	STEEL BALL 4		3				
039	223139-4	CAM A		1				
040	216019-1	STEEL BALL 3		13				

Please order the parts with part number.

Print Date 27/12/2023

Model No.DFT125F CORDLESS SCREWDRIVER

Item	Parts No.	Description	I/C	Qty	New/Old	Opt. 1	Opt. 2	Note
041	267247-1	FLAT WASHER 7		1				
042	266305-0	TORX C.S HEAD SCREW M5X10		1				
043	125394-3	CLUTCH ASS'Y G		1	*			
D10		INC. 32-42,62			*			
043-1	125394-3	CLUTCH ASS'Y G	O	1				
D10		INC. 32-42,62						
044	153444-4	CARRIER COMPLETE B		1				
045	211375-4	BALL BEARING 6805LLB		1				
046	418004-2	GEAR CASE		1	*			
046-1	418004-2	GEAR CASE	O	1				
047	227052-8	SPUR GEAR 18		3				
048	153448-6	SPUR GEAR 9 COMPLETE B		1				
049	227051-0	SPUR GEAR 19		3				
050	227048-9	INTERNAL GEAR 47		1				
051	267774-8	LOCK WASHER		1				
052	418003-4	MOTOR BRACKET		1				
053	638191-3	YOKE UNIT		1				
054	619267-5	ARMATURE		1				
055	638195-5	ENDBELL COMPLETE		1				
056	193466-2	CARBON BRUSH CB-434		1	*			
056-1	195020-8	CARBON BRUSH CB-434	O	1				
057	643933-2	BRUSH HOLDER CAP		2				
058	419829-7	LENS		1				
059	187486-6	HOUSING SET		1				
D10		INC. 3,60						
060	819216-4	MAKITA LOGO LABEL		1				
061	265095-2	PAN HEAD SCREW M3X20		8				
062	267276-4	FLAT WASHER 18		1				
063	125192-5	GEAR ASS'Y D		1	*			
D10		INC. 44-52			*			
063-1	125192-5	GEAR ASS'Y D	O	1				
D10		INC. 44-52						
F02	195231-5	ANTI KICK BACK HEAD M ASSEMBLY		1				

Please order the parts with part number.

Print Date 27/12/2023