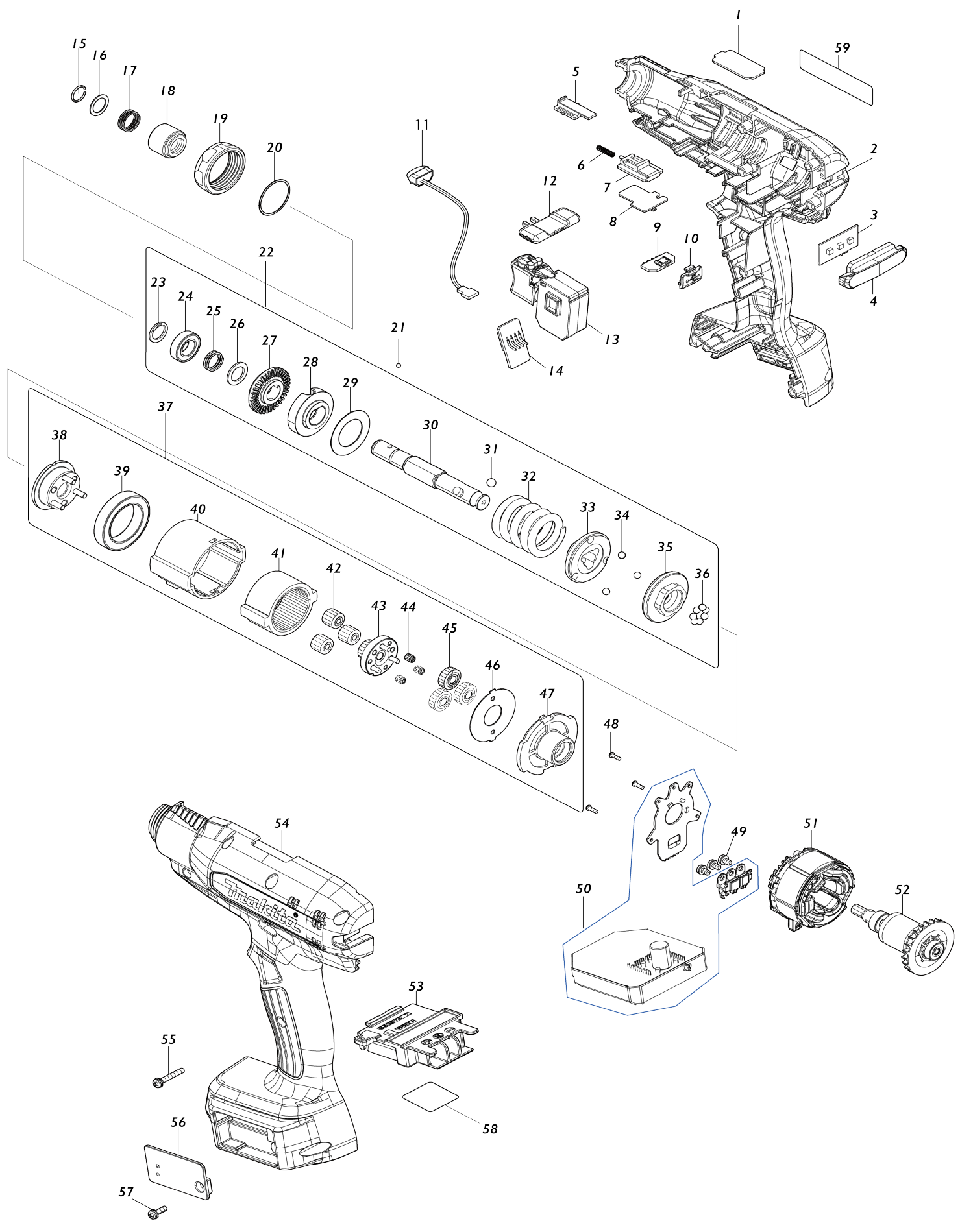


Model No. DFT129F CORDLESS SCREWDRIVER



Model No.DFT129F CORDLESS SCREWDRIVER

Item No.	Parts No.	Description	Interchangability	Q'ty	New/Old	Note1	Note2
001	345345-2	PLATE I		1			
002	183W30-5	HOUSING SET		1			
C10	263005-3	RUBBER PIN 6		2			
C20	931002-4	HEX. NUT M3		8			
D10		INC. 54					
003	620622-6	LED CIRCUIT		1			
004	457484-7	LENS		1			
005	412712-7	CHANGE PLATE		1			
006	233025-1	COMPRESSION SPRING 2		1			
007	140U90-8	SWITCH LEVER COMPLETE		1	*		
007-1	141N44-6	SWITCH LEVER COMPLETE	<	1			
008	620D61-4	SENSOR CIRCUIT		1			
009	620J83-0	USB CIRCUIT		1			
010	144709-5	USB COVER COMPLETE		1			
011	620J82-2	LED CIRCUIT		1			
012	457469-3	F/R CHANGE LEVER		1			
013	651082-1	SWITCH C3JW-1B-S		1			
014	620621-8	BUZZER CIRCUIT		1			
015	233930-2	RING SPRING 9		1			
016	267070-4	FLAT WASHER 10		1			
017	232374-3	COMPRESSION SPRING 10A		1			
018	161607-8	BIT SLEEVE		1			
019	457530-6	LOCK NUT M28 BLACK		1			
020	213836-0	O-RING 22		1			
021	216015-9	STEEL BALL 2.4		2			
022	122C84-7	CLUTCH ASSEMBLY 12MR		1			
D10		INC. 23-36					
023	961026-6	RETAINING RING S-10		1			
024	210076-1	BALL BEARING 6800LLB		1			
025	232375-1	COMPRESSION SPRING 10B		1	*		
025-1	232656-3	COMPRESSION SPRING 11	O	1			
026	267047-9	FLAT WASHER 10		1			
027	324834-0	LOCK NUT M12		1			
028	158408-3	ADJUST RING COMPLETE		1			
029	267276-4	FLAT WASHER 18		1			
030	327A31-3	SPINDLE MR		1			
031	216018-3	STEEL BALL 5.0		3			
032	233358-4	COMPRESSION SPRING 19C		1			
033	223146-7	CAM D		1			
034	216024-8	STEEL BALL 4		3			
035	223187-3	CAM F		1			
036	216024-8	STEEL BALL 4		7			
037	136815-0	GEAR ASSEMBLY		1			
D10		INC. 38-47					
038	144382-1	CARRIER COMPLETE C		1			
039	211375-4	BALL BEARING 6805LLB		1			
040	413J94-0	GEAR CASE		1			

041	227048-9	INTERNAL GEAR 47		1		
042	221539-2	SPUR GEAR 14		3		
043	144933-0	SPUR GEAR 17 COMPLETE B		1		
044	212194-1	NEEDLE CAGE 205		3		
045	221540-7	SPUR GEAR 19		3		
046	267774-8	LOCK WASHER		1		
047	418003-4	MOTOR BRACKET		1		
048	266490-9	TAPPING SCREW PT 2X6		3		
049	652069-6	FLAT HEAD SCREW M3X6		3		
050	620J81-4	CONTROLLER		1		
051	629B33-4	STATOR		1		
052	619443-1	ROTOR		1		
053	643874-2	TERMINAL		1		
054	183W30-5	HOUSING SET		1		
C10	263005-3	RUBBER PIN 6		2		
C20	931002-4	HEX. NUT M3		8		
D10		INC. 2				
055	251581-9	PAN HEAD SCREW M3X20		8		
058	858T48-4	DFT129F SERIAL NO. LABEL		1		
059	858T43-4	DFT129F NAME PLATE		1		

Please state Parts No. when your order.

Print Date 10/24/2023