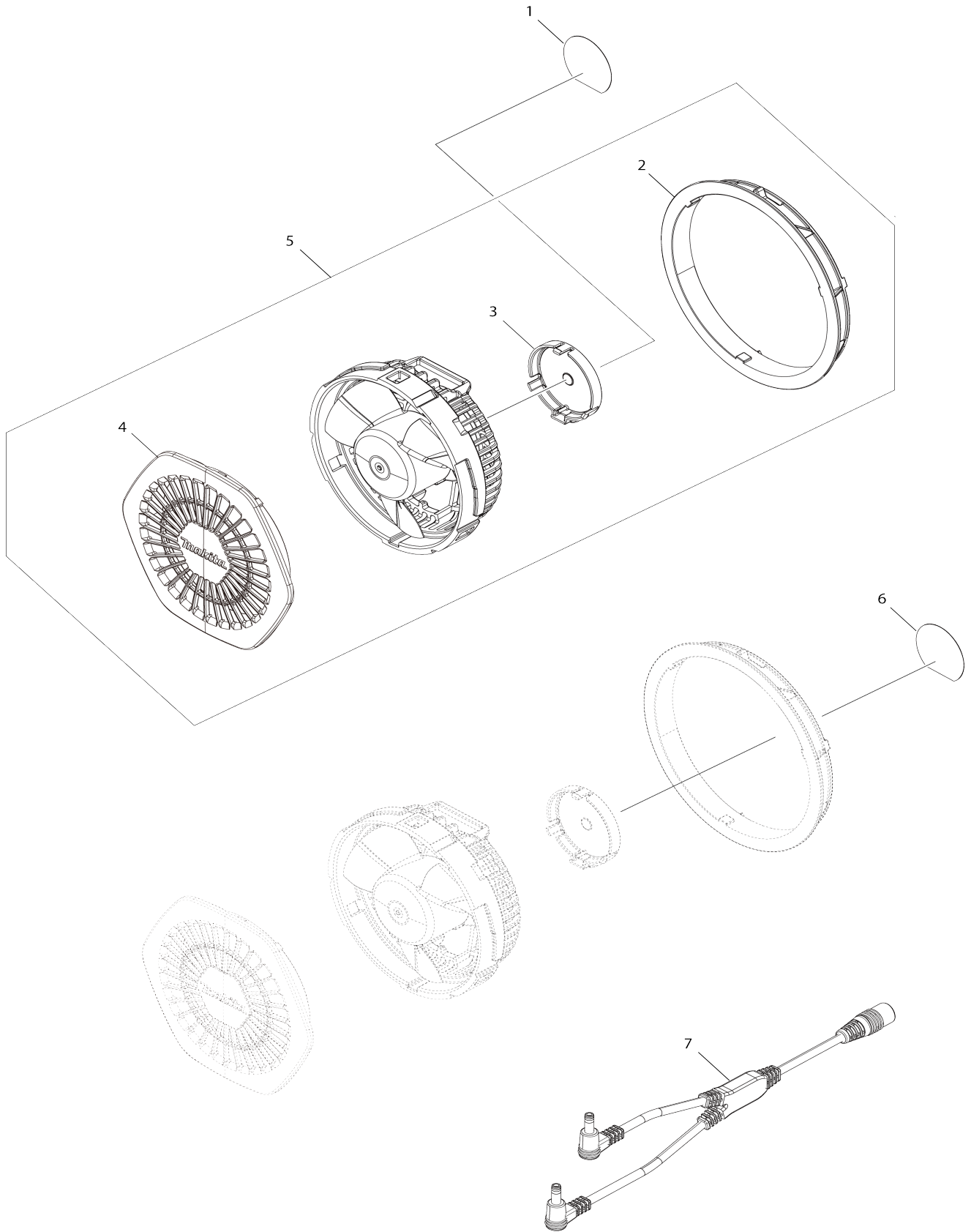


Model No.DFV210 CORDLESS FAN VEST



Model No.DFV210 CORDLESS FAN VEST

| Item No. | Parts No. | Description | Interchangability | Q'ty | New/Old | Note1 | Note2 |
|----------|-----------|----------------------------|-------------------|------|---------|-------|-------|
| 001 | 854R15-5 | DFV210 SERIAL NO. LABEL | | 1 | | | |
| 002 | 457875-2 | LOCK RING | | 1 | | | |
| 003 | 458686-8 | MOTOR COVER | | 1 | | | |
| 004 | 458685-0 | FAN COVER | | 1 | | | |
| 005 | 126972-2 | FAN UNIT ASSEMBLY | | 2 | | | |
| D10 | | INC. 2-4 | | | | | |
| 006 | 854P59-3 | DFV210 NAME PLATE | | 1 | | | |
| 007 | 661752-4 | CABLE UNIT | | 1 | | | |
| F01 | 198634-2 | BATTERY HOLDER SET FOR LXT | | 1 | | | |
| F02 | 198639-2 | BATTERY HOLDER SET FOR CXT | | 1 | | | |
| F03 | 198641-5 | FILTER SET(EU) | | 1 | | | |
| F05 | 198643-1 | FILTER (20 PCS)(EU) | | 1 | | | |

Please state Parts No. when your order.

Print Date 25/10/2023