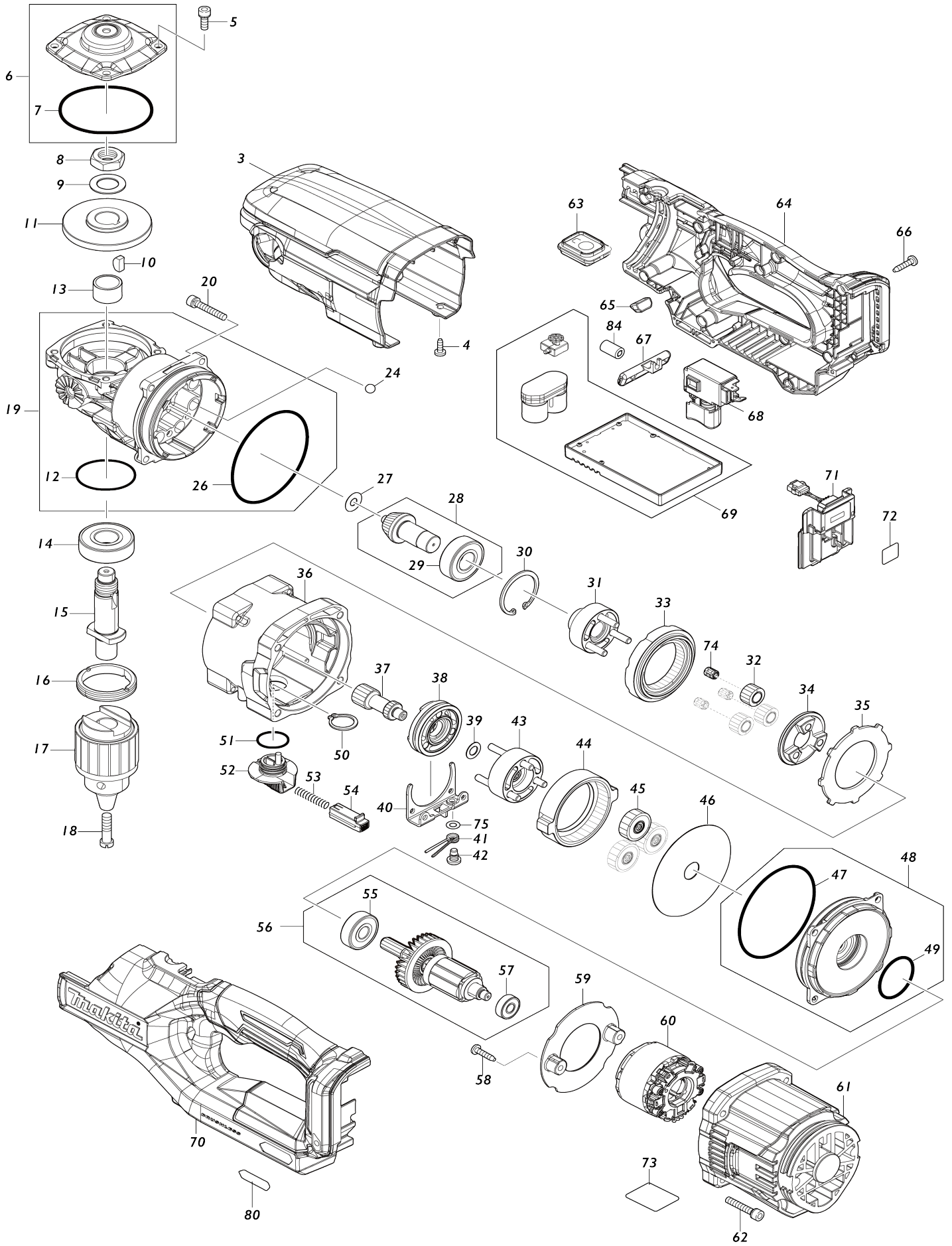
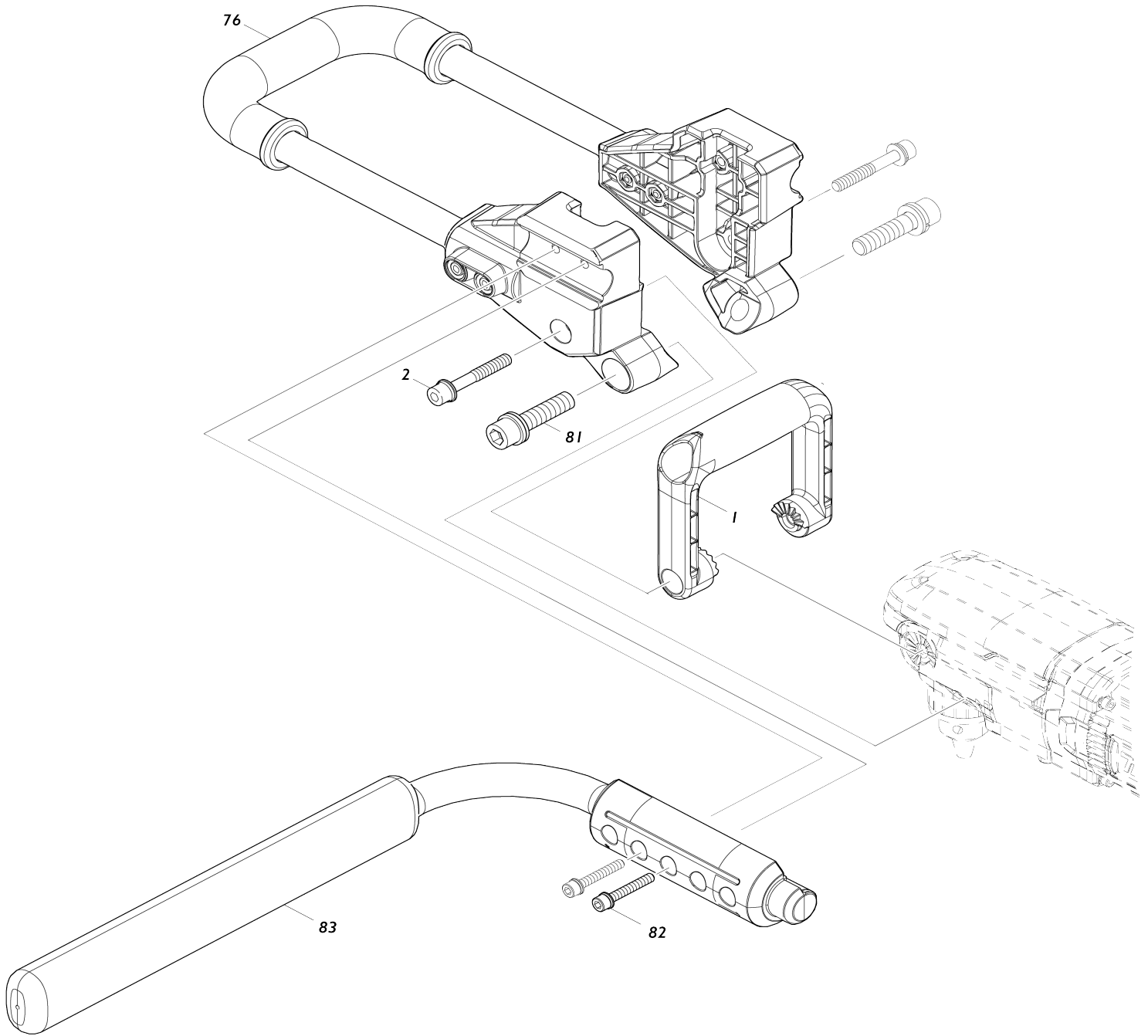


# Model No.DG001G CORDLESS EARTH AUGER



Model No.DG001G CORDLESS EARTH AUGER



Model No.DG001G CORDLESS EARTH AUGER

Item No.	Parts No.	Description	Interchangability	Q'ty	New/Old	Note1	Note2
001	458431-1	FRONT GRIP		1			
002	922478-6	H.S.H.BOLT M8X55 WITH WR		2			
003	458430-3	TOP COVER		1			
004	266026-4	TAPPING SCREW BIND CT 4X12		2			
005	266086-6	HEX. SOCKET HEAD BOLT M5X16		4			
006	140A21-7	GEAR HOUSING COVER COMPLETE		1			
D10		INC. 7					
007	213709-7	O RING 63		1			
008	252267-8	HEX. NUT M16-22		1			
009	253771-0	FLAT WASHER 16		1			
010	254032-1	WOODRUFF KEY 5		1			
011	227416-6	SPIRAL BEVEL GEAR 40		1	*		
011-1	227920-5	SPIRAL BEVEL GEAR 40	S	1			
012	213507-9	O RING 40		1			
013	257440-5	SLEEVE 17		1			
014	211278-2	BALL BEARING 6203DDW		1			
015	327106-2	SPINDLE		1			
016	285842-5	BEARING RETAINER 36-43		1			
017	763250-5	DRILL CHUCK S-13		1			
018	251463-5	- FLAT HEAD SCREW M6X22		1			
019	141D39-9	GEAR HOUSING COMPLETE		1			
D10		INC. 12,26					
020	265695-8	H. S. H. BOLT M5X30 WITH WRM		4	*		
020-1	265D08-7	H. S. H. BOLT M5X30 WITH WRM	O	4	*		
020-2	265D24-9	H. S. H. BOLT M5X30 WITH WRM	O	4			
024	216022-2	STEEL BALL 7.0		8			
026	213755-0	O RING 75		1			
027	253411-0	FLAT WASHER 6		1			
028	140A23-3	SPIRAL BEVEL GEAR 13 COMPLETE		1	*		
D10		INC. 29					
028-1	136563-1	SPIRAL BEVEL GEAR 13 ASS'Y	S	1			
D10		INC. 29					
029	211206-7	BALL BEARING 6202LLB		1			
030	962153-2	RETAINING RING R-35		1			
031	140A13-6	CARRIER A COMPLETE		1			
032	226176-7	SPUR GEAR 13		3			
033	226177-5	INTERNAL GEAR 40		1			
034	223188-1	CAM		1			
035	347365-2	WASHER 65		1			
036	127809-6	GEAR CASE COMPLETE		1			
037	226175-9	SPUR GEAR 14		1			
038	310876-0	CHANGE RING		1			
039	253215-0	FLAT WASHER 8		1			
040	347366-0	CHANGE GUIDE		1			
041	231657-8	TORSION SPRING 6		1			
042	265628-3	+ BINDING HEAD SCREW M5		1			

043	140A14-4	CARRIER B COMPLETE		1		
044	226174-1	INTERNAL GEAR 71		1		
045	140A12-8	SPUR GEAR 29 COMPLETE		3		
046	253412-8	FLAT WASHER 15		1		
047	213755-0	O RING 75		1		
048	140A20-9	MOTOR BRACKET COMPLETE		1		
D10		INC. 47,49				
049	213406-5	O RING 30		1		
050	961058-3	RETAINING RING (EXT) S-18		1		
051	213265-7	O RING 17		1		
052	458433-7	CHANGE LEVER		1		
053	233279-0	COMPRESSION SPRING 4		1		
054	458434-5	LOCK BUTTON		1		
055	211087-9	BALL BEARING 6200DDW		1		
056	519689-8	ROTOR ASSY		1	*	
D10		INC. 55,57				
056-1	519689-8	ROTOR ASSY	O	1		
D10		INC. 55,57				
057	211022-7	BALL BEARING 607ZZ		1		
058	266326-2	TAPPING SCREW 4X18		2		
059	458427-2	BAFFLE PLATE		1		
060	629356-8	STATOR		1	*	
060-1	629B69-3	STATOR	S	1		
061	458426-4	MOTOR HOUSING		1		
062	265695-8	H. S. H. BOLT M5X30 WITH WRM		4	*	
062-1	265D08-7	H. S. H. BOLT M5X30 WITH WRM	O	4	*	
062-2	265D24-9	H. S. H. BOLT M5X30 WITH WRM	O	4		
063	140A19-4	SWITCH CIRCUIT COMPLETE		1		
C10	810D46-0	SWITCH LABEL		1		
064	183S93-7	HANDLE SET		1		
C10	263005-3	RUBBER PIN 6		2		
C20	252126-6	HEX. LOCK NUT M4-7		1		
D10		INC. 70				
065	620839-1	LED CIRCUIT		1		
066	266326-2	TAPPING SCREW 4X18		10		
067	458432-9	F/R CHANGE LEVER		1		
068	651443-5	SWITCH C3JR-4B		1		
069	620F91-7	CONTROLLER		1	*	
069-1	620P58-5	CONTROLLER	<	1		
070	183S93-7	HANDLE SET		1		
C10	263005-3	RUBBER PIN 6		2		
C20	252126-6	HEX. LOCK NUT M4-7		1		
D10		INC. 64				
071	632P65-6	TERMINAL UNIT		1		
072	811G89-3	DG001G SERIAL NO. LABEL		1		
073	811G82-7	DG001G NAME PLATE		1		
074	212193-3	NEEDLE CAGE 5810		3		
075	267010-2	FLAT WASHER 5		1		
076	127688-2	PIPE GRIP ASSEMBLY		1		
077	264002-2	SQUARE NUT M5		2		
080	8012U4-2	XGT LOGO LABEL		1		
081	922673-8	H.S.H.BOLT M12X50 WITH WR		2		

082	922363-3	H.S.H.BOLT M6X40 WITH WR		2			
083	140W52-8	PIPE COMPLETE		1	*		
083-1	141N53-5	PIPE COMPLETE	<	1			
084	688162-0	LINE FILTER		1			
085	620K74-7	CONTROLLER B	S	1			
086	638A31-1	LEAD UNIT	S	1			
087	652119-7	PAN HEAD SCREW M2X6	S	6			
A01	141C01-8	KEY HOLDER COMPLETE		1			
A02	251314-2	+ SCREW M4X12		1			
A03	763251-3	CHUCK KEY S-13		1			
A04	783204-6	HEX. WRENCH 6		1			
A05	783207-0	HEX. WRENCH 10		1			
A06	783232-1	HEX. WRENCH 5		1			
A07	922453-2	HEX.SOCKET HEAD BOLT M8X30		2			
A08	327684-2	ADAPTER A		1			
A09	327687-6	ADAPTER D		1			
B01	191P11-3	HANDLE SET		1			
D10		INC. 2,76,81-83,A04-A06					

Please state Parts No. when your order.

Print Date 02/16/2024