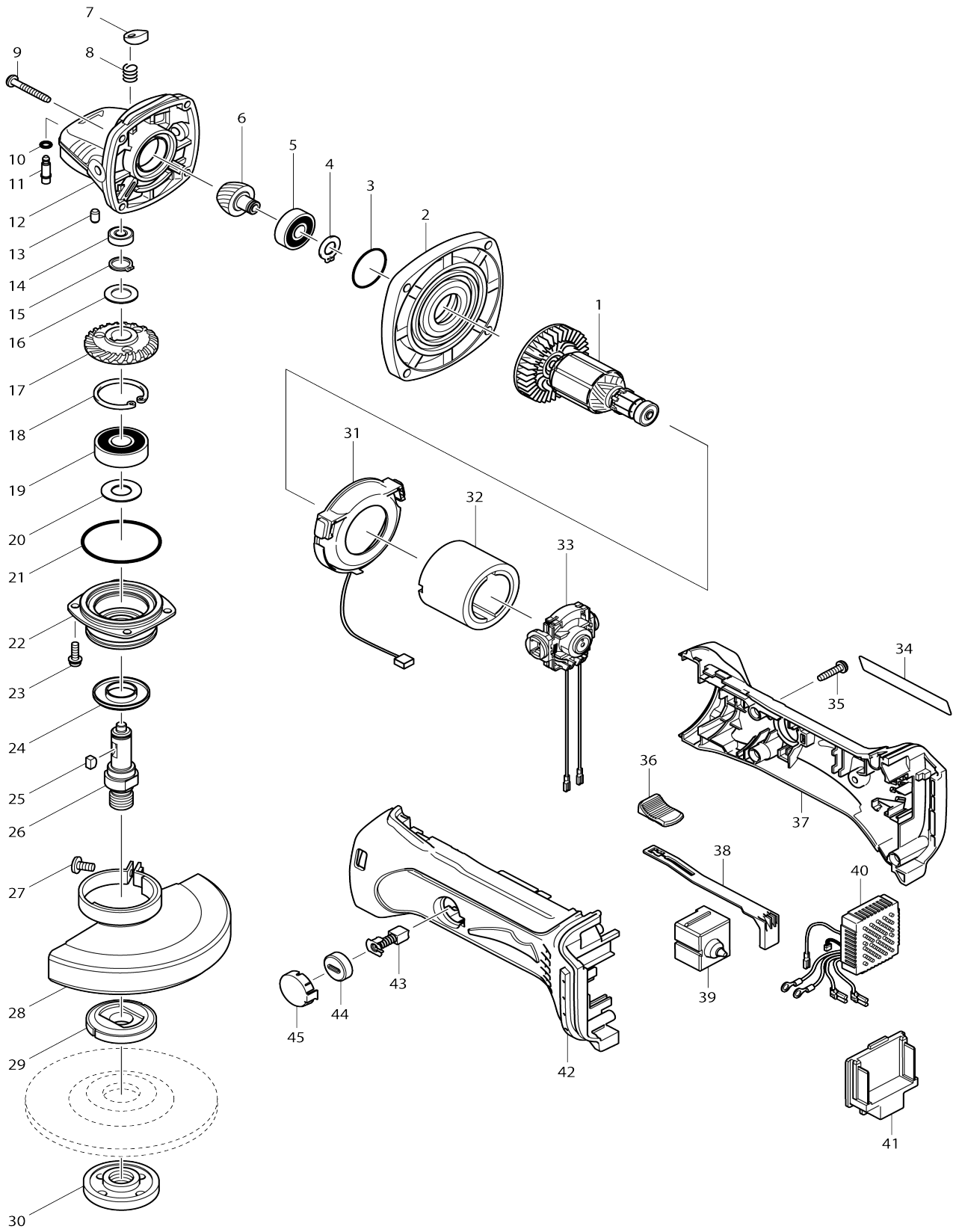


Model No.DGA452 CORDLESS GRINDER 115MM



Model No.DGA452 CORDLESS GRINDER 115MM

Item No.	Parts No.	Description	Interchangability	Q'ty	New/Old	Note1	Note2
001	619218-8	ARMATURE		1			
C10	421977-0	RUBBER RING 13		1			
002	317821-6	GEAR HOUSING COVER		1			
003	213445-5	O-RING 26		1			
004	961005-4	RETAINING RING S-9		1			
005	210042-8	BALL BEARING 629LLB		1			
006	227501-5	SPIRAL BEVEL GEAR 19		1	*		
006-1	227959-8	SPIRAL BEVEL GEAR 19	S	1			
007	417771-6	PIN CAP		1			
008	233072-2	COMPRESSION SPRING 8		1			
009	266361-0	TAPPING SCREW 4X30		4			
010	213960-9	O RING 5		1			
011	256496-5	SHOULDER PIN 4		1			
012	318051-2	GEAR HOUSING		1			
013	263002-9	RUBBER PIN 4		1			
014	210033-9	BALL BEARING 696ZZ		1			
015	961052-5	RETAINING RING (EXT) S-12		1			
016	253744-3	FLAT WASHER 12		1			
017	227502-3	SPIRAL BEVEL GEAR 39		1	*		
017-1	227960-3	SPIRAL BEVEL GEAR 39	S	1			
018	962151-6	RETAINING RING R-32		1			
019	211129-9	BALL BEARING 6201DDW		1			
020	267238-2	FLAT WASHER 12		1			
021	213622-9	O RING 45		1			
022	318331-6	BEARING BOX		1			
023	911121-2	PAN HEAD SCREW M4X14		4			
024	345464-4	LABYRINTH RING		1			
025	254011-9	WOODRUFF KEY 4		1			
026	324489-1	SPINDLE		1			
027	265180-1	PAN HEAD SCREW M5X16		1			
028	123098-1	WHEEL COVER 115AK ASS'Y		1	*		
C10	213009-5	O RING 4		1	*		
D10		INC. 27					
028-1	141P27-8	WHEEL COVER 115AK COMPLETE	<	1	*		
C10	213009-5	O RING 4		1	*		
C20	8050A1-8	CAUTION LABEL		1	*		
D10		INC. 27					
028-2	123098-1	WHEEL COVER 115AK ASS'Y	<	1			
C10	213009-5	O RING 4		1			
C20	8050A1-8	CAUTION LABEL		1	*		
D10		INC. 27					
029	224415-9	INNER FLANGE 42		1	*		
029-1	224490-5	INNER FLANGE 14-45	O	1			
030	224554-5	LOCK NUT 14-45		1			
031	631714-6	LED CIRCUIT		1			
032	638627-2	YOKE UNIT		1			
033	638921-2	ENDBELL COMPLETE		1			

034	815H70-2	DGA452 NAME PLATE		1		
035	266326-2	TAPPING SCREW 4X18		5		
036	419566-3	SWITCH KNOB		1		
037	187843-8	HOUSING SET		1		
C10	263005-3	RUBBER PIN 6		2		
D10		INC. 42				
038	419519-2	SWITCH LEVER		1		
039	650579-7	SWITCH 1246.3223		1		
040	620243-4	CONTROLLER		1	*	
040-1	620G57-3	CONTROLLER	<	1		
041	644808-8	TERMINAL		1		
042	187843-8	HOUSING SET		1		
C10	263005-3	RUBBER PIN 6		2		
D10		INC. 37				
043	191971-3	CARBON BRUSH CB-430		1		
044	643954-4	BRUSH HOLDER CAP		2		
045	419518-4	HOLDER CAP COVER		2		
A01	153489-2	GRIP 36 COMPLETE		1		
A02	782423-1	LOCK NUT WRENCH 35		1		
A03	***DC18RC	DC18RC FAST CHARGER		1		
A04	194204-5	BATTERY BL1830 SET		2	*	
A04-1	194204-5	BATTERY BL1830 SET	O	2	*	
A04-2	197600-6	BATTERY BL1830B SET	<	2	*	
A04-3	197600-6	BATTERY BL1830B SET	O	2		
A05	141257-5	PLASTIC CARRYING CASE		1		
C10	163455-1	LATCH		2		
A06	A-80640	DEPRESSED CENTER WHEEL 115X 36		1		
A08	450128-8	BATTERY COVER		1		
E02	805459-4	SAFETY INSTRUCTION LABEL		1		
F01	192227-7	SUPER FLANGE		1		
F17-2	196235-0	BATTERY BL1815N SET	O	1		
F18-1	196449-1	BATTERY BL1815N SET	O	1		
F19-2	196449-1	BATTERY BL1815N SET	O	1		
F26	199936-9	TOOL BAG SET		1		
A05	821550-0	CONNECTOR PLASTIC CASE (TYP E2)		1		
C10	453974-8	LATCH		4		
A07	837632-8	INNER TRAY		1		
A09	803C92-4	DGA452RFJ INDICATION LABEL		1		
A10	803C94-0	DGA452RFJ PLASTIC CASE LABEL		2	*	
A10-1	808V78-7	DGA452RFJ PLASTIC CASE LABEL	O	2		
A09	803C93-2	DGA452ZJ INDICATION LABEL		1		
A10	803C95-8	DGA452ZJ PLASTIC CASE LABEL		2		
A04	196399-0	BATTERY BL1840 SET		2	*	
A04-1	196399-0	BATTERY BL1840 SET	O	2	*	
A04-2	197265-4	BATTERY BL1840B SET	<	2	*	
A04-3	197265-4	BATTERY BL1840B SET	O	2		
A09	803C70-4	DGA452RMJ INDICATION LABEL		1		
A10	803D23-9	DGA452RMJ PLASTIC CASE LABEL		2		
037	187842-0	HOUSING SET		1		

042	187842-0	HOUSING SET		1			
-----	----------	-------------	--	---	--	--	--

Please state Parts No. when your order.

Print Date 01/29/2024