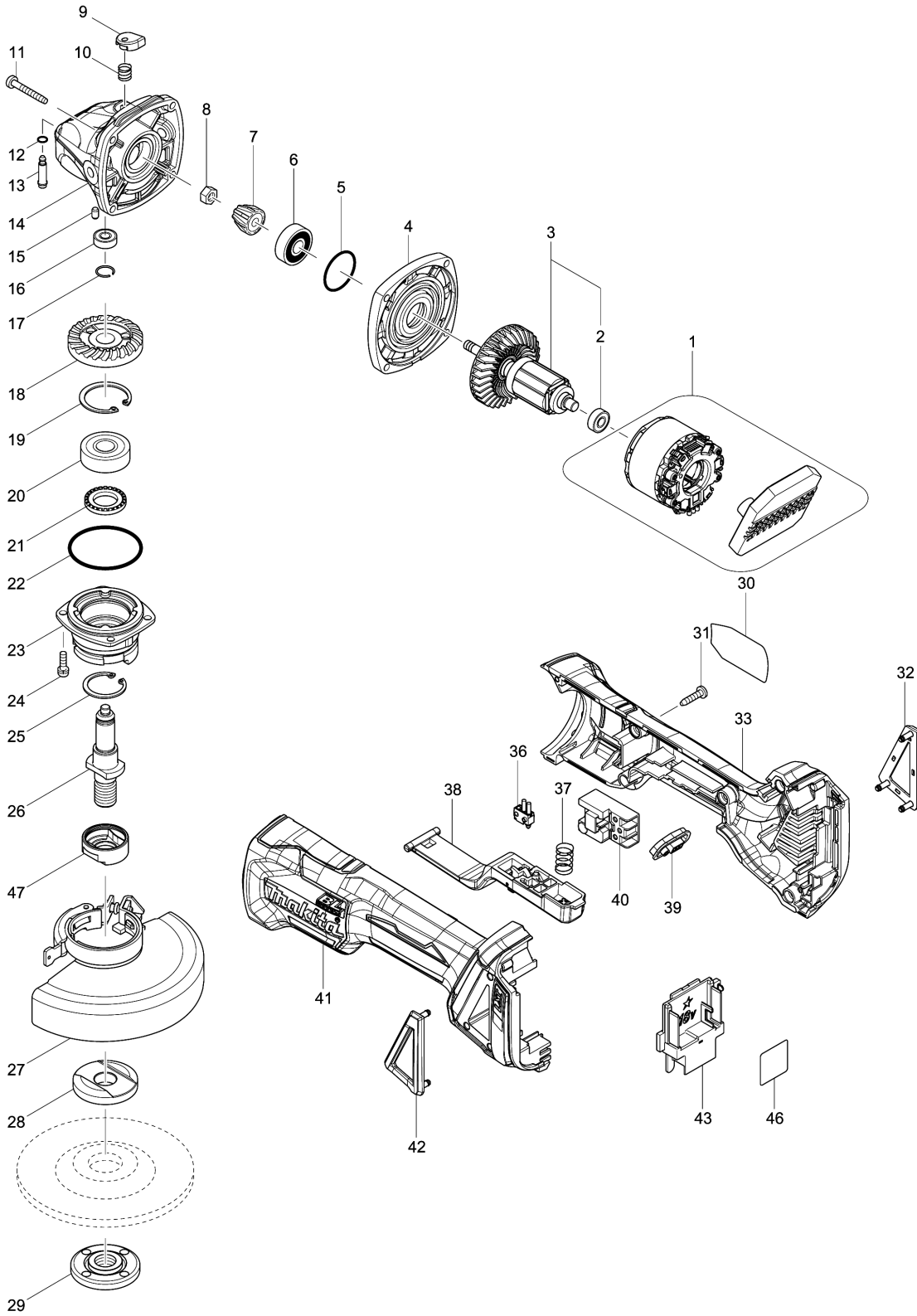


Model No.DGA458 115MM CORDLESS ANGLE GRINDER



Model No.DGA458 115MM CORDLESS ANGLE GRINDER

Item	Parts No.	Description	I/C	Qty	New/Old	Opt. 1	Opt. 2	Note
001	629203-3	STATOR COMPLETE		1	*			
001-1	629B61-9	STATOR	S	1				
002	210034-7	BALL BEARING 607LLB		1	*			
002-1	210169-4	BALL BEARING 607LLB	<	1				
003	519378-5	ROTOR ASS'Y		1	*			
D10		INC. 2			*			
003-1	510329-1	ROTOR ASS'Y	<	1	*			
D10		INC. 2			*			
003-2	510329-1	ROTOR ASS'Y	O	1	*			
D10		INC. 2			*			
003-3	510329-1	ROTOR ASS'Y	O	1				
D10		INC. 2						
004	319214-3	GEAR HOUSING COVER		1				
005	213445-5	O-RING 26		1	*			
005-1	213407-3	O RING 26	O	1				
006	210042-8	BALL BEARING 629LLB		1				
007	227541-3	SPIRAL BEVEL GEAR 10		1	*			
007-1	226861-2	SPIRAL BEVEL GEAR 10	S	1				
008	252186-8	HEX. NUT M6		1				
009	417771-6	PIN CAP		1				
010	233072-2	COMPRESSION SPRING 8		1				
011	266361-0	TAPPING SCREW 4X30		4	*			
011-1	265B70-0	TAPPING SCREW 4X30	O	4				
012	213960-9	O RING 5		1				
013	256546-6	SHOULDER PIN 4		1				
014	319213-5	GEAR HOUSING		1				
015	263002-9	RUBBER PIN 4		1				
016	210033-9	BALL BEARING 696ZZ		1				
017	233950-6	RING SPRING 11		1				
018	227641-9	SPIRAL BEVEL GEAR 37		1	*			
018-1	226862-0	SPIRAL BEVEL GEAR 37	S	1				
019	962151-6	RETAINING RING R-32		1				
020	211129-9	BALL BEARING 6201DDW		1				
021	262153-5	FELT RING 16		1				
022	213622-9	O RING 45		1				
023	319399-5	BEARING BOX		1				
024	911121-2	PAN HEAD SCREW M4X14		4				
025	962105-3	RETAINING RING R-26		1				
026	326672-6	SPINDLE		1				
027	123144-0	TOOLLESS WHEELCOVER 115AK ASSY		1	*			
C10	213009-5	O RING 4		1	*			
C20	265180-1	PAN HEAD SCREW M5X16		1	*			
027-1	141P35-9	TOOLLESS WHEEL COVER 115AK CMP	<	1				
C10	213009-5	O RING 4		1				

Please order the parts with part number.

Print Date 11/12/2023

Model No.DGA458 115MM CORDLESS ANGLE GRINDER

Item	Parts No.	Description	I/C	Qty	New/Old	Opt. 1	Opt. 2	Note
C20	265180-1	PAN HEAD SCREW M5X16		1				
C30	8050A1-8	CAUTION LABEL		1				
028	224447-6	INNER FLANGE 42B		1				
029	224554-5	LOCK NUT 14-45		1				
030	852A15-7	DGA458 NAME PLATE		1				
031	266326-2	TAPPING SCREW 4X18		5	*			
031-1	265B67-9	TAPPING SCREW 4X18	O	5				
032	455450-8	DUST COVER R		1				
033	183A52-3	MOTOR HOUSING SET		1	*			
C10	263005-3	RUBBER PIN 6		2	*			
D10		INC. 41			*			
033-1	183J40-4	MOTOR HOUSING SET	<	1				
C10	263005-3	RUBBER PIN 6		2				
D10		INC. 41						
036	632E12-1	SWITCH UNIT		1				
037	234357-9	COMPRESSION SPRING 11		1				
038	142976-6	SWITCH LEVER COMPLETE		1				
039	142901-7	INDICATOR PANEL COMPLETE		1				
040	650734-1	SWITCH TG73BDS-2		1				
041	183A52-3	MOTOR HOUSING SET		1	*			
C10	263005-3	RUBBER PIN 6		2	*			
D10		INC. 33			*			
041-1	183J40-4	MOTOR HOUSING SET	<	1				
C10	263005-3	RUBBER PIN 6		2				
D10		INC. 33						
042	455449-3	DUST COVER L		1				
043	643899-6	TERMINAL		1				
046	852A20-4	DGA458 SERIAL NO. LABEL		1				
047	310514-4	LEAD FLANGE		1				
048	620K34-9	CONTROLLER	S	1				
049	652119-7	PAN HEAD SCREW M2X6	S	6				
A01	A-80640	DEPRESSED CENTER WHEEL 115X36		1				
A02	158237-4	GRIP 36 COMPLETE		1				
A03	782423-1	LOCK NUT WRENCH 35		1				
A04B	***DC18RC	DC18RC FAST CHARGER		1				
D10		COMPO-PARTS						
A04C	***DC18RC	DC18RC FAST CHARGER		1				
D10		COMPO-PARTS						
A04D	***DC18RC	DC18RC FAST CHARGER		1				
D10		COMPO-PARTS						
A04E	821551-8	CONNECTOR PLASTIC CASE (TYPE3)		1				
C10	453974-8	LATCH		4				
A05B	197265-4	BATTERY BL1840B SET		2	*			
A05C	196015-4	BATTERY BL1830 SET		2	*			

Please order the parts with part number.

Print Date 11/12/2023

Model No.DGA458 115MM CORDLESS ANGLE GRINDER

Item	Parts No.	Description	I/C	Qty	New/Old	Opt. 1	Opt. 2	Note
A05D	197280-8	BATTERY BL1850B SET		2	*			
A05E	838175-3	INNER TRAY		1				
A05-1B	197265-4	BATTERY BL1840B SET	O	2				
A05-1C	197600-6	BATTERY BL1830B SET	<	2	*			
A05-1D	197280-8	BATTERY BL1850B SET	O	2				
A05-2C	197600-6	BATTERY BL1830B SET	O	2				
A06B	450128-8	BATTERY COVER		1				
A06C	450128-8	BATTERY COVER		1				
A06D	450128-8	BATTERY COVER		1				
A06E	808R98-7	DGA458ZJ INDICATION LABEL		1	*			
A06-1E	810M87-0	DGA458ZJ INDICATION LABEL	O	1				
A07B	821551-8	CONNECTOR PLASTIC CASE (TYPE3)		1				
C10	453974-8	LATCH		4				
A07C	821551-8	CONNECTOR PLASTIC CASE (TYPE3)		1				
C10	453974-8	LATCH		4				
A07D	821551-8	CONNECTOR PLASTIC CASE (TYPE3)		1				
C10	453974-8	LATCH		4				
A07E	809L76-4	DGA458ZJ PLASTIC CASE LABEL		2	*			
A07-1E	810M88-8	DGA458ZJ PLASTIC CASE LABEL	X	2				
A08B	838175-3	INNER TRAY		1				
A08C	838175-3	INNER TRAY		1				
A08D	838175-3	INNER TRAY		1				
A09B	808S04-8	DGA458RMJ INDICATION LABEL		1	*			
A09C	808S00-6	DGA458RFJ INDICATION LABEL		1	*			
A09D	808S08-0	DGA458RTJ INDICATION LABEL		1	*			
A09-1B	810M92-7	DGA458RMJ INDICATION LABEL	O	1				
A09-1C	810M89-6	DGA458RFJ INDICATION LABEL	O	1				
A09-1D	810M95-1	DGA458RTJ INDICATION LABEL	O	1				
A10B	808S05-6	DGA458RMJ PLASTIC CASE LABEL		2	*			
A10C	808S01-4	DGA458RFJ PLASTIC CASE LABEL		2	*			
A10D	808S09-8	DGA458RTJ PLASTIC CASE LABEL		2	*			
A10-1B	810M93-5	DGA458RMJ PLASTIC CASE LABEL	X	2				
A10-1C	810M90-1	DGA458RFJ PLASTIC CASE LABEL	X	2				
A10-1D	810M96-9	DGA458RTJ PLASTIC CASE LABEL	X	2				
A13	199709-0	CUTTING W.C.A. 115 SET		1				
F02-1	194514-0	VIBRATION PROOF GRIP SET	O	1				
F16	191W06-8	115/125MM DUST COVER K SET		1				
C10	743129-6	BRUSH A		1				

Please order the parts with part number.

Print Date 11/12/2023

Model No.DGA458 115MM CORDLESS ANGLE GRINDER

Item	Parts No.	Description	I/C	Qty	New/Old	Opt. 1	Opt. 2	Note
C20	743130-1	BRUSH B		1				

Please order the parts with part number.

Print Date 11/12/2023