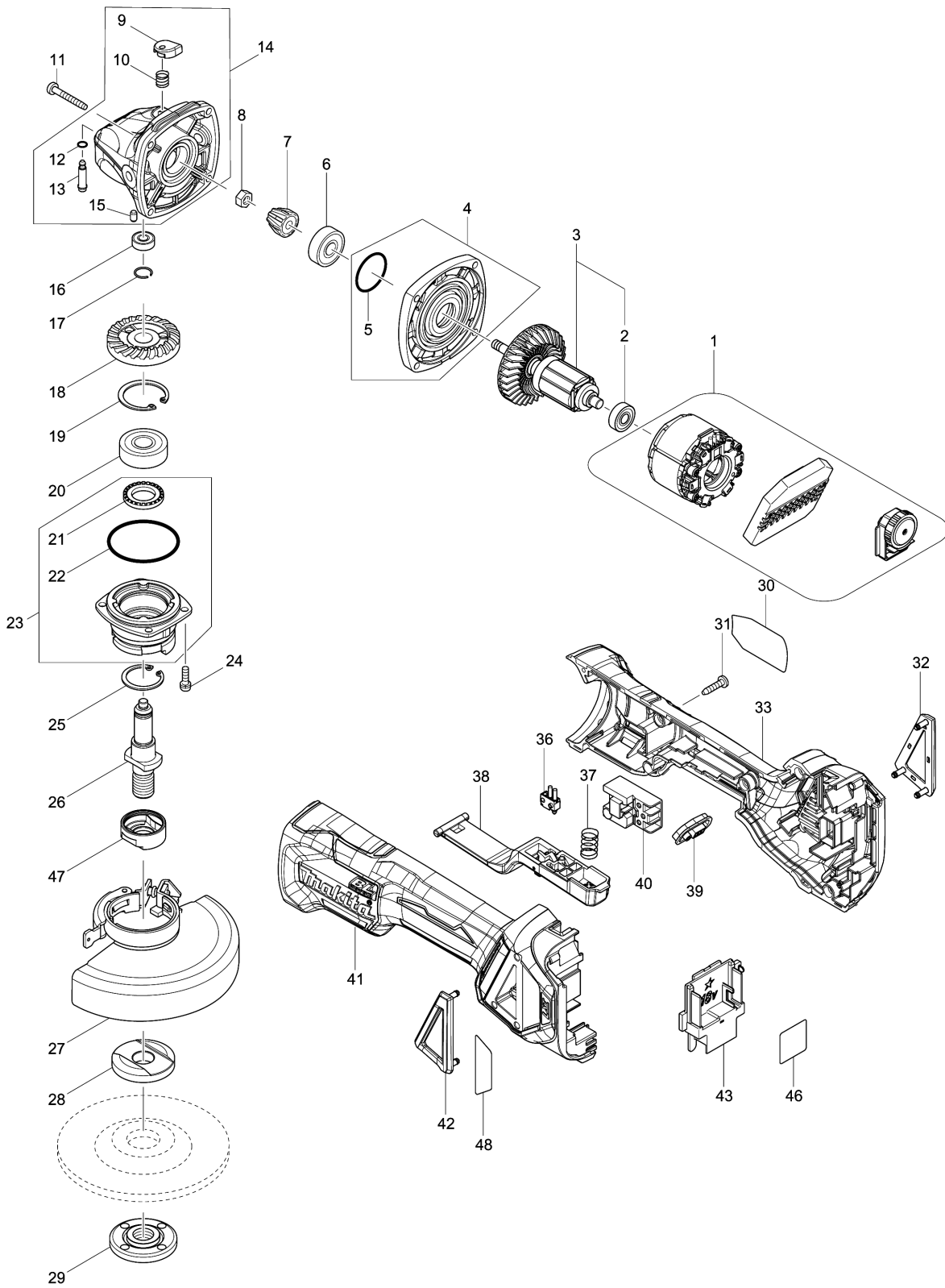


Model No.DGA467 115MM CORDLESS ANGLE GRINDER



Model No.DGA467 115MM CORDLESS ANGLE GRINDER

Item	Parts No.	Description	I/C	Qty	New/Old	Opt. 1	Opt. 2	Note
001	629304-7	STATOR COMPLETE		1	*			
001-1	629B61-9	STATOR	S	1				
002	210169-4	BALL BEARING 607LLB		1				
003	510329-1	ROTOR ASS'Y		1	*			
D10		INC. 2			*			
003-1	510329-1	ROTOR ASS'Y	O	1				
D10		INC. 2						
004	135930-7	GEAR HOUSING COVER ASSEMBLY		1	*			
D10		INC. 5			*			
004-1	136170-0	GEAR HOUSING COVER ASS'Y	O	1				
D10		INC. 5						
005	213445-5	O-RING 26		1	*			
005-1	213407-3	O RING 26	O	1				
006	210042-8	BALL BEARING 629LLB		1				
007	227541-3	SPIRAL BEVEL GEAR 10		1	*			
007-1	226861-2	SPIRAL BEVEL GEAR 10	S	1				
008	252186-8	HEX. NUT M6		1				
009	417771-6	PIN CAP		1				
010	233072-2	COMPRESSION SPRING 8		1				
011	266361-0	TAPPING SCREW 4X30		4	*			
011-1	265B70-0	TAPPING SCREW 4X30	O	4				
012	213960-9	O RING 5		1				
013	256546-6	SHOULDER PIN 4		1				
014	135929-2	GEAR HOUSING ASSEMBLY		1				
D10		INC. 9,10,12,13,15						
015	263002-9	RUBBER PIN 4		1				
016	210033-9	BALL BEARING 696ZZ		1				
017	233950-6	RING SPRING 11		1				
018	227641-9	SPIRAL BEVEL GEAR 37		1	*			
018-1	226862-0	SPIRAL BEVEL GEAR 37	S	1				
019	962151-6	RETAINING RING R-32		1				
020	211129-9	BALL BEARING 6201DDW		1				
021	262153-5	FELT RING 16		1				
022	213622-9	O RING 45		1				
023	135949-6	BEARING BOX ASSEMBLY		1				
D10		INC. 21,22						
024	911121-2	PAN HEAD SCREW M4X14		4				
025	962105-3	RETAINING RING R-26		1				
026	326672-6	SPINDLE		1				
027	123144-0	TOOLLESS WHEELCOVER 115AK ASSY		1	*			
C10	213009-5	O RING 4		1	*			
C20	265180-1	PAN HEAD SCREW M5X16		1	*			
027-1	141P35-9	TOOLLESS WHEEL COVER 115AK CMP	<	1				
C10	213009-5	O RING 4		1				

Please order the parts with part number.

Print Date 11/12/2023

Model No.DGA467 115MM CORDLESS ANGLE GRINDER

Item	Parts No.	Description	I/C	Qty	New/Old	Opt. 1	Opt. 2	Note
C20	265180-1	PAN HEAD SCREW M5X16		1				
C30	8050A1-8	CAUTION LABEL		1				
028	224447-6	INNER FLANGE 42B		1				
029	224554-5	LOCK NUT 14-45		1				
030	853Y60-9	DGA467 NAME PLATE		1				
031	266326-2	TAPPING SCREW 4X18		5	*			
031-1	265B67-9	TAPPING SCREW 4X18	O	5				
032	455450-8	DUST COVER R		1				
033	183H86-8	MOTOR HOUSING SET		1				
C10	263005-3	RUBBER PIN 6		2				
D10		INC. 41						
036	632E12-1	SWITCH UNIT		1				
037	234357-9	COMPRESSION SPRING 11		1				
038	142976-6	SWITCH LEVER COMPLETE		1				
039	142901-7	INDICATOR PANEL COMPLETE		1				
040	650734-1	SWITCH TG73BDS-2		1				
041	183H86-8	MOTOR HOUSING SET		1				
C10	263005-3	RUBBER PIN 6		2				
D10		INC. 33						
042	455449-3	DUST COVER L		1				
043	643874-2	TERMINAL		1				
046	853Y62-5	DGA467 SERIAL NO. LABEL		1				
047	310514-4	LEAD FLANGE		1				
048	816D93-9	INDICATION LABEL		1				
049	620K21-8	CONTROLLER	S	1				
050	652119-7	PAN HEAD SCREW M2X6	S	6				
A01	A-80640	DEPRESSED CENTER WHEEL 115X36		1				
A02	158237-4	GRIP 36 COMPLETE		1				
A03	782423-1	LOCK NUT WRENCH 35		1				
A04B	***DC18RC	DC18RC FAST CHARGER		1				
D10		COMPO-PARTS						
A05B	197280-8	BATTERY BL1850B SET		2	*			
A05-1B	197280-8	BATTERY BL1850B SET	O	2				
A06B	450128-8	BATTERY COVER		2				
A07	821551-8	CONNECTOR PLASTIC CASE (TYPE3)		1				
C10	453974-8	LATCH		4				
A08	839252-4	INNER TRAY		1				
A09A	816K28-2	DGA467ZJ INDICATION LABEL		1				
A09B	816K31-3	DGA467RTJ INDICATION LABEL		1				
A10A	816K29-0	DGA467ZJ PLASTIC CASE LABEL		2				
A10B	816K32-1	DGA467RTJ PLASTIC CASE LABEL		2				
A13	199709-0	CUTTING W.C.A. 115 SET		1				
F02-1	194514-0	VIBRATION PROOF GRIP SET	O	1				

Please order the parts with part number.

Print Date 11/12/2023

Model No.DGA467 115MM CORDLESS ANGLE GRINDER

Item	Parts No.	Description	I/C	Qty	New/Old	Opt. 1	Opt. 2	Note
F16	191W06-8	115/125MM DUST COVER K SET		1				
C10	743129-6	BRUSH A		1				
C20	743130-1	BRUSH B		1				

Please order the parts with part number.

Print Date 11/12/2023