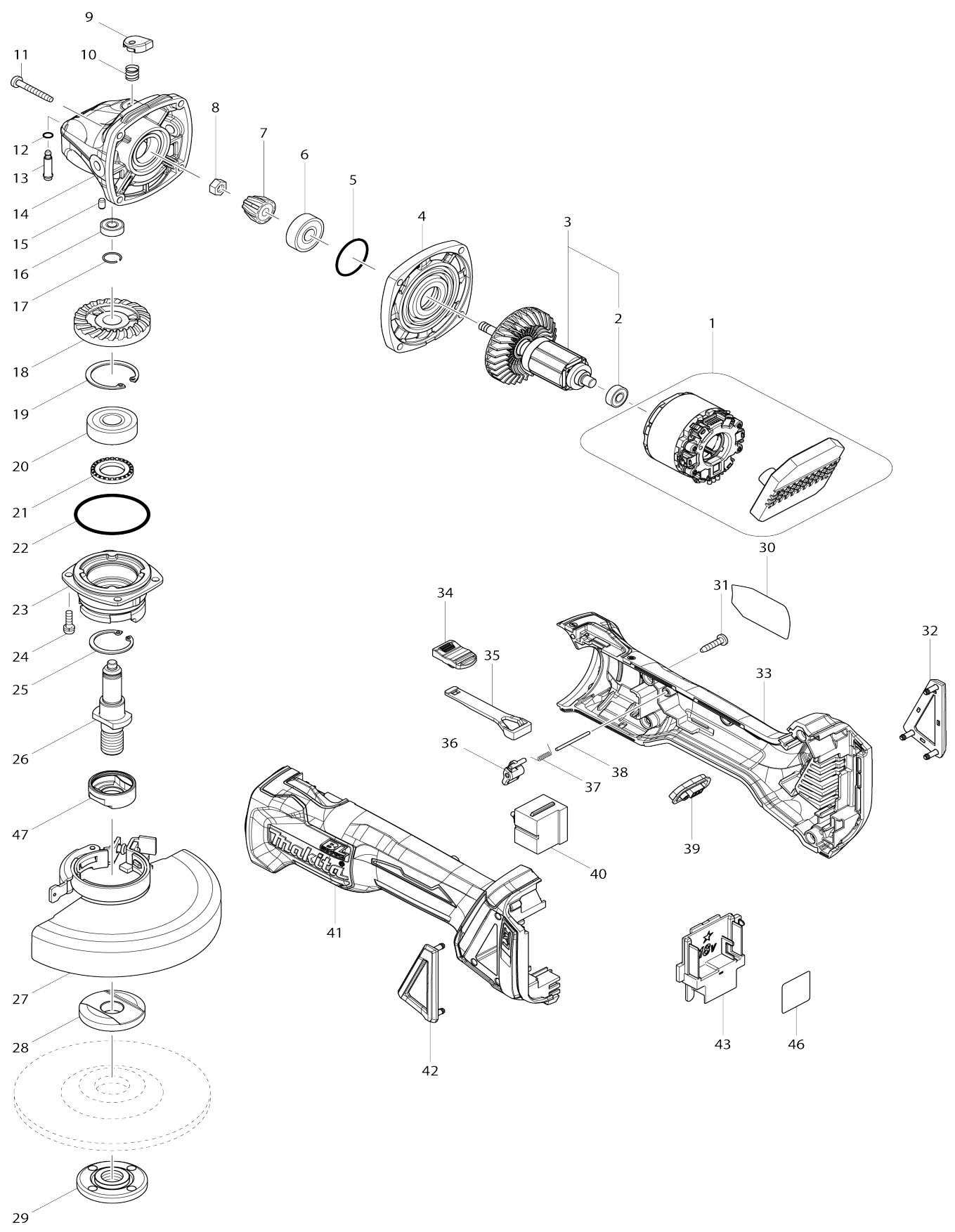


Model No.DGA506 125MM CORDLESS ANGLE GRINDER



Model No.DGA506 125MM CORDLESS ANGLE GRINDER

Item No.	Parts No.	Description	Interchangability	Q'ty	New/Old	Note1	Note2
001	629201-7	STATOR COMPLETE		1	*		
001-1	629B61-9	STATOR	S	1			
002	210034-7	BALL BEARING 607LLB		1	*		
002-1	210169-4	BALL BEARING 607LLB	<	1			
003	519378-5	ROTOR ASS'Y		1	*		
D10		INC. 2					
003-1	510329-1	ROTOR ASS'Y	<	1	*		
D10		INC. 2					
003-2	510329-1	ROTOR ASS'Y	O	1	*		
D10		INC. 2					
003-3	510329-1	ROTOR ASS'Y	O	1			
D10		INC. 2					
004	319214-3	GEAR HOUSING COVER		1			
005	213445-5	O-RING 26		1	*		
005-1	213407-3	O RING 26	O	1			
006	210042-8	BALL BEARING 629LLB		1			
007	227541-3	SPIRAL BEVEL GEAR 10		1	*		
007-1	226861-2	SPIRAL BEVEL GEAR 10	S	1			
008	252186-8	HEX. NUT M6		1			
009	417771-6	PIN CAP		1			
010	233072-2	COMPRESSION SPRING 8		1			
011	266361-0	TAPPING SCREW 4X30		4	*		
011-1	265B70-0	TAPPING SCREW 4X30	O	4			
012	213960-9	O RING 5		1			
013	256546-6	SHOULDER PIN 4		1			
014	319213-5	GEAR HOUSING		1			
015	263002-9	RUBBER PIN 4		1			
016	210033-9	BALL BEARING 696ZZ		1			
017	233950-6	RING SPRING 11		1			
018	227641-9	SPIRAL BEVEL GEAR 37		1	*		
018-1	226862-0	SPIRAL BEVEL GEAR 37	S	1			
019	962151-6	RETAINING RING R-32		1			
020	211129-9	BALL BEARING 6201DDW		1			
021	262153-5	FELT RING 16		1			
022	213622-9	O RING 45		1			
023	319399-5	BEARING BOX		1			
024	911121-2	PAN HEAD SCREW M4X14		4			
025	962105-3	RETAINING RING R-26		1			
026	326672-6	SPINDLE		1			
027	123145-8	TOOLLESS WHEELCOVER 125AK ASSY		1	*		
C10	213009-5	O RING 4		1	*		
C20	265180-1	PAN HEAD SCREW M5X16		1	*		
027-1	141P36-7	TOOLLESS WHEEL COVER 125AK CMP	<	1			
C10	213009-5	O RING 4		1			
C20	265180-1	PAN HEAD SCREW M5X16		1			
C30	8050A1-8	CAUTION LABEL		1			

028	224447-6	INNER FLANGE 42B		1		
029	224554-5	LOCK NUT 14-45		1		
030	851Y86-5	DGA506 NAME PLATE		1		
031	266326-2	TAPPING SCREW 4X18		5	*	
031-1	265B67-9	TAPPING SCREW 4X18	O	5		
032	455450-8	DUST COVER R		1		
033	187998-9	MOTOR HOUSING SET		1	*	
C10	263005-3	RUBBER PIN 6		2	*	
D10		INC. 41				
033-1	183J39-9	MOTOR HOUSING SET	<	1		
C10	263005-3	RUBBER PIN 6		2		
D10		INC. 41				
034	455447-7	SWITCH KNOB		1		
035	455446-9	SWITCH LEVER		1		
036	455448-5	LEVER		1		
037	231679-8	TORSION SPRING 2		1		
038	268330-7	PIN 2		1		
039	142901-7	INDICATOR PANEL COMPLETE		1		
040	650579-7	SWITCH 1246.3223		1		
041	187998-9	MOTOR HOUSING SET		1	*	
C10	263005-3	RUBBER PIN 6		2	*	
D10		INC. 33				
041-1	183J39-9	MOTOR HOUSING SET	<	1		
C10	263005-3	RUBBER PIN 6		2		
D10		INC. 33				
042	455449-3	DUST COVER L		1		
043	643899-6	TERMINAL		1		
046	851Y94-6	DGA506 SERIAL NO. LABEL		1		
047	310514-4	LEAD FLANGE		1		
048	620L30-3	CONTROLLER	S	1		
049	652119-7	PAN HEAD SCREW M2X6	S	6		
A01	A-80656	GRINDING WHEEL 125 WA36N		1		
A02	158237-4	GRIP 36 COMPLETE		1		
A03	782423-1	LOCK NUT WRENCH 35		1		
A13	199710-5	CUTTING W.C.A. 125 SET		1		
F02-1	194514-0	VIBRATION PROOF GRIP SET	O	1		
F15-1	197423-2	BATTERY BL1860B SET	O	1		
F16-1	197428-2	BATTERY BL1860B SET (2PIECES)	O	1		
F23	191W06-8	115/125MM DUST COVER K SET		1		
C10	743129-6	BRUSH A		1		
C20	743130-1	BRUSH B		1		
A02	162258-0	VIBRATION PROOF GRIP		1		
A04	***DC18RC	DC18RC FAST CHARGER		1		
D10		COMPO-PARTS				
A05	194204-5	BATTERY BL1830 SET		2	*	
A05-1	197600-6	BATTERY BL1830B SET	<	2	*	
A05-2	197600-6	BATTERY BL1830B SET	O	2		
A06	450128-8	BATTERY COVER		1		
A07	821551-8	CONNECTOR PLASTIC CASE (TYP E3)		1		
C10	453974-8	LATCH		4		
A08	838175-3	INNER TRAY		1		

A09	808R90-3	DGA506RFJ INDICATION LABEL		1	*		
A09-1	810N45-2	DGA506RFJ INDICATION LABEL	O	1			
A10	808R91-1	DGA506RFJ PLASTIC CASE LABEL		2	*		
A10-1	810N46-0	DGA506RFJ PLASTIC CASE LABEL	X	2			
A05	197265-4	BATTERY BL1840B SET		2	*		
A05-1	197265-4	BATTERY BL1840B SET	O	2			
A09	808R92-9	DGA506RMJ INDICATION LABEL		1	*		
A09-1	810N47-8	DGA506RMJ INDICATION LABEL	O	1			
A10	808R93-7	DGA506RMJ PLASTIC CASE LABEL		2	*		
A10-1	810N48-6	DGA506RMJ PLASTIC CASE LABEL	X	2			
A05	197280-8	BATTERY BL1850B SET		2	*		
A05-1	197280-8	BATTERY BL1850B SET	O	2			
A09	808R94-5	DGA506RTJ INDICATION LABEL		1	*		
A09-1	810N49-4	DGA506RTJ INDICATION LABEL	O	1			
A10	808R95-3	DGA506RTJ PLASTIC CASE LABEL		2	*		
A10-1	810N50-9	DGA506RTJ PLASTIC CASE LABEL	X	2			
033	183J39-9	MOTOR HOUSING SET		1			
041	183J39-9	MOTOR HOUSING SET		1			

Please state Parts No. when your order.

Print Date 01/29/2024