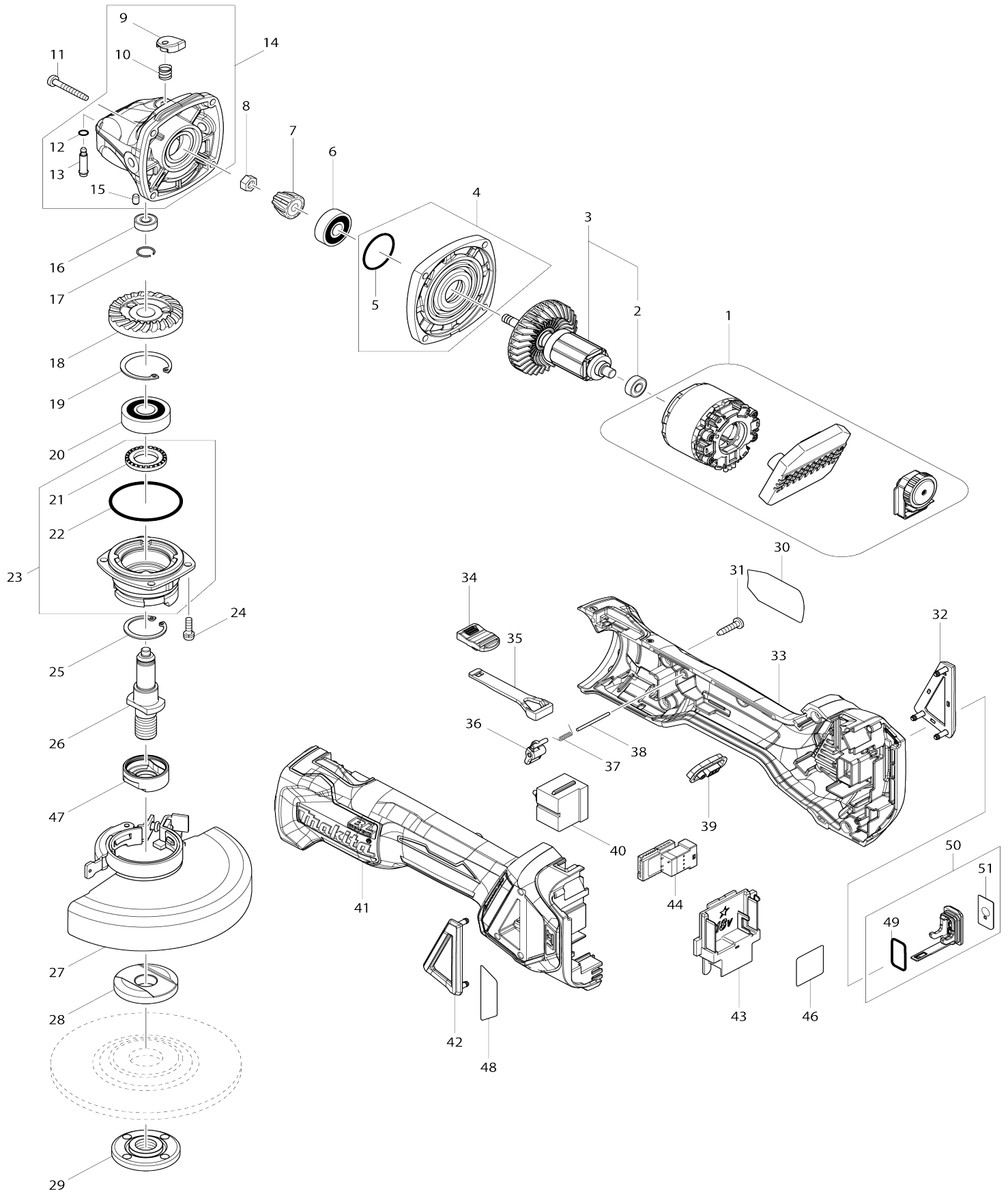


Model No.DGA514 125MM CORDLESS ANGLE GRINDER



Model No.DGA514 125MM CORDLESS ANGLE GRINDER

Item No.	Parts No.	Description	Interchangability	Q'ty	New/Old	Note1	Note2
001	629299-4	STATOR COMPLETE		1	*		
001-1	629B61-9	STATOR	S	1			
002	210169-4	BALL BEARING 607LLB		1			
003	510329-1	ROTOR ASS'Y		1	*		
D10		INC. 2					
003-1	510329-1	ROTOR ASS'Y	O	1			
D10		INC. 2					
004	135930-7	GEAR HOUSING COVER ASSEMBLY		1	*		
D10		INC. 5					
004-1	136170-0	GEAR HOUSING COVER ASS'Y	O	1			
D10		INC. 5					
005	213445-5	O-RING 26		1	*		
005-1	213407-3	O RING 26	O	1			
006	210042-8	BALL BEARING 629LLB		1			
007	227541-3	SPIRAL BEVEL GEAR 10		1	*		
007-1	226861-2	SPIRAL BEVEL GEAR 10	S	1			
008	252186-8	HEX. NUT M6		1			
009	417771-6	PIN CAP		1			
010	233072-2	COMPRESSION SPRING 8		1			
011	266361-0	TAPPING SCREW 4X30		4	*		
011-1	265B70-0	TAPPING SCREW 4X30	O	4			
012	213960-9	O RING 5		1			
013	256546-6	SHOULDER PIN 4		1			
014	135929-2	GEAR HOUSING ASSEMBLY		1			
D10		INC. 9,10,12,13,15					
015	263002-9	RUBBER PIN 4		1			
016	210033-9	BALL BEARING 696ZZ		1			
017	233950-6	RING SPRING 11		1			
018	227641-9	SPIRAL BEVEL GEAR 37		1	*		
018-1	226862-0	SPIRAL BEVEL GEAR 37	S	1			
019	962151-6	RETAINING RING R-32		1			
020	211129-9	BALL BEARING 6201DDW		1			
021	262153-5	FELT RING 16		1			
022	213622-9	O RING 45		1			
023	135949-6	BEARING BOX ASSEMBLY		1			
D10		INC. 21,22					
024	911121-2	PAN HEAD SCREW M4X14		4			
025	962105-3	RETAINING RING R-26		1			
026	326672-6	SPINDLE		1			
027	123145-8	TOOLLESS WHEELCOVER 125AK ASSY		1	*		
C10	213009-5	O RING 4		1	*		
C20	265180-1	PAN HEAD SCREW M5X16		1	*		
027-1	141P36-7	TOOLLESS WHEEL COVER 125AK CMP	<	1			
C10	213009-5	O RING 4		1			
C20	265180-1	PAN HEAD SCREW M5X16		1			

C30	8050A1-8	CAUTION LABEL		1		
028	224447-6	INNER FLANGE 42B		1		
029	224554-5	LOCK NUT 14-45		1		
030	853X98-8	DGA514 NAME PLATE		1		
031	266326-2	TAPPING SCREW 4X18		5	*	
031-1	265B67-9	TAPPING SCREW 4X18	O	5		
032	455450-8	DUST COVER R		1		
033	183H84-2	MOTOR HOUSING SET		1		
C10	263005-3	RUBBER PIN 6		2		
D10		INC. 41				
034	455447-7	SWITCH KNOB		1		
035	455446-9	SWITCH LEVER		1		
036	455448-5	LEVER		1		
037	231679-8	TORSION SPRING 2		1		
038	268330-7	PIN 2		1		
039	142901-7	INDICATOR PANEL COMPLETE		1		
040	650579-7	SWITCH 1246.3223		1		
041	183H84-2	MOTOR HOUSING SET		1		
C10	263005-3	RUBBER PIN 6		2		
D10		INC. 33				
042	455449-3	DUST COVER L		1		
043	643874-2	TERMINAL		1		
044	620752-3	SUB CONTROLLER		1		
046	853Y04-9	DGA514 SERIAL NO. LABEL		1		
047	310514-4	LEAD FLANGE		1		
048	816D93-9	INDICATION LABEL		1		
049	213275-4	O RING 18		1	*	
049-1	213218-6	O RING 16	<	1	*	
049-2	213A42-3	O-RING16	O	1		
050	183H92-3	CAP SET		1	*	
D10		INC. 49,51				
050-1	183J85-2	CAP SET	O	1	*	
D10		INC. 49,51				
050-2	140G30-2	CAP COMPLETE	<	1		
D10		INC. 49,51				
051	813T75-8	CAP LABEL		1	*	
051-1	818H48-4	CAP LABEL	<	1		
052	620K25-0	CONTROLLER	S	1		
053	652119-7	PAN HEAD SCREW M2X6	S	6		
A01	158237-4	GRIP 36 COMPLETE		1		
A02	A-80656	GRINDING WHEEL 125 WA36N		1		
A03	782423-1	LOCK NUT WRENCH 35		1		
A04	198897-0	WIRELESS UNIT SET		1	*	
A04-1	198900-7	WIRELESS UNIT SET		1	*	
A04-2	198900-7	WIRELESS UNIT SET	<	1	*	
A04-3	198900-7	WIRELESS UNIT SET	<	1		
A13	199710-5	CUTTING W.C.A. 125 SET		1		
F04-1	194514-0	VIBRATION PROOF GRIP SET	O	1		
F23	191W06-8	115/125MM DUST COVER K SET		1		
C10	743129-6	BRUSH A		1		
C20	743130-1	BRUSH B		1		
049	213218-6	O RING 16		1	*	

049-1	213A42-3	O-RING16	O	1			
050	183J85-2	CAP SET		1	*		
050-1	140G30-2	CAP COMPLETE	<	1			

Please state Parts No. when your order.

Print Date 01/29/2024