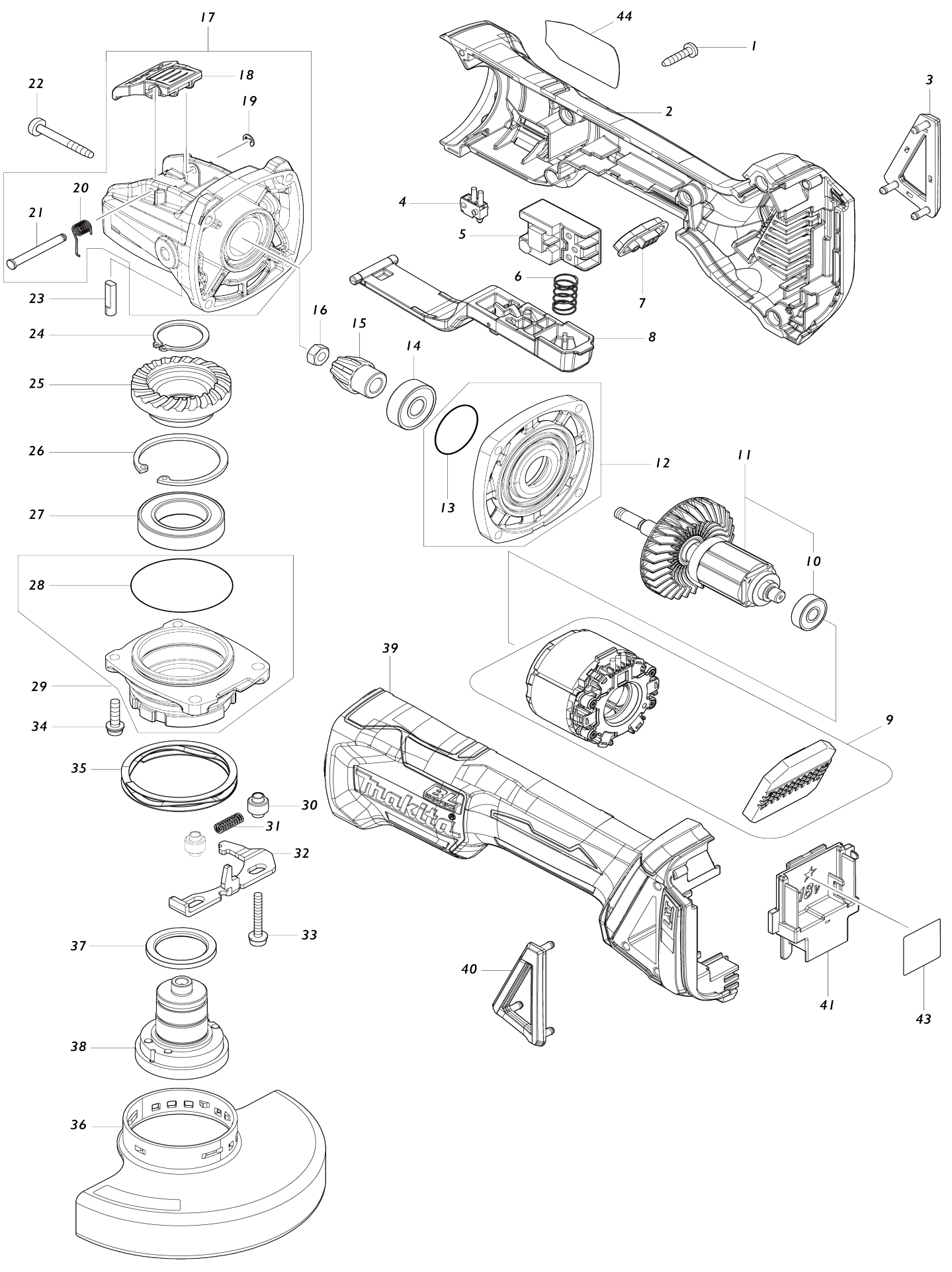


Model No.DGA520 125MM CORDLESS ANGLE GRINDER



Model No.DGA520 125MM CORDLESS ANGLE GRINDER

Item No.	Parts No.	Description	Interchangability	Q'ty	New/Old	Note1	Note2
001	265B67-9	TAPPING SCREW 4X18		5			
002	183J41-2	MOTOR HOUSING SET		1			
C10	263005-3	RUBBER PIN 6		2			
D10		INC. 39					
003	455450-8	DUST COVER R		1			
004	632E12-1	SWITCH UNIT		1			
005	650734-1	SWITCH TG73BDS-2		1			
006	234357-9	COMPRESSION SPRING 11		1			
007	142901-7	INDICATOR PANEL COMPLETE		1			
008	142976-6	SWITCH LEVER COMPLETE		1			
009	629203-3	STATOR COMPLETE		1	*		
009-1	629B61-9	STATOR	S	1			
010	210169-4	BALL BEARING 607LLB		1			
011	510440-9	ROTOR ASS'Y		1	*		
D10		INC. 10					
011-1	510440-9	ROTOR ASS'Y	O	1			
D10		INC. 10					
012	136170-0	GEAR HOUSING COVER ASS'Y		1			
D10		INC. 13					
013	213407-3	O RING 26		1			
014	210042-8	BALL BEARING 629LLB		1			
015	226950-3	SPIRAL BEVEL GEAR 10		1			
016	252186-8	HEX. NUT M6		1			
017	136209-9	GEAR HOUSING ASS'Y		1			
D10		INC. 18-21					
018	459967-3	LEVER		1			
019	961017-7	STOP RING E-3		1			
020	232576-1	TORSION SPRING 5		1			
021	256935-5	HEADED PIN 4		1			
022	265B70-0	TAPPING SCREW 4X30		4			
023	327460-4	SHAFT		1			
024	961104-2	RETAINING RING S-24		1			
025	226951-1	SPIRAL BEVEL GEAR 37		1			
026	962201-7	RETAINING RING (INT) R-42		1			
027	210208-0	BALL BEARING 6905DDW		1			
028	213622-9	O RING 45		1			
029	136199-6	BEARING BOX ASS'Y		1			
D10		INC. 28					
030	327322-6	SLEEVE 4		2			
031	232490-1	COMPRESSION SPRING 4		1			
032	347615-5	LEVER		1			
033	911159-7	PAN HEAD SCREW M4X30		2			
034	911138-5	P.H.SCREW M4X20 WITH WR		2			
035	232577-9	COLIED WAVE SPRING 49		1	*		
035-1	232577-9	COLIED WAVE SPRING 49	O	1			
036	347618-9	WHEEL COVER 125		1	*		
036-1	141L27-4	WHEEL COVER 125 COMPLETE	<	1			

C10	8050A1-8	CAUTION LABEL		1		
037	327459-9	RING 25		1		
038	127428-8	SPINDLE ASSEMBLY		1		
039	183J41-2	MOTOR HOUSING SET		1		
C10	263005-3	RUBBER PIN 6		2		
D10		INC. 2				
040	455449-3	DUST COVER L		1		
041	643874-2	TERMINAL		1		
043	811Y70-2	DGA520 SERIAL NO. LABEL		1		
044	811Y69-7	DGA520 NAME PLATE		1		
048	620K34-9	CONTROLLER	S	1		
049	652119-7	PAN HEAD SCREW M2X6	S	6		
A02	158237-4	GRIP 36 COMPLETE		1		
A05	199710-5	CUTTING W.C.A. 125 SET		1		
F03	191G05-4	125MM DUST COLLECT COVER SET		1		
F04	194514-0	VIBRATION PROOF GRIP SET		1		

Please state Parts No. when your order.

Print Date 01/29/2024