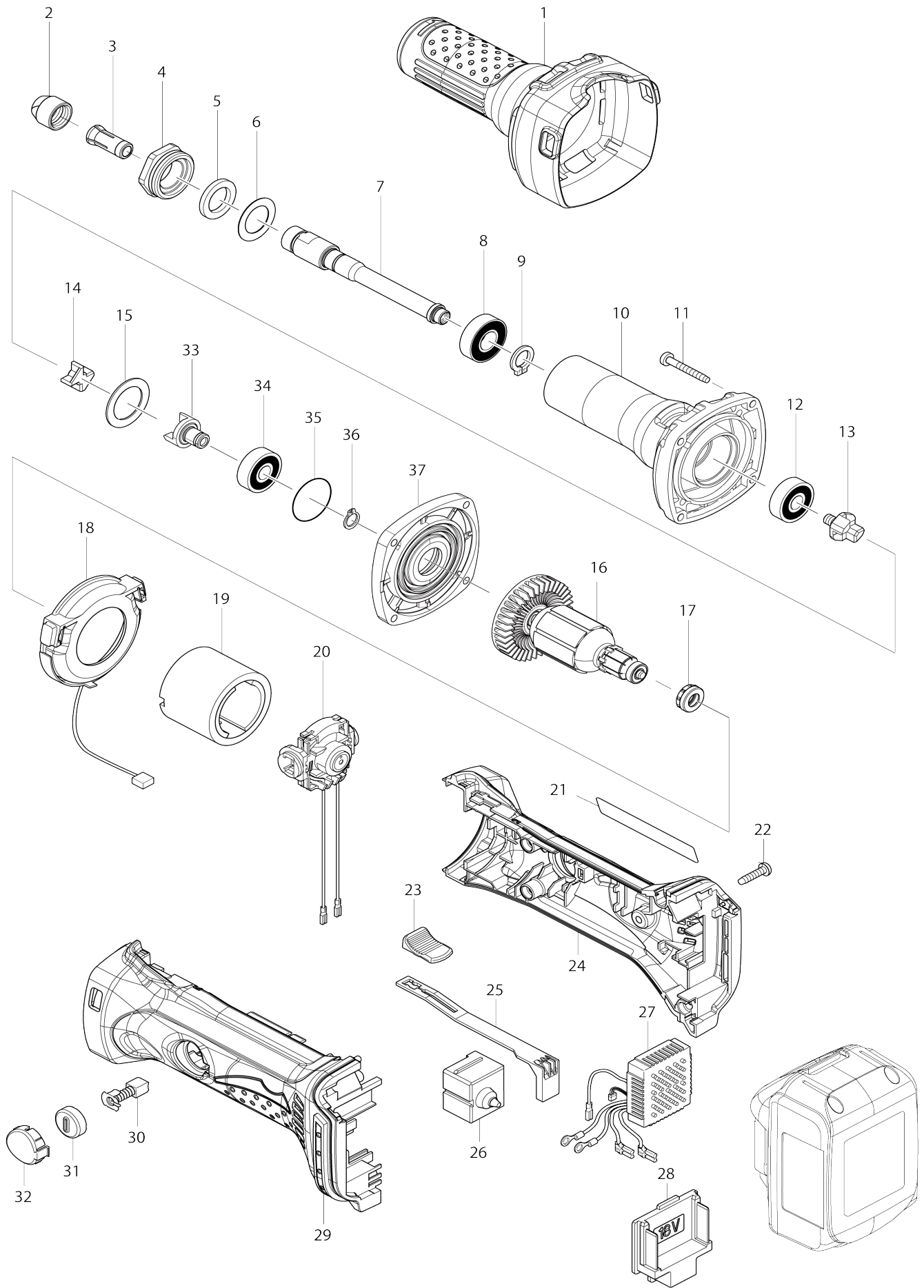


Model No.DGD800 CORDLESS DIE GRINDER



Model No.DGD800 CORDLESS DIE GRINDER

Item No.	Parts No.	Description	Interchangability	Q'ty	New/Old	Note1	Note2
001	424380-4	INSULATION COVER		1			
002	763668-0	COLLET NUT		1			
003	763670-3	COLLET CONE 6		1			
004	317999-5	BEARING RETAINER		1			
005	443124-3	FELT RING 17		1			
006	267329-9	FLAT WASHER 18		1			
007	326010-2	SPINDLE		1			
008	210106-8	BALL BEARING 6001LLB		1			
009	961052-5	RETAINING RING (EXT) S-12		1			
010	318000-9	BARREL		1			
011	266361-0	TAPPING SCREW 4X30		4			
012	210042-8	BALL BEARING 629LLB		1			
013	324639-8	COUPLING		1			
014	421942-9	SPACER		1			
015	267126-3	FLAT WASHER 22		1			
016	619284-5	ARMATURE		1			
D10		INC. 17					
017	421977-0	RUBBER RING 13		1			
018	631714-6	LED CIRCUIT		1			
019	638627-2	YOKE UNIT		1			
020	638921-2	ENDBELL COMPLETE		1			
021	815P35-2	DGD800 NAME PLATE		1			
022	265995-6	TAPPING SCREW 4X18		5	*		
022-1	266326-2	TAPPING SCREW 4X18	O	5			
023	419566-3	SWITCH KNOB		1			
024	187843-8	HOUSING SET		1			
C10	263005-3	RUBBER PIN 6		2			
D10		INC. 29					
025	419519-2	SWITCH LEVER		1			
026	650579-7	SWITCH 1246.3223		1			
027	620243-4	CONTROLLER		1			
028	644808-8	TERMINAL		1			
029	187843-8	HOUSING SET		1			
C10	263005-3	RUBBER PIN 6		2			
D10		INC. 24					
030	191971-3	CARBON BRUSH CB-430		1			
031	643929-3	BRUSH HOLDER CAP		2			
032	419518-4	HOLDER CAP COVER		2			
033	326009-7	COUPLING		1			
034	210042-8	BALL BEARING 629LLB		1			
035	213445-5	O-RING 26		1	*		
035-1	213407-3	O RING 26	O	1			
036	961005-4	RETAINING RING S-9		1			
037	317821-6	GEAR HOUSING COVER		1			
A01	781039-9	WRENCH 13		2			
F15-2	196235-0	BATTERY BL1815N SET	O	1			
F16-1	196449-1	BATTERY BL1815N SET	O	1			

F17-2	196449-1	BATTERY BL1815N SET	O	1		
A02	450128-8	BATTERY COVER		1		
A03	***DC18RC	DC18RC FAST CHARGER		1		
A04	194204-5	BATTERY BL1830 SET		2	*	
A04-1	194204-5	BATTERY BL1830 SET	O	2	*	
A04-2	197600-6	BATTERY BL1830B SET	<	2	*	
A04-3	197600-6	BATTERY BL1830B SET	O	2		
A05	141482-8	PLASTIC CASE COMPLETE		1		
C10	162315-4	LATCH		2		
A06	803U25-7	DGD800RFE PLASTIC CASE LABEL		2		
A05	821550-0	CONNECTOR PLASTIC CASE (TYPE2)		1		
C10	453974-8	LATCH		4		
A06	837806-1	INNER TRAY		1		
A07	803U21-5	DGD800RFJ INDICATION LABEL		1		
A08	803U22-3	DGD800RFJ PLASTIC CASE LABEL		2		
A07	803U23-1	DGD800ZJ INDICATION LABEL		1		
A08	803U24-9	DGD800ZJ PLASTIC CASE LABEL		2		
A04	196399-0	BATTERY BL1840 SET		2	*	
A04-1	196399-0	BATTERY BL1840 SET	O	2	*	
A04-2	197265-4	BATTERY BL1840B SET	<	2	*	
A04-3	197265-4	BATTERY BL1840B SET	O	2		
A07	804E98-7	DGD800RMJ INDICATION LABEL		1		
A08	804E99-5	DGD800RMJ PLASTIC CASE LABEL		2		

Please state Parts No. when your order.

Print Date 25/10/2023