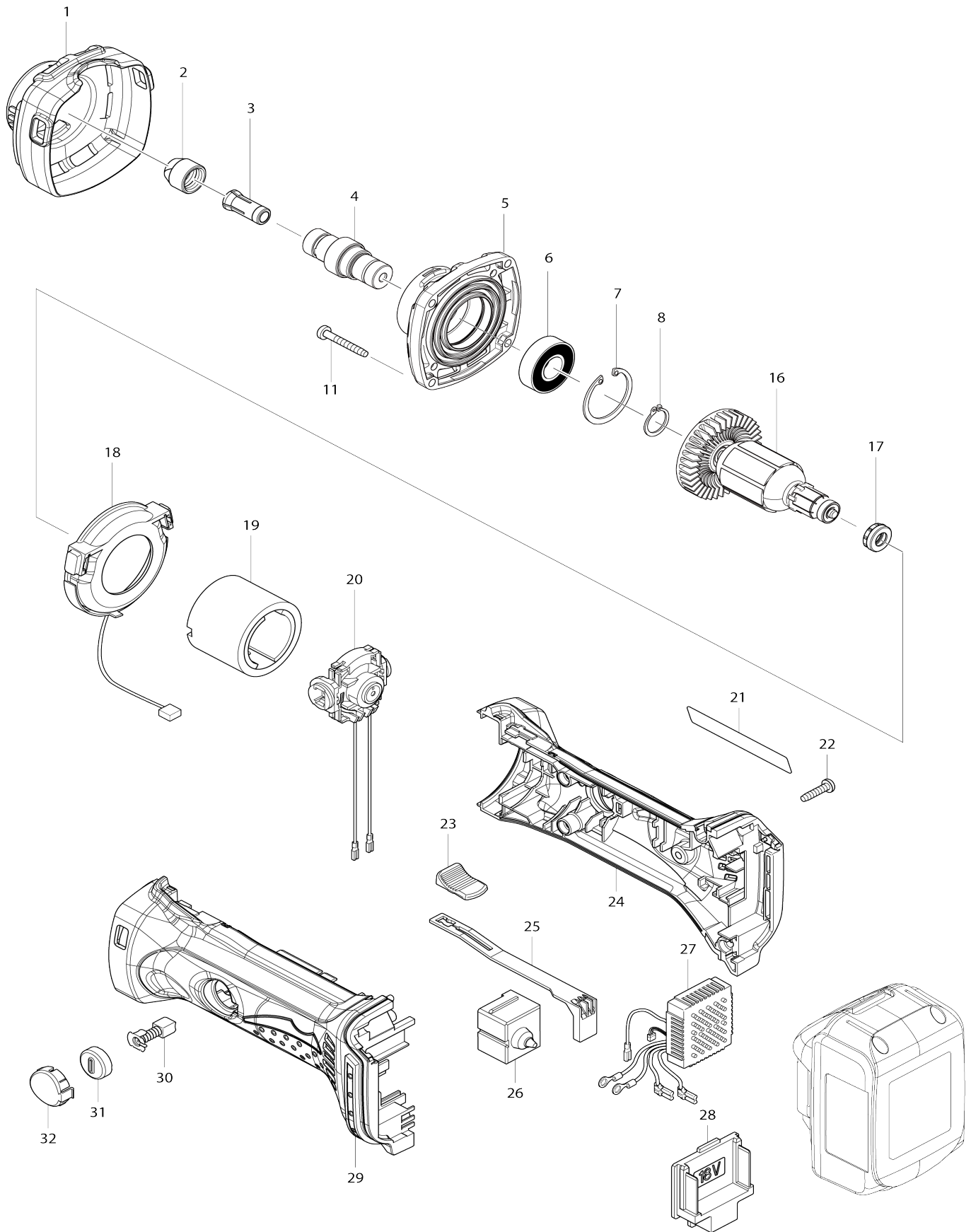


Model No.DGD801 CORDLESS DIE GRINDER



Model No.DGD801 CORDLESS DIE GRINDER

Item No.	Parts No.	Description	Interchangability	Q'ty	New/Old	Note1	Note2
001	424381-2	INSULATION COVER		1			
002	763668-0	COLLET NUT		1			
003	763670-3	COLLET CONE 6		1			
004	326011-0	SPINDLE		1			
005	140091-0	BEARING BOX COMPLETE		1			
C10	262118-7	FELT RING 18		1			
006	211237-6	BALL BEARING 6002LLB		1			
007	962151-6	RETAINING RING R-32		1			
008	961055-9	RETAINING RING S-15		1			
011	266324-6	TAPPING SCREW 4X22		4			
016	619285-3	ARMATURE		1			
D10		INC. 17					
017	421977-0	RUBBER RING 13		1			
018	631714-6	LED CIRCUIT		1			
019	638627-2	YOKE UNIT		1			
020	638921-2	ENDBELL COMPLETE		1			
021	815P39-4	DGD801 NAME PLATE		1			
022	265995-6	TAPPING SCREW 4X18		5	*		
022-1	266326-2	TAPPING SCREW 4X18	O	5			
023	419566-3	SWITCH KNOB		1			
024	187843-8	HOUSING SET		1			
C10	263005-3	RUBBER PIN 6		2			
D10		INC. 29					
025	419519-2	SWITCH LEVER		1			
026	650579-7	SWITCH 1246.3223		1			
027	620243-4	CONTROLLER		1			
028	644808-8	TERMINAL		1			
029	187843-8	HOUSING SET		1			
C10	263005-3	RUBBER PIN 6		2			
D10		INC. 24					
030	191971-3	CARBON BRUSH CB-430		1			
031	643929-3	BRUSH HOLDER CAP		2			
032	419518-4	HOLDER CAP COVER		2			
A01	781039-9	WRENCH 13		2			
A02	450128-8	BATTERY COVER		1			
A03	***DC18RC	DC18RC FAST CHARGER		1			
A04	194204-5	BATTERY BL1830 SET		2	*		
A04-1	194204-5	BATTERY BL1830 SET	O	2	*		
A04-2	197600-6	BATTERY BL1830B SET	<	2	*		
A04-3	197600-6	BATTERY BL1830B SET	O	2			
A05	141482-8	PLASTIC CASE COMPLETE		1			
C10	162315-4	LATCH		2			
A06	803U27-3	DGD801RFE PLASTIC CASE LABEL		2			

Please state Parts No. when your order.

Print Date 25/10/2023