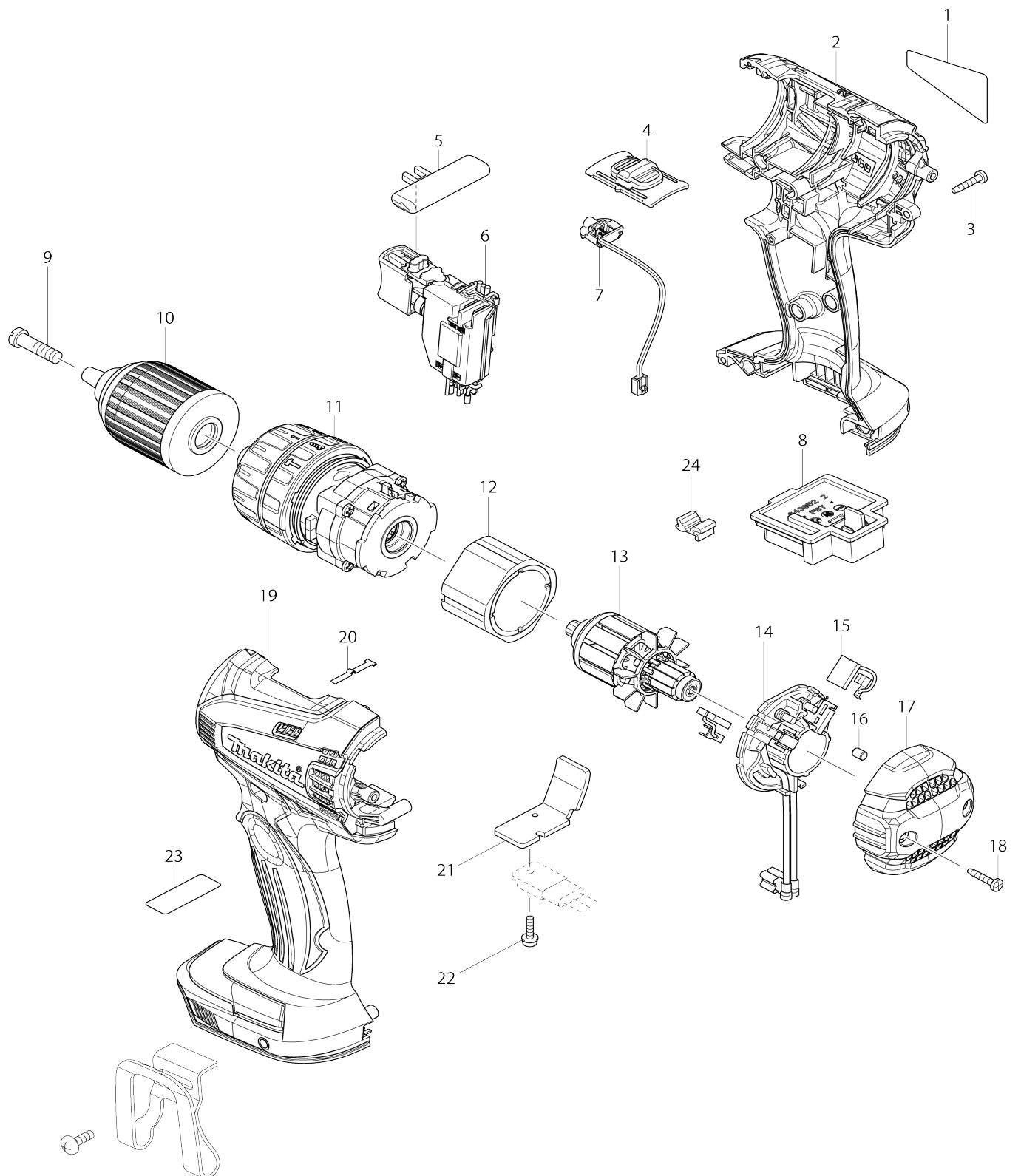


Model No.DHP456 CORDLESS HAMMER DRIVER DRILL



Model No.DHP456 CORDLESS HAMMER DRIVER DRILL

Item No.	Parts No.	Description	Interchangability	Q'ty	New/Old	Note1	Note2
001	815C81-7	DHP456 NAME PLATE		1			
002	188971-2	HOUSING SET		1			
C10	263005-3	RUBBER PIN 6		2			
D10		INC. 19					
003	266429-2	TAPPING SCREW 3X16		9			
004	126289-3	SPEED CHANGE LEVER ASSEMBLY		1			
C10	233438-6	COMPRESSION SPRING 4		2			
005	419250-0	F/R CHANGE LEVER		1			
006	650637-9	SWITCH		1	*		
006-1	650731-7	SWITCH C3HZ-1A-TLMS	<	1	*		
006-2	650747-2	SWITCH C3HA-Z1A-TLMS	<	1			
007	620012-3	LED CIRCUIT		1	*		
007-1	620388-8	LED CIRCUIT	O	1			
008	643852-2	TERMINAL		1			
009	251468-5	- FLAT HEAD SCREW M6X22		1			
010	763175-3	KEYLESS DRILL CHUCK 13		1	*		
010-1	766027-7	KEYLESS DRILL CHUCK 13	O	1			
011	125848-0	GEAR ASSEMBLY		1	*		
011-1	126460-9	GEAR ASSEMBLY	<	1			
012	638425-4	YOKE UNIT		1	*		
012-1	632J71-5	YOKE UNIT	<	1			
013	619263-3	ARMATURE		1			
014	638845-2	BRUSH HOLDER COMPLETE		1			
C20	654874-7	RECEPTACLE		2			
015	194427-5	CARBON BRUSH SET CB-440		1	*		
015-1	195021-6	CARBON BRUSH SET CB-440	O	1			
016	263032-0	RUBBER PIN 4		2			
017	452205-2	REAR COVER		1			
018	266429-2	TAPPING SCREW 3X16		2			
019	188971-2	HOUSING SET		1			
C10	263005-3	RUBBER PIN 6		2			
D10		INC. 2					
020	232182-2	LEAF SPRING		1			
021	689170-4	HEAT SINK		1			
022	911013-5	PAN HEAD SCREW M3X10		1			
024	424476-1	CUSHION		1			
A01	251314-2	+ SCREW M4X12		1			
A02	346317-0	HOOK		1			
A03	784637-8	+ - BIT 2-45		1			
A04	140354-4	PLASTIC CASE COMPLETE		1			
C10	419216-0	HANDLE		1			
C20	417724-5	LATCH		2			
C30	419268-1	PLASTIC CASE LID		1			
C40	419269-9	PLATE		5			
C50	324667-3	SHAFT		1			
A05	450128-8	BATTERY COVER		1			
A06	***DC18RC	DC18RC FAST CHARGER		1			

A07	194204-5	BATTERY BL1830 SET		2	*		
A07-1	194204-5	BATTERY BL1830 SET	O	2	*		
A07-2	197600-6	BATTERY BL1830B SET	<	2	*		
A07-3	197600-6	BATTERY BL1830B SET	O	2			
A08	802R47-6	DHP456RFE PLASTIC CASE LABEL		1			
F06	194513-2	BATTERY BL1815 SET		1			
F07	195445-6	BATTERY BL1815 SET		1			
F09-1	199154-9	KEYLESS DRILL CHUCK 13 SET	O	1			
F10-1	196235-0	BATTERY BL1815N SET	O	1			
F12-2	196235-0	BATTERY BL1815N SET	O	1			
F13-1	196449-1	BATTERY BL1815N SET	O	1			
F14-2	196449-1	BATTERY BL1815N SET	O	1			
A02	346449-3	HOOK		1			
A04	141856-3	PLASTIC CARRYING CASE COMPL ETE		1			
C10	162302-3	LATCH		2			
C20	324207-7	SHAFT		1			
C30	451749-9	HANDLE		1			
A07	194513-2	BATTERY BL1815 SET		2			
A08	802R37-9	DHP456RHE PLASTIC CASE LABEL		2			
A04	821550-0	CONNECTOR PLASTIC CASE (TYP E2)		1			
C10	453974-8	LATCH		4			
A08	837916-4	INNER TRAY		1			
A09	802R18-3	DHP456RFJ INDICATION LABEL		1			
A10	802R34-5	DHP456RFJ PLASTIC CASE LABEL		2			
A05	837916-4	INNER TRAY		1			
A06	802R19-1	DHP456ZJ INDICATION LABEL		1			
A07	802R31-1	DHP456ZJ PLASTIC CASE LABEL		2			
A07	196399-0	BATTERY BL1840 SET		2	*		
A07-1	196399-0	BATTERY BL1840 SET	O	2	*		
A07-2	197265-4	BATTERY BL1840B SET	<	2	*		
A07-3	197265-4	BATTERY BL1840B SET	O	2			
A08	802R41-8	DHP456RME PLASTIC CASE LABEL		1			
A07	196460-3	BATTERY BL1820 SET		2	*		
A07-1	197254-9	BATTERY BL1820B SET	<	2	*		
A07-2	197254-9	BATTERY BL1820B SET	O	2			
A08	802R50-7	DHP456RAE PLASTIC CASE LABEL		2			
A09	802S39-1	DHP456RMJ INDICATION LABEL		1			
A10	802S40-6	DHP456RMJ PLASTIC CASE LABEL		2			
A09	803B95-2	DHP456RF3J INDICATION LABEL		1			
A10	803B96-0	DHP456RF3J PLASTIC CASE LABEL		2			
A07	196235-0	BATTERY BL1815N SET		2	*		
A07-1	196235-0	BATTERY BL1815N SET	O	2			
A08	803G09-1	DHP456RYE PLASTIC CASE LABEL		2			

Please state Parts No. when your order.

Print Date 11/17/2023