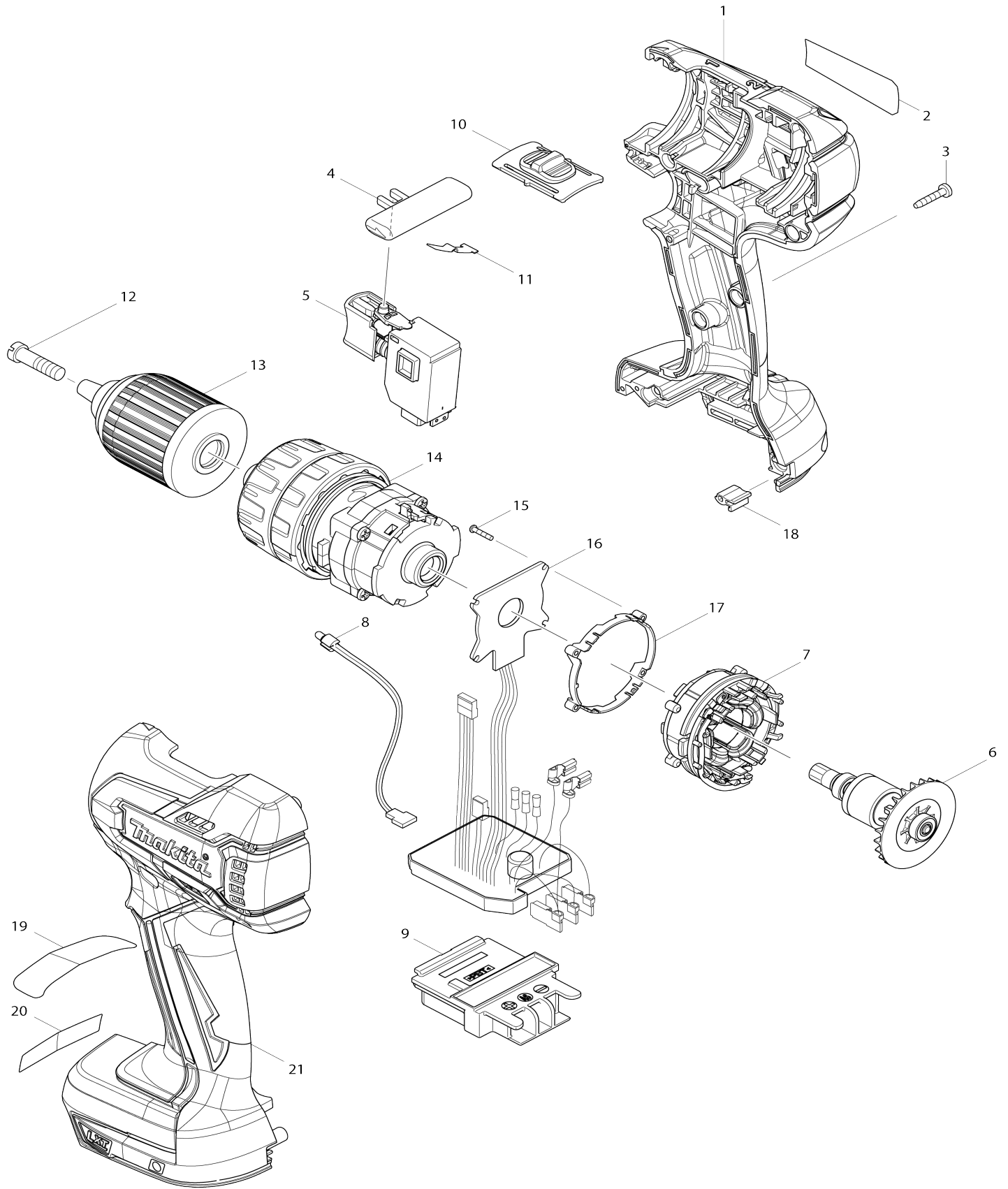


Model No.DHP459 CORDLESS HAMMER DRIVER DRILL



Model No.DHP459 CORDLESS HAMMER DRIVER DRILL

Item No.	Parts No.	Description	Interchangability	Q'ty	New/Old	Note1	Note2
001	187454-9	HOUSING SET		1	*		
C10	263005-3	RUBBER PIN 6		2	*		
D10		INC. 21					
001-1	187454-9	HOUSING SET	O	1			
C10	263005-3	RUBBER PIN 6		2			
D10		INC. 21					
002	815B76-4	DHP459 NAME PLATE		1			
003	266429-2	TAPPING SCREW 3X16		9			
004	419250-0	F/R CHANGE LEVER		1			
005	650689-0	SWITCH C3JW-2B		1			
006	619304-5	ROTOR		1			
007	629960-3	STATOR		1			
008	620163-2	LED CIRCUIT		1	*		
008-1	620624-2	LED CIRCUIT	<	1			
009	643860-3	TERMINAL		1			
010	126180-5	SPEED CHANGE LEVER ASSEMBLY		1			
C10	233438-6	COMPRESSION SPRING 4		2			
011	232182-2	LEAF SPRING		1			
012	251468-5	- FLAT HEAD SCREW M6X22		1			
013	763175-3	KEYLESS DRILL CHUCK 13		1	*		
013-1	766027-7	KEYLESS DRILL CHUCK 13	O	1			
014	126179-0	GEAR ASSEMBLY		1			
015	266786-8	+ PAN HEAD TAPPING SCREW 2X10		4			
016	620162-4	CONTROLLER		1			
017	687464-1	SUPPORT		1			
018	424517-3	CUSHION		1			
021	187454-9	HOUSING SET		1	*		
C10	263005-3	RUBBER PIN 6		2	*		
D10		INC. 1					
021-1	187454-9	HOUSING SET	O	1			
C10	263005-3	RUBBER PIN 6		2			
D10		INC. 1					
A01	251314-2	+ SCREW M4X12		1			
A02	346317-0	HOOK		1			
A03	784637-8	+ - BIT 2-45		1			
F08	194513-2	BATTERY BL1815 SET		1			
F10-3	197606-4	BATTERY BL1830B SET (2PIECES)	O	1			
F13	195445-6	BATTERY BL1815 SET		1			
F15-1	199154-9	KEYLESS DRILL CHUCK 13 SET	O	1			
F16-3	197267-0	BATTERY BL1840B SET	O	1			
F17-3	197265-4	BATTERY BL1840B SET	O	1			
F18-3	197273-5	BATTERY BL1840B SET(2PIECES)	O	1			
F19-1	196235-0	BATTERY BL1815N SET	O	1			
F21-2	196235-0	BATTERY BL1815N SET	O	1			
F22-1	196449-1	BATTERY BL1815N SET	O	1			
F23-2	196449-1	BATTERY BL1815N SET	O	1			

A02	346449-3	HOOK		1		
A04	***DC18SD	DC18SD BATTERY CHARGER		1		
A05	194513-2	BATTERY BL1815 SET		2		
A06	450128-8	BATTERY COVER		1		
A07	158597-4	PLASTIC CASE COMPLETE		1		
C10	324679-6	SHAFT		1		
C20	417724-5	LATCH		2		
C30	419216-0	HANDLE		1		
A08	802M70-1	DHP459SHE PLASTIC CASE LABEL		2		
A04	***DC18RC	DC18RC FAST CHARGER		1		
A05	194204-5	BATTERY BL1830 SET		2	*	
A05-1	194204-5	BATTERY BL1830 SET	O	2	*	
A05-2	197600-6	BATTERY BL1830B SET	<	2	*	
A05-3	197600-6	BATTERY BL1830B SET	O	2		
A07	821550-0	CONNECTOR PLASTIC CASE (TYP E2)		1		
C10	453974-8	LATCH		4		
A08	837916-4	INNER TRAY		1		
A09	802M92-1	DHP459RFJ INDICATION LABEL		1		
A10	802M77-7	DHP459RFJ PLASTIC CASE LABEL		2	*	
A10-1	808W70-9	DHP459RFJ PLASTIC CASE LABEL	O	2		
A04	821550-0	CONNECTOR PLASTIC CASE (TYP E2)		1		
C10	453974-8	LATCH		4		
A05	837916-4	INNER TRAY		1		
A06	802M93-9	DHP459ZJ INDICATION LABEL		1		
A07	802M78-5	DHP459ZJ PLASTIC CASE LABEL		2		
A05	196399-0	BATTERY BL1840 SET		2	*	
A05-1	196399-0	BATTERY BL1840 SET	O	2	*	
A05-2	197265-4	BATTERY BL1840B SET	<	2	*	
A05-3	197265-4	BATTERY BL1840B SET	O	2		
A08	802M80-8	DHP459RME PLASTIC CASE LABEL		2	*	
A08-1	802M79-3	DHP459RME PLASTIC CASE LABEL	<	2		
A05	196460-3	BATTERY BL1820 SET		2	*	
A05-1	197254-9	BATTERY BL1820B SET	<	2	*	
A05-2	197254-9	BATTERY BL1820B SET	O	2		
A08	802M81-6	DHP459RAE PLASTIC CASE LABEL		2		
A09	802M94-7	DHP459RMJ INDICATION LABEL		1		
A10	802M82-4	DHP459RMJ PLASTIC CASE LABEL		2		
A08	837863-9	INNER TRAY		1		
A09	802M95-5	DHP459SHJ INDICATION LABEL		1		
A10	802M84-0	DHP459SHJ PLASTIC CASE LABEL		2		
A05	196235-0	BATTERY BL1815N SET		2	*	
A05-1	196235-0	BATTERY BL1815N SET	O	2		
A08	803F95-6	DHP459SYE PLASTIC CASE LABEL		2	*	
A08-1	802M83-2	DHP459SYE PLASTIC CASE LABEL	<	2		
A09	803F98-0	DHP459SYJ INDICATION LABEL		1		
A10	803F97-2	DHP459SYJ PLASTIC CASE LABEL		2		

Please state Parts No. when your order.

Print Date 24/10/2023