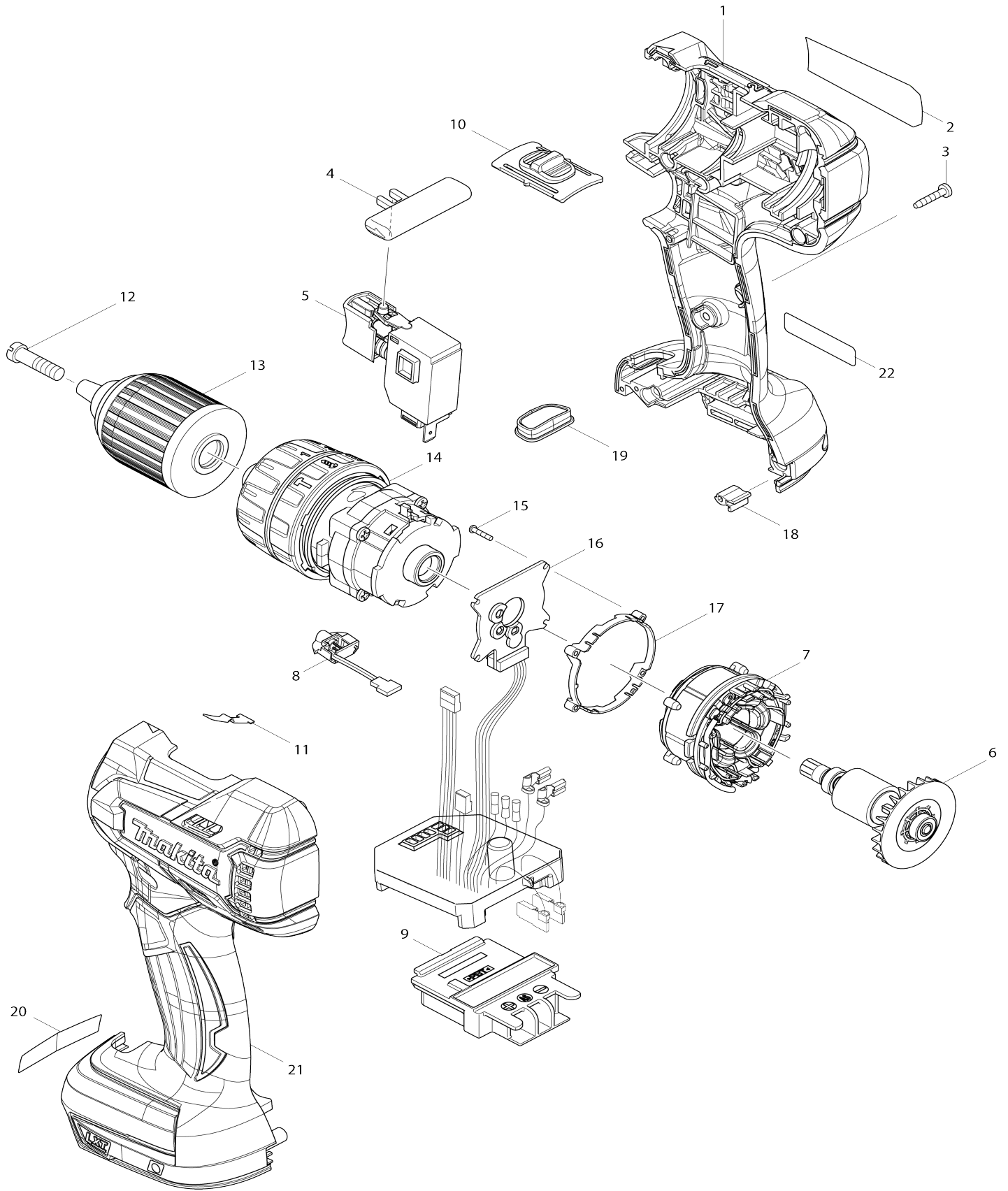


# Model No.DHP480 CORDLESS HAMMER DRIVER DRILL



Model No.DHP480 CORDLESS HAMMER DRIVER DRILL

| Item No. | Parts No. | Description                    | Interchangability | Q'ty | New/Old | Note1 | Note2 |
|----------|-----------|--------------------------------|-------------------|------|---------|-------|-------|
| 001      | 187714-9  | HOUSING SET                    |                   | 1    |         |       |       |
| C10      | 263005-3  | RUBBER PIN 6                   |                   | 2    |         |       |       |
| D10      |           | INC. 21                        |                   |      |         |       |       |
| 002      | 814X16-1  | DHP480 NAME PLATE              |                   | 1    |         |       |       |
| 003      | 266429-2  | TAPPING SCREW 3X16             |                   | 9    |         |       |       |
| 004      | 419250-0  | F/R CHANGE LEVER               |                   | 1    |         |       |       |
| 005      | 650710-5  | SWITCH C3JW-4B                 |                   | 1    |         |       |       |
| 006      | 619331-2  | ROTOR                          |                   | 1    |         |       |       |
| 007      | 629999-6  | STATOR                         |                   | 1    |         |       |       |
| 008      | 620244-2  | LED CIRCUIT                    |                   | 1    |         |       |       |
| 009      | 643860-3  | TERMINAL                       |                   | 1    |         |       |       |
| 010      | 126180-5  | SPEED CHANGE LEVER ASSEMBLY    |                   | 1    |         |       |       |
| C10      | 233438-6  | COMPRESSION SPRING 4           |                   | 2    |         |       |       |
| 011      | 232182-2  | LEAF SPRING                    |                   | 1    |         |       |       |
| 012      | 251468-5  | - FLAT HEAD SCREW M6X22        |                   | 1    |         |       |       |
| 013      | 763175-3  | KEYLESS DRILL CHUCK 13         |                   | 1    | *       |       |       |
| 013-1    | 766027-7  | KEYLESS DRILL CHUCK 13         | O                 | 1    |         |       |       |
| 014      | 126353-0  | GEAR ASSEMBLY                  |                   | 1    |         |       |       |
| 015      | 266786-8  | + PAN HEAD TAPPING SCREW 2X10  |                   | 4    |         |       |       |
| 016      | 620245-0  | CONTROLLER                     |                   | 1    |         |       |       |
| 017      | 687464-1  | SUPPORT                        |                   | 1    |         |       |       |
| 018      | 424517-3  | CUSHION                        |                   | 1    |         |       |       |
| 019      | 142263-3  | INDICATOR PANEL COMPLETE       |                   | 1    |         |       |       |
| 021      | 187714-9  | HOUSING SET                    |                   | 1    |         |       |       |
| C10      | 263005-3  | RUBBER PIN 6                   |                   | 2    |         |       |       |
| D10      |           | INC. 1                         |                   |      |         |       |       |
| A01      | 251314-2  | + SCREW M4X12                  |                   | 1    |         |       |       |
| A02      | 346317-0  | HOOK                           |                   | 1    |         |       |       |
| A03      | 784637-8  | +/- BIT 2-45                   |                   | 1    |         |       |       |
| A04      | ***DC18RC | DC18RC FAST CHARGER            |                   | 1    |         |       |       |
| A05      | 196399-0  | BATTERY BL1840 SET             |                   | 2    | *       |       |       |
| A05-1    | 196399-0  | BATTERY BL1840 SET             | O                 | 2    | *       |       |       |
| A05-2    | 197265-4  | BATTERY BL1840B SET            | <                 | 2    | *       |       |       |
| A05-3    | 197265-4  | BATTERY BL1840B SET            | O                 | 2    |         |       |       |
| A06      | 450128-8  | BATTERY COVER                  |                   | 1    |         |       |       |
| A07      | 821550-0  | CONNECTOR PLASTIC CASE (TYPE2) |                   | 1    |         |       |       |
| C10      | 453974-8  | LATCH                          |                   | 4    |         |       |       |
| A08      | 837679-2  | INNER TRAY                     |                   | 1    | *       |       |       |
| A08-1    | 837916-4  | INNER TRAY                     | <                 | 1    |         |       |       |
| A09      | 802F98-7  | DHP480RMJ PLASTIC CASE LABEL   |                   | 2    |         |       |       |
| A10      | 802F97-9  | DHP480RMJ INDICATION LABEL     |                   | 1    |         |       |       |
| A02      | 346449-3  | HOOK                           |                   | 1    |         |       |       |
| A05      | 196460-3  | BATTERY BL1820 SET             |                   | 2    | *       |       |       |
| A05-1    | 197254-9  | BATTERY BL1820B SET            | <                 | 2    | *       |       |       |
| A05-2    | 197254-9  | BATTERY BL1820B SET            | O                 | 2    |         |       |       |

|     |          |                              |  |   |  |  |  |
|-----|----------|------------------------------|--|---|--|--|--|
| A08 | 837863-9 | INNER TRAY                   |  | 1 |  |  |  |
| A09 | 802F96-1 | DHP480RAJ PLASTIC CASE LABEL |  | 2 |  |  |  |
| A10 | 802F95-3 | DHP480RAJ INDICATION LABEL   |  | 1 |  |  |  |

Please state Parts No. when your order.

Print Date 24/10/2023