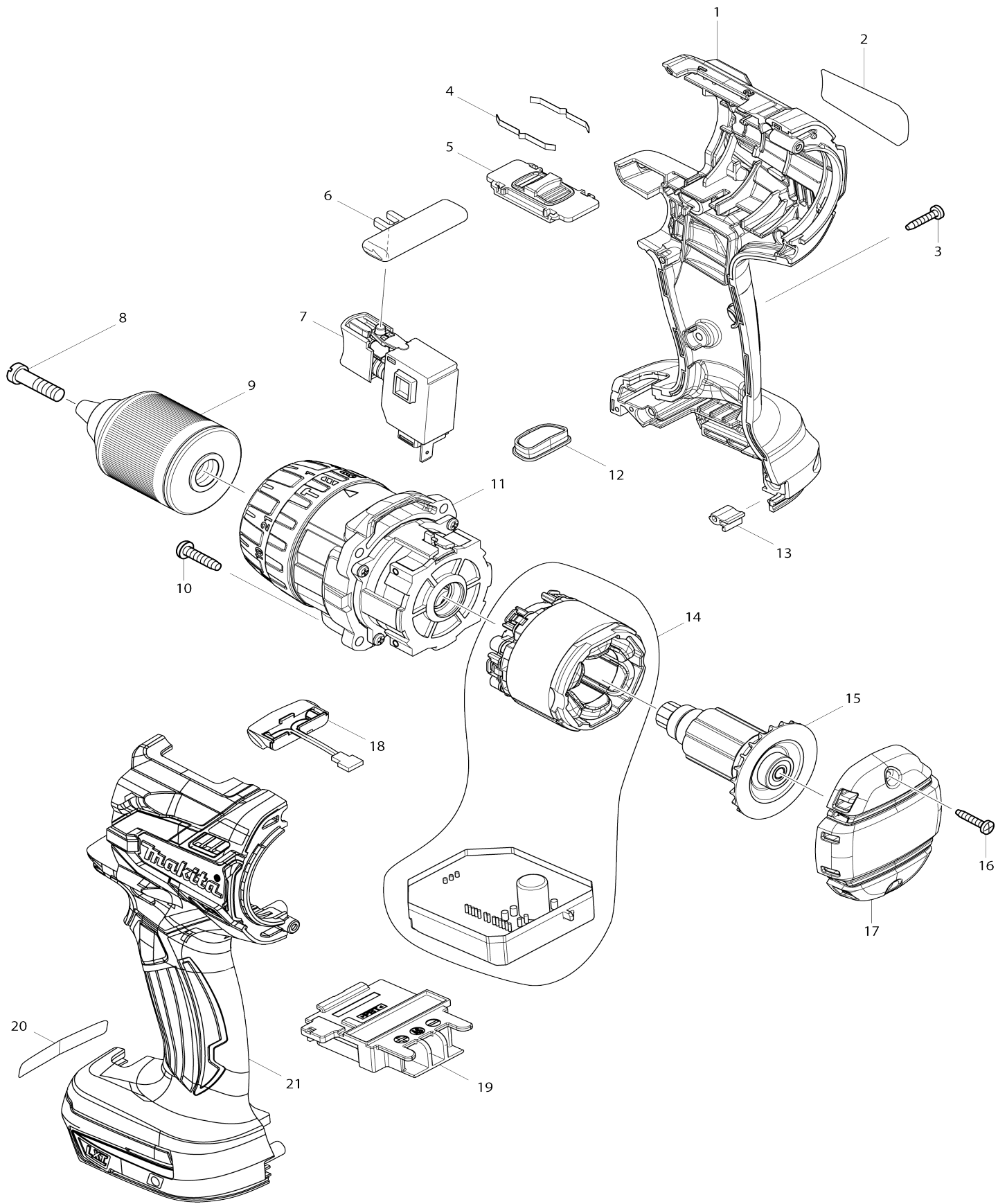


# Model No.DHP481 CORDLESS HAMMER DRIVER DRILL



Model No.DHP481 CORDLESS HAMMER DRIVER DRILL

Item No.	Parts No.	Description	Interchangeability	Q'ty	New/Old	Note1	Note2
001	187921-4	HOUSING SET		1			
C10	263005-3	RUBBER PIN 6		2			
D10		INC. 21					
002	815571-6	DHP481 NAME PLATE		1	*		
002-1	857L10-8	DHP481 NAME PLATE	S	1			
003	266130-9	TAPPING SCREW BIND PT 3X16		7			
004	232220-0	LEAF SPRING		2			
005	126411-2	SPEED CHANGE LEVER ASSEMBLY		1			
C10	233438-6	COMPRESSION SPRING 4		2			
006	419250-0	F/R CHANGE LEVER		1			
007	650710-5	SWITCH C3JW-4B		1	*		
007-1	650006-4	SWITCH TGRK2-1	O	1			
008	251468-5	- FLAT HEAD SCREW M6X22		1			
009	766015-4	KEYLESS DRILL CHUCK 13		1	*		
009-1	763248-2	KEYLESS DRILL CHUCK 13	<	1	*		
009-2	763252-1	KEYLESS DRILL CHUCK 13	O	1			
010	265995-6	TAPPING SCREW 4X18		4			
011	126410-4	GEAR ASSEMBLY		1			
012	142263-3	INDICATOR PANEL COMPLETE		1			
013	424517-3	CUSHION		1			
014	629116-8	STATOR COMPLETE		1			
015	619336-2	ROTOR		1	*		
015-1	619397-2	ROTOR	O	1			
016	266130-9	TAPPING SCREW BIND PT 3X16		2			
017	455011-4	REAR COVER		1			
018	620283-2	LED CIRCUIT		1			
019	643899-6	TERMINAL		1			
021	187921-4	HOUSING SET		1			
C10	263005-3	RUBBER PIN 6		2			
D10		INC. 1					
022	857L11-6	DHP481 SERIAL NO. LABEL	S	1			
A01	122576-8	STOPPER POLE ASS'Y		1			
A02	126413-8	GRIP ASSEMBLY		1	*		
C10	142652-2	POLE COMPLETE		1	*		
C11	140R59-4	POLE COMPLETE	<	1	*		
C20	142653-0	ARM R COMPLETE		1	*		
C30	265785-7	THUMB SCREW M5X10		1	*		
C40	266886-4	HEX. BOLT M8X65		1	*		
C50	319129-4	ARM L		1	*		
C60	931202-6	HEX. NUT M5		1	*		
C70	962055-2	RETAINING RING (INT) R-15		1	*		
A02-1	122D11-0	GRIP ASSEMBLY	O	1			
C11	140R59-4	POLE COMPLETE		1			
C20	142653-0	ARM R COMPLETE		1			
C30	265C34-0	THUMB SCREW M5X10		1			
C40	266886-4	HEX. BOLT M8X65		1			
C50	319129-4	ARM L		1			

C60	931202-6	HEX. NUT M5		1		
C70	962055-2	RETAINING RING (INT) R-15		1		
A03	251314-2	+ SCREW M4X12		2		
A04	346317-0	HOOK		1		
A05	452947-8	BIT HOLDER		1		
A06	784637-8	+ - BIT 2-45		2		
F06-3	197606-4	BATTERY BL1830B SET (2PIECES)	O	1		
F09-3	197600-6	BATTERY BL1830B SET	O	1		
F10-4	197599-5	BATTERY BL1830B SET	O	1		
F11-3	197267-0	BATTERY BL1840B SET	O	1		
F12-3	197267-0	BATTERY BL1840B SET	O	1		
F13-3	197265-4	BATTERY BL1840B SET	O	1		
F14-3	197265-4	BATTERY BL1840B SET	O	1		
F15-3	197273-5	BATTERY BL1840B SET(2PIECES)	O	1		
F16-3	197280-8	BATTERY BL1850B SET	O	1		
F17-3	197280-8	BATTERY BL1850B SET	O	1		
F18-3	197282-4	BATTERY BL1850B SET	O	1		
F19-3	197282-4	BATTERY BL1850B SET	O	1		
F23-3	197288-2	BATTERY BL1850B SET 2PIECES	O	1		
F30-1	197422-4	BATTERY BL1860B SET	O	1		
F31-1	197423-2	BATTERY BL1860B SET	O	1		
F32-1	197428-2	BATTERY BL1860B SET (2PIECES)	O	1		
A07	821550-0	CONNECTOR PLASTIC CASE (TYP E2)		1		
C10	453974-8	LATCH		4		
A08	837916-4	INNER TRAY		1		
A09	804D77-9	DHP481RMJ INDICATION LABEL		1	*	
A09-1	812X16-5	DHP481RMJ INDICATION LABEL	O	1	*	
A09-2	804D77-9	DHP481RMJ INDICATION LABEL	O	1		
A10	804D78-7	DHP481RMJ PLASTIC CASE LABEL		2	*	
A10-1	812X17-3	DHP481RMJ PLASTIC CASE LABEL	X	2		
A11	450128-8	BATTERY COVER		1		
A12	196399-0	BATTERY BL1840 SET		2	*	
A12-1	196399-0	BATTERY BL1840 SET	O	2	*	
A12-2	197265-4	BATTERY BL1840B SET	<	2	*	
A12-3	197265-4	BATTERY BL1840B SET	O	2		
A13	***DC18RC	DC18RC FAST CHARGER		1		
A09	804D81-8	DHP481RTJ INDICATION LABEL		1	*	
A09-1	812X23-8	DHP481RTJ INDICATION LABEL	O	1	*	
A09-2	804D81-8	DHP481RTJ INDICATION LABEL	O	1		
A10	804D82-6	DHP481RTJ PLASTIC CASE LABEL		2	*	
A10-1	812X24-6	DHP481RTJ PLASTIC CASE LABEL	X	2		
A12	196671-0	BATTERY BL1850 SET		2	*	
A12-1	196671-0	BATTERY BL1850 SET	O	2	*	
A12-2	197280-8	BATTERY BL1850B SET	<	2	*	
A12-3	197280-8	BATTERY BL1850B SET	O	2		

Please state Parts No. when your order.

Print Date 24/10/2023