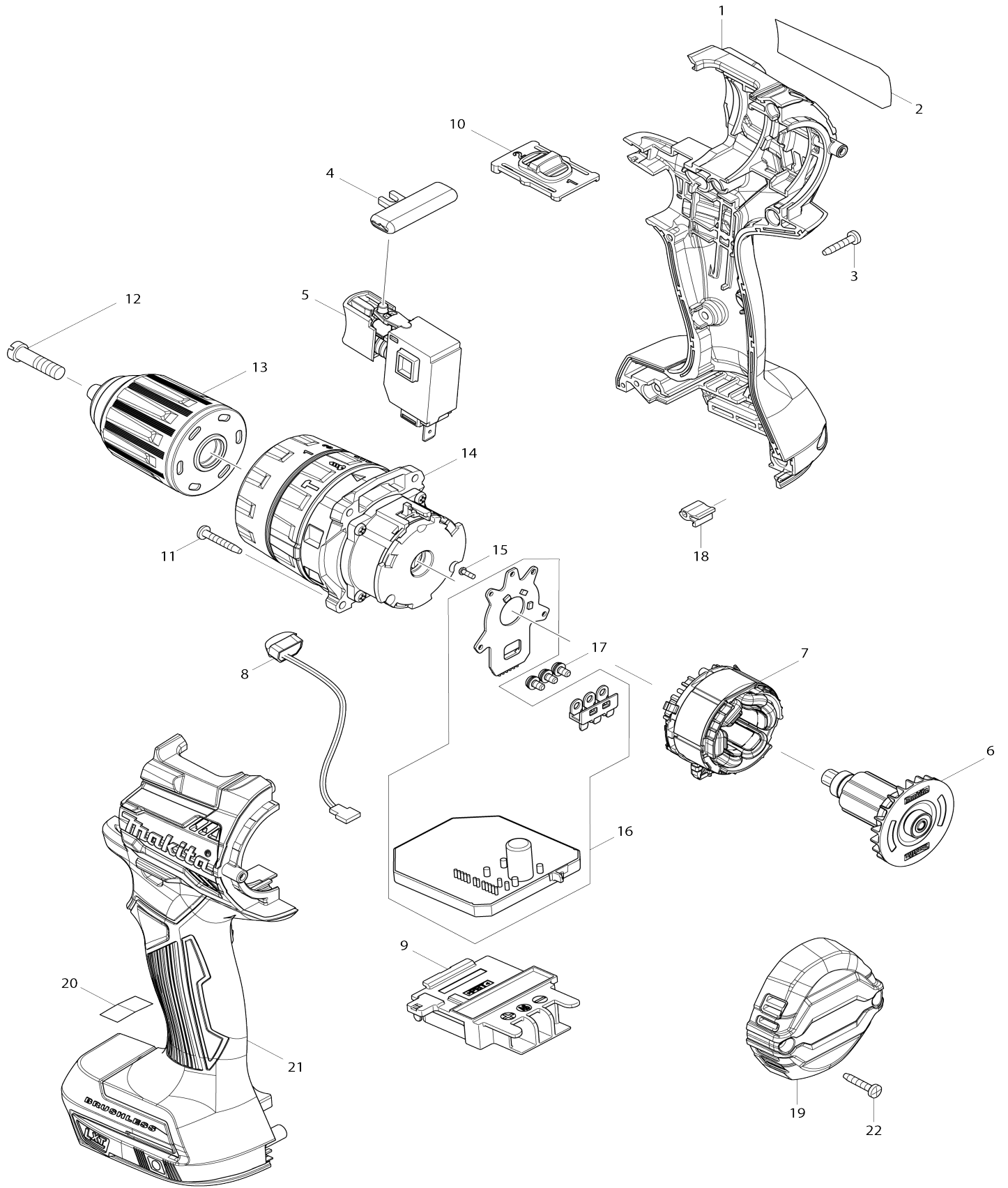


# Model No.DHP484 CORDLESS HAMMER DRIVER DRILL



Model No.DHP484 CORDLESS HAMMER DRIVER DRILL

Item No.	Parts No.	Description	Interchangability	Q'ty	New/Old	Note1	Note2
001	183E71-3	HOUSING SET		1	*		
C10	263005-3	RUBBER PIN 6		2	*		
C20	252126-6	HEX. LOCK NUT M4-7		2	*		
D10		INC. 21					
001-1	183L79-9	HOUSING SET	<	1			
C10	263005-3	RUBBER PIN 6		2			
C20	252126-6	HEX. LOCK NUT M4-7		2	*		
C21	252303-0	HEX. LOCK NUT M4-7	O	2			
D10		INC. 21					
002	852L96-7	DHP484 NAME PLATE		1			
003	266429-2	TAPPING SCREW 3X16		7	*		
003-1	266130-9	TAPPING SCREW BIND PT 3X16	O	7			
004	419041-9	F/R CHANGE LEVER		1			
005	650710-5	SWITCH C3JW-4B		1	*		
005-1	650006-4	SWITCH TGRK2-1	O	1			
006	619406-7	ROTOR		1	*		
006-1	619406-7	ROTOR	O	1			
007	629225-3	STATOR		1			
008	620549-0	LED CIRCUIT		1			
009	643874-2	TERMINAL		1			
010	123738-1	SPEED CHANGE LEVER ASSEMBLY		1			
C10	233438-6	COMPRESSION SPRING 4		2			
011	251497-8	TAPPING SCREW 3X20		4	*		
011-1	265D32-0	TAPPING SCREW 3X20	O	4			
012	251468-5	- FLAT HEAD SCREW M6X22		1			
013	766027-7	KEYLESS DRILL CHUCK 13		1			
014	123736-5	GEAR ASSEMBLY		1	*		
014-1	123953-7	GEAR ASSEMBLY	<	1	*		
014-2	126729-1	GEAR ASSEMBLY	<	1	*		
014-3	127499-5	GEAR ASSEMBLY	<	1			
015	266490-9	TAPPING SCREW PT 2X6		3	*		
015-1	265C47-1	TAPPING SCREW PT 2X6	O	3			
016	620548-2	CONTROLLER		1			
017	652069-6	FLAT HEAD SCREW M3X6		3			
018	424517-3	CUSHION		1			
019	456967-4	REAR COVER		1			
021	183E71-3	HOUSING SET		1	*		
C10	263005-3	RUBBER PIN 6		2	*		
C20	252126-6	HEX. LOCK NUT M4-7		2	*		
D10		INC. 1					
021-1	183L79-9	HOUSING SET	<	1			
C10	263005-3	RUBBER PIN 6		2			
C20	252126-6	HEX. LOCK NUT M4-7		2	*		
C21	252303-0	HEX. LOCK NUT M4-7	O	2			
D10		INC. 1					
022	266429-2	TAPPING SCREW 3X16		2	*		
022-1	266130-9	TAPPING SCREW BIND PT 3X16	O	2			

A01	251314-2	+ SCREW M4X12		1			
A02	346317-0	HOOK		1			
A03	784637-8	+ - BIT 2-45		1			
F05	191E41-8	GRIP ASSEMBLY SET		1			
A04	821550-0	CONNECTOR PLASTIC CASE (TYPE2)		1			
C10	453974-8	LATCH		4			
A05	450128-8	BATTERY COVER		1			
A06	***DC18RC	DC18RC FAST CHARGER		1			
D10		COMPO-PARTS					
A07	197600-6	BATTERY BL1830B SET		2	*		
A07-1	197600-6	BATTERY BL1830B SET	O	2			
A08	837916-4	INNER TRAY		1			
A09	810B34-5	DHP484RFJ INDICATION LABEL		1			
A10	810B35-3	DHP484RFJ PLASTIC CASE LABEL		2			
A07	197265-4	BATTERY BL1840B SET		2	*		
A07-1	197265-4	BATTERY BL1840B SET	O	2			
A09	810B39-5	DHP484RMJ INDICATION LABEL		1			
A10	810B40-0	DHP484RMJ PLASTIC CASE LABEL		2			
A07	197280-8	BATTERY BL1850B SET		2	*		
A07-1	197280-8	BATTERY BL1850B SET	O	2			
A09	810B44-2	DHP484RTJ INDICATION LABEL		1			
A10	810B45-0	DHP484RTJ PLASTIC CASE LABEL		2			

Please state Parts No. when your order.

Print Date 24/10/2023