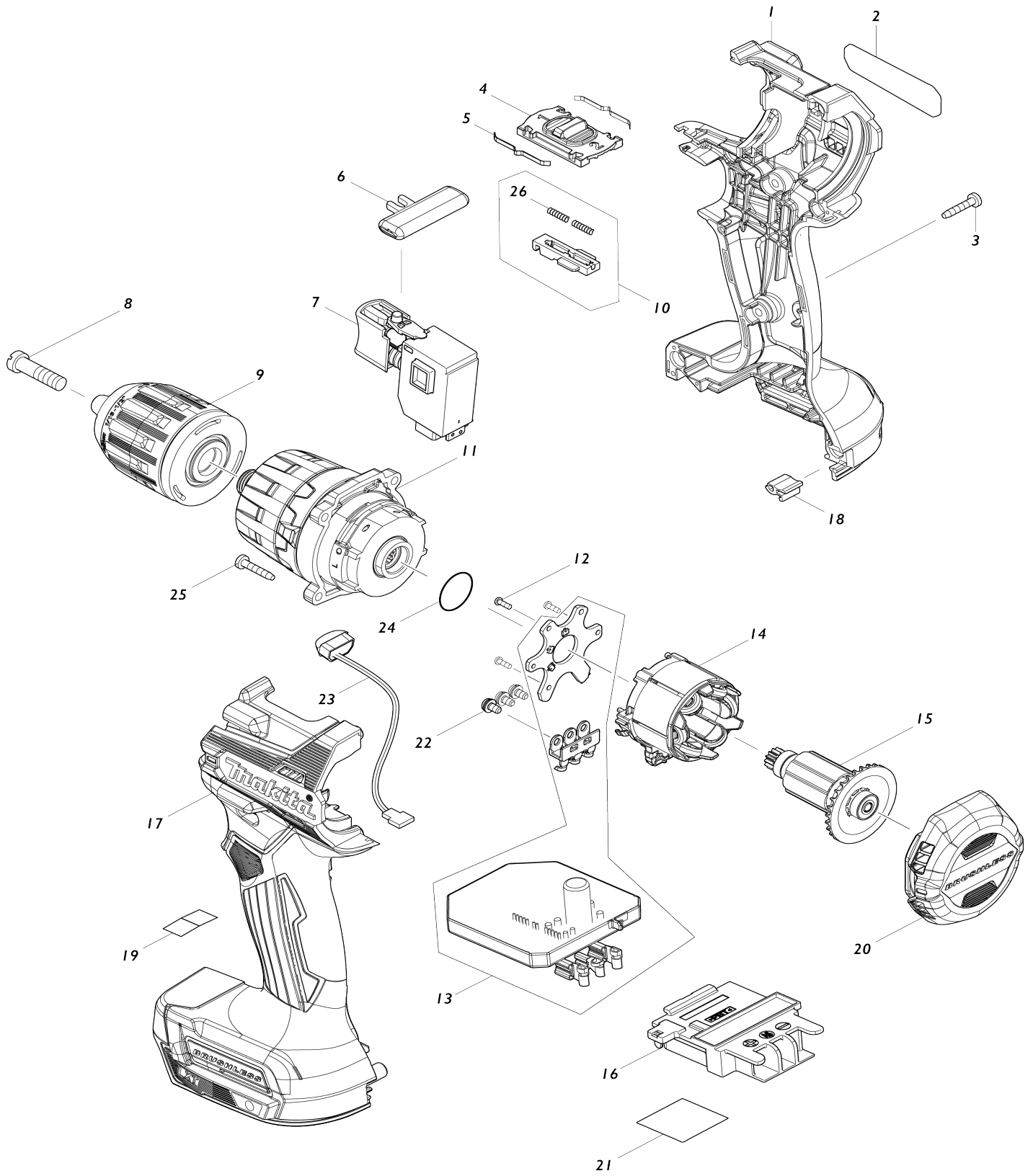


Model No.DHP487 CORDLESS HAMMER DRIVER DRILL



Model No.DHP487 CORDLESS HAMMER DRIVER DRILL

Item No.	Parts No.	Description	Interchangability	Q'ty	New/Old	Note1	Note2
001	183S07-6	HOUSING SET		1			
C10	263005-3	RUBBER PIN 6		2			
C20	252126-6	HEX. LOCK NUT M4-7		2	*		
C21	252303-0	HEX. LOCK NUT M4-7	O	2			
D10		INC. 17					
002	811B94-0	DHP487 NAME PLATE		1			
003	266429-2	TAPPING SCREW 3X16		7			
004	413310-0	SPEED CHANGE LEVER		1			
005	232493-5	LEAF SPRING		2			
006	419041-9	F/R CHANGE LEVER		1			
007	650689-0	SWITCH C3JW-2B		1	*		
007-1	650005-6	SWITCH TGRK1-1	O	1			
008	251468-5	- FLAT HEAD SCREW M6X22		1			
009	763256-3	KEYLESS DRILL CHUCK 13		1	*		
009-1	763262-8	KEYLESS DRILL CHUCK 13	<	1			
010	127758-7	CHANGE LEVER ASSEMBLY		1			
D10		INC. 26					
011	127824-0	GEAR ASSEMBLY		1	*		
011-1	122B23-1	GEAR ASSEMBLY	O	1			
012	266490-9	TAPPING SCREW PT 2X6		3	*		
012-1	265C47-1	TAPPING SCREW PT 2X6	O	3			
013	620E45-8	CONTROLLER		1			
014	629A41-9	STATOR		1			
015	619671-8	ROTOR		1			
016	643874-2	TERMINAL		1			
017	183S07-6	HOUSING SET		1			
C10	263005-3	RUBBER PIN 6		2			
C20	252126-6	HEX. LOCK NUT M4-7		2	*		
C21	252303-0	HEX. LOCK NUT M4-7	O	2			
D10		INC. 1					
018	424517-3	CUSHION		1			
020	413309-5	REAR COVER		1			
021	811C02-7	DHP487 SERIAL NO. LABEL		1			
022	652069-6	FLAT HEAD SCREW M3X6		3			
023	620549-0	LED CIRCUIT		1			
024	213087-5	O-RING 16.5		1	*		
024-1	213A10-6	O-RING 16.5	O	1			
025	266429-2	TAPPING SCREW 3X16		4			
026	233025-1	COMPRESSION SPRING 2		2			
A01	251314-2	+ SCREW M4X12		1			
A02	346317-0	HOOK		1			
A03	784637-8	+ - BIT 2-45		1			

Please state Parts No. when your order.

Print Date 24/10/2023