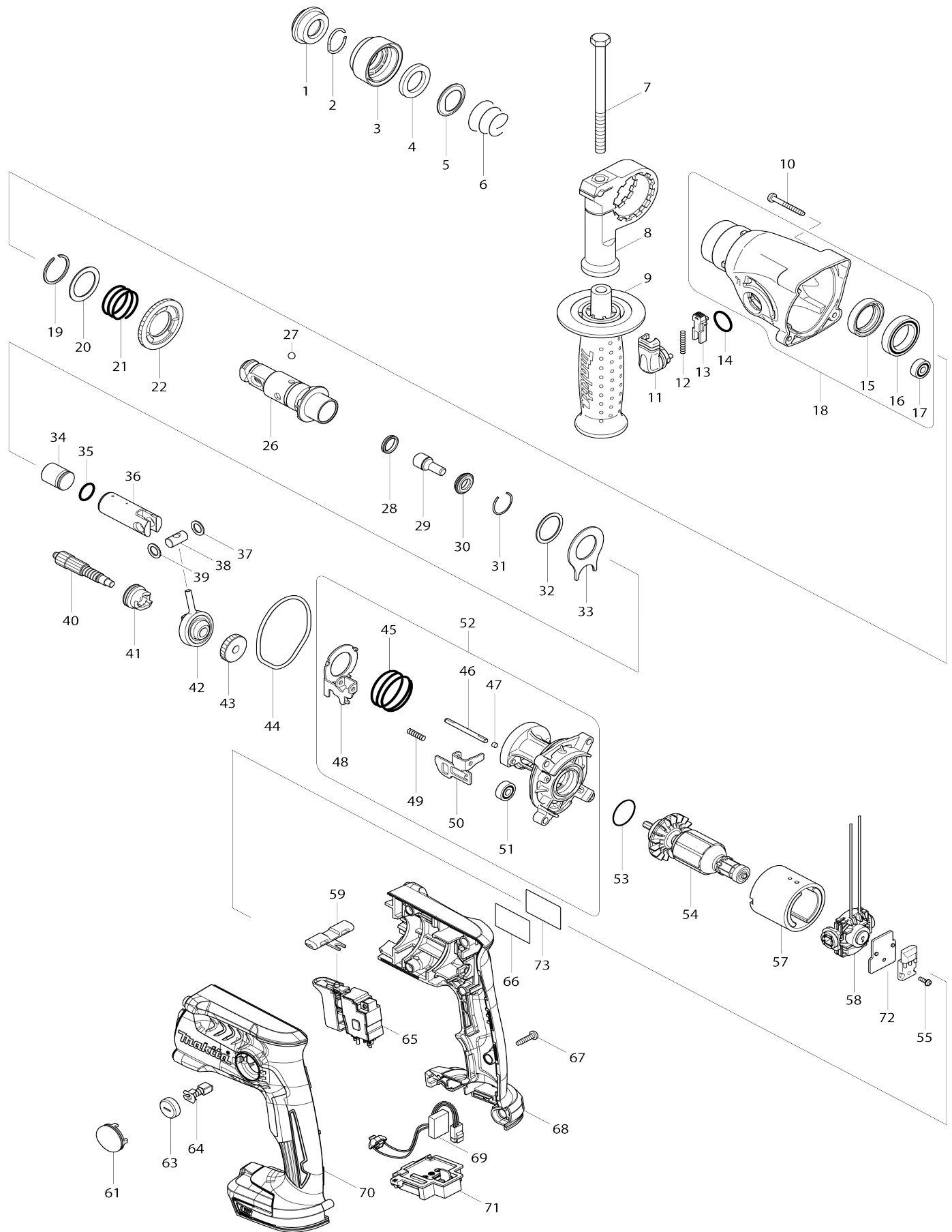


# Model No.DHR165 CORDLESS ROTARY HAMMER 16MM



Model No.DHR165 CORDLESS ROTARY HAMMER 16MM

Item No.	Parts No.	Description	Interchangability	Q'ty	New/Old	Note1	Note2
001	286263-4	CAP 35		1			
002	233940-9	RING SPRING 19		1			
003	419220-9	CHUCK COVER		1			
004	257241-1	RING 21		1			
005	345187-4	GUIDE WASHER		1			
006	233916-6	CONICAL COMP. SPRING 21-29		1			
007	921923-8	HEX. BOLT M8X120		1			
008	417911-6	GRIP BASE		1			
009	158057-6	GRIP 36 COMPLETE		1			
010	266053-1	TAPPING SCREW 4X35		4			
011	162242-5	CHANGE LEVER COMPLETE		1			
012	233459-8	COMPRESSION SPRING 3		1			
013	455413-4	LOCK BUTTON		1			
014	213278-8	O RING 17		1			
015	213535-4	OIL SEAL 25		1			
016	211375-4	BALL BEARING 6805LLB		1			
017	211012-0	BALL BEARING 606ZZ		1			
018	154840-9	GEAR HOUSING COMPLETE		1			
D10		INC. 15-17					
019	961135-1	RETAINING(EXT) WR-25		1			
020	267304-5	FLAT WASHER 25		1			
021	233457-2	COMPRESSION SPRING 25		1			
022	331707-0	SPUR GEAR 46		1			
026	154843-3	TOOL HOLDER COMPLETE		1			
027	216022-2	STEEL BALL 7.0		1			
028	213183-9	X RING 13		1			
029	324611-0	IMPACT BOLT		1			
030	257275-4	RING 11		1			
031	233942-5	RING SPRING 22		1			
032	267175-0	FLAT WASHER 24		1			
033	345681-6	JOINT PLATE		1			
034	324613-6	STRIKER		1			
035	213182-1	O RING 14		1			
036	331708-8	PISTON CYLINDER		1			
037	267130-2	FLAT WASHER 9		1			
038	324612-8	PISTON JOINT		1			
039	267130-2	FLAT WASHER 9		1			
040	227152-4	SPUR GEAR 10		1			
041	331706-2	CLUTCH CAM		1			
042	219019-0	SWASH BEARING 9		1			
043	226623-8	HELICAL GEAR 22		1			
044	423346-1	SEAL RING		1			
045	233458-0	COMPRESSION SPRING 32		1			
046	268147-8	PIN 4		1			
047	443123-5	FELT 4X3		1			
048	345645-0	CHANGE PLATE		1			
049	233460-3	COMPRESSION SPRING 3		1			

050	345654-9	STOPPER PLATE		1		
051	211012-0	BALL BEARING 606ZZ		1		
052	154841-7	INNER HOUSING COMPLETE		1		
D10		INC. 45-51				
053	213953-6	O RING 24		1		
054	619334-6	ARMATURE		1		
055	911011-9	PAN HEAD SCREW M3X10		1		
057	638446-6	YOKE UNIT		1		
058	632D97-1	ENDBELL COMPLETE		1		
C10	688172-7	LINE FILTER		2		
C20	654037-5	INSULATED TERM. FT1.25-M3		2	*	
C21	654409-4	TERMINAL VR1.25-3.5LB	O	2		
059	419457-8	F/R CHANGE LEVER		1		
061	424128-4	HOLDER CAP COVER		2		
063	643929-3	BRUSH HOLDER CAP		2		
064	191971-3	CARBON BRUSH CB-430		1		
065	632D93-9	SWITCH UNIT		1	*	
C10	688172-7	LINE FILTER		1	*	
C20	654199-9	RECEPTACLE		2	*	
065-1	632D93-9	SWITCH UNIT	O	1		
C10	688172-7	LINE FILTER		1		
C20	654199-9	RECEPTACLE		2		
066	850K43-6	DHR165 NAME PLATE		1		
067	265995-6	TAPPING SCREW 4X18		7		
068	183A41-8	HOUSING SET		1		
C10	263005-3	RUBBER PIN 6		2		
D10		INC. 70				
069	620367-6	LIGHT CIRCUIT		1		
070	183A41-8	HOUSING SET		1		
C10	263005-3	RUBBER PIN 6		2		
D10		INC. 68				
071	644808-8	TERMINAL		1		
072	689098-6	HEAT SINK		1		
073	805F02-5	CLEAR LABEL		1		
A01	415486-9	DEPTH GAUGE		1		
B01	195208-0	HAMMER SERVICE KIT SET		1		
C10	183477-5	HAMMER GREASE 30G		1		
D10		INC. 1,28,31,35,44,64				
F07-3	197606-4	BATTERY BL1830B SET (2PIECES)	O	1		
F08-3	197600-6	BATTERY BL1830B SET	O	1		
F09-4	197599-5	BATTERY BL1830B SET	O	1		
F10-3	197267-0	BATTERY BL1840B SET	O	1		
F11-3	197267-0	BATTERY BL1840B SET	O	1		
F12-3	197265-4	BATTERY BL1840B SET	O	1		
F13-3	197265-4	BATTERY BL1840B SET	O	1		
F14-3	197273-5	BATTERY BL1840B SET(2PIECES)	O	1		
F15-2	196235-0	BATTERY BL1815N SET	O	1		
F16-2	196449-1	BATTERY BL1815N SET	O	1		
A02	***DC18RC	DC18RC FAST CHARGER		1		
A03	196399-0	BATTERY BL1840 SET		2	*	
A03-1	196399-0	BATTERY BL1840 SET	O	2	*	
A03-2	197265-4	BATTERY BL1840B SET	<	2	*	

A03-3	197265-4	BATTERY BL1840B SET	O	2			
A04	450128-8	BATTERY COVER		1			
A05	821551-8	CONNECTOR PLASTIC CASE (TYP E3)		1			
C10	453974-8	LATCH		4			
A06	838109-6	INNER TRAY		1			
A07	805L58-4	DHR165RMJ INDICATION LABEL		1			
A08	805L59-2	DHR165RMJ PLASTIC CASE LABEL		2			

Please state Parts No. when your order.

Print Date 24/10/2023