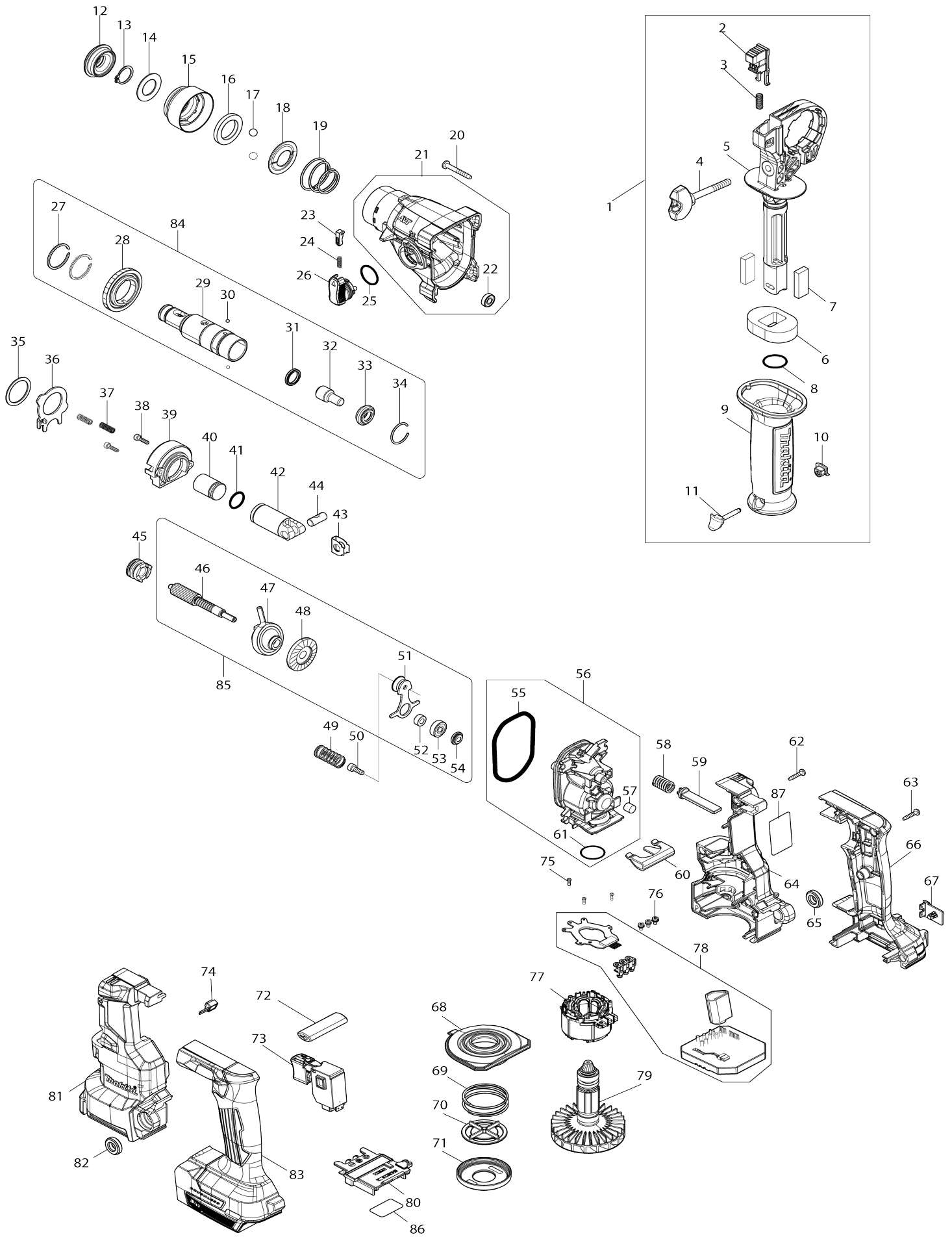


# Model No.DHR183 18MM CORDLESS ROTARY HAMMER



**Model No.DHR183 18MM CORDLESS ROTARY HAMMER**

Item No.	Parts No.	Description	Interc hang eabilit y	Q'ty	New/ Old	Note1	Note2
001	122D63-1	GRIP ASSEMBLY		1			
D10		INC. 2-11					
002	413N19-8	LOCK BUTTON		1			
003	233360-7	COMPRESSION SPRING 4		1			
004	265625-9	THUMB SCREW M6X50		1			
005	413N18-0	SIDE HANDLE BASE		1			
006	422A19-9	SPONGE SHEET A		1			
007	422A20-4	SPONGE SHEET B		2			
008	213262-3	O RING 18		1			
009	413N20-3	GRIP 36		1			
010	422255-1	CAP		1			
011	162C55-2	FIX PIN		1			
012	286037-3	CAP 34		1			
013	961057-5	RETAINING RING S-17		1			
014	253377-4	FLAT WASHER 17		1			
015	457214-6	CHUCK COVER		1			
016	257416-2	RING 21		1			
017	216022-2	STEEL BALL 7.0		2			
018	346177-0	GUIDE WASHER		1			
019	232347-6	CONICAL COMP. SPRING 21-29		1			
020	266050-7	TAPPING SCREW 4X30		4			
021	136955-4	GEAR HOUSING ASS'Y		1			
D10		INC. 22					
022	211157-4	BALL BEARING 695ZZ		1			
023	161568-2	LOCK BUTTON COMPLETE		1			
024	232344-2	COMPRESSION SPRING 3		1			
025	213278-8	O RING 17		1			
026	161569-0	CHANGE LEVER COMPLETE		1			
027	961135-1	RETAINING(EXT) WR-25		2			
028	227A13-4	SPUR GEAR 42		1			
029	327B25-4	TOOL HOLDER		1			
030	216019-1	STEEL BALL 3		2			
031	213183-9	X RING 13		1			
032	326843-5	IMPACT BOLT		1			
033	326842-7	RING 10		1			
034	232343-4	RING SPRING 23		1			
035	267175-0	FLAT WASHER 24		1			
036	347B03-8	CHANGE PLATE		1			
037	232802-8	COMPRESSION SPRING 4		2			
038	265910-0	HEX. SOCKET HEAD BOLT M3X12		2			
039	141N19-5	INNER SUPPORT COMPLETE		1			
040	327007-4	STRIKER		1			
041	213128-7	O RING 12		1			
042	319510-9	PISTON CYLINDER		1			
043	347B05-4	GUIDE PLATE		1			
044	326846-9	PISTON JOINT		1			
045	327B24-6	CLUTCH CAM		1			

046	227A12-6	SPUR GEAR 9		1		
047	219033-6	SWASH BEARING 8		1		
048	227A14-2	SPIRAL BEVEL GEAR 29		1		
049	232801-0	COMPRESSION SPRING 10		1		
050	265353-6	HEX. SOCKET HEAD BOLT M4X12		1		
051	141N20-0	BEARING RETAINER COMPLETE		1		
052	257890-4	RING 5		1		
053	210065-6	BALL BEARING 625ZZ		1		
054	326847-7	RING 5		1		
055	213A29-5	O RING 55		1		
056	136961-9	INNER HOUSING ASS'Y		1		
D10		INC. 55,57,61				
057	443153-6	FELT		1		
058	232782-8	COMPRESSION SPRING 8		1		
059	413N16-4	PUSHER		1		
060	347A85-4	BEARING RETAINER		1		
061	213325-5	O RING 19		1		
062	266130-9	TAPPING SCREW BIND PT 3X16		5		
063	266130-9	TAPPING SCREW BIND PT 3X16		6		
064	183X92-9	HOUSING SET		1		
D10		INC. 81				
065	422A09-2	CUSHION RING 8		1		
066	183X68-6	HANDLE SET		1		
C10	263005-3	RUBBER PIN 6		2		
D10		INC. 83				
067	422A08-4	CAP		1		
068	413N60-1	AIR DUCT		1		
069	232796-7	COMPRESSION SPRING 37		1		
070	413N14-8	VALVE		1		
071	413N15-6	CAP		1		
072	454980-6	F/R CHANGE LEVER		1		
073	650689-0	SWITCH C3JW-2B		1		
074	620K85-2	LED CIRCUIT		1		
075	266490-9	TAPPING SCREW PT 2X6		3		
076	652069-6	FLAT HEAD SCREW M3X6		3		
077	629C18-6	STATOR		1		
078	620L24-8	CONTROLLER		1		
079	619816-8	ROTOR		1		
080	643874-2	TERMINAL		1		
081	183X92-9	HOUSING SET		1		
D10		INC. 64				
082	422A09-2	CUSHION RING 8		1		
083	183X68-6	HANDLE SET		1		
C10	263005-3	RUBBER PIN 6		2		
D10		INC. 66				
084	136959-6	TOOL HOLDER ASS'Y		1		
D10		INC. 27-34				
085	136960-1	SPUR GEAR 9 ASS'Y		1		
D10		INC. 46-48,51-54				
086	8588S0-3	DHR183 SERIAL NO. LABEL		1		
087	8588R3-0	DHR183 NAME PLATE		1		
A01	413N42-3	DEPTH GAUGE		1		

B01	198564-7	HAMMER SERVICE KIT		1			
C10	195127-0	OIL VESSEL SET		1			
D10		INC. 12,13,17,31,34,41					
F03	1911K0-5	TOOL HANGER SET		1			
F04	1911P2-6	DX16DUST COLLECTION SYSTEM SET		1			
F06	1911P5-0	DUST CASE SET		1			
F07	1911P8-4	DUSTCUP SET		1			

Please state Parts No. when your order.

Print Date 24/10/2023