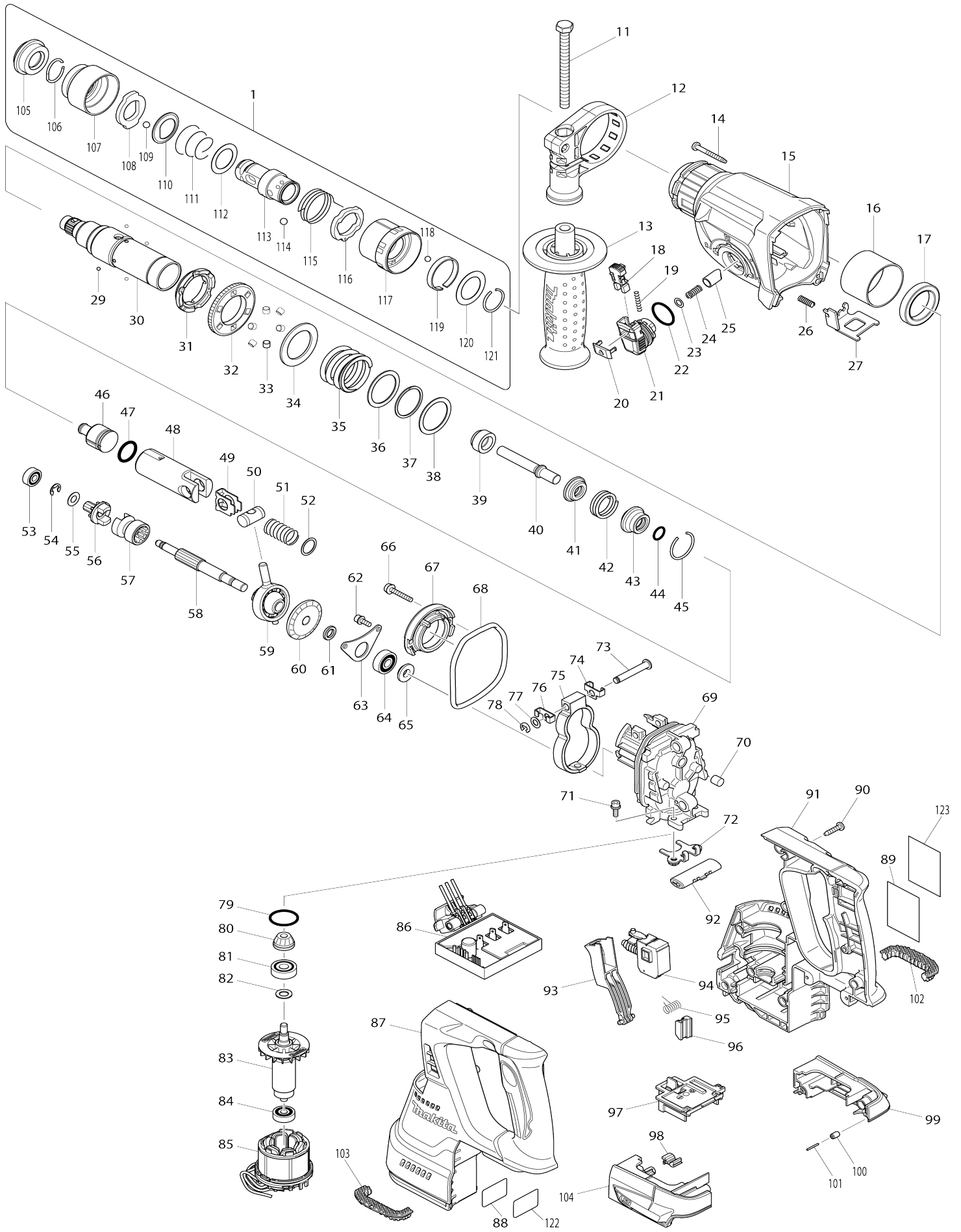


Model No.DHR243 24MM CORDLESS COMBI. HAMMER



Model No.DHR243 24MM CORDLESS COMBI. HAMMER

| Item No. | Parts No. | Description | Interchangability | Q'ty | New/Old | Note1 | Note2 |
|----------|-----------|---------------------------|-------------------|------|---------|-------|-------|
| 001 | 194080-7 | TOOL HOLDER SET | | 1 | | | |
| D10 | | INC. 105-121 | | | | | |
| 011 | 266745-2 | HEX.BOLT M8X90 | | 1 | | | |
| 012 | 453129-5 | GRIP BASE | | 1 | | | |
| 013 | 158057-6 | GRIP 36 COMPLETE | | 1 | | | |
| 014 | 266351-3 | TAPPING SCREW 4X35 | | 4 | | | |
| 015 | 141229-0 | GEAR HOUSING COMPLETE | | 1 | * | | |
| C10 | 213345-9 | OIL SEAL 25 | | 1 | * | | |
| C20 | 890903-4 | INDICATION LABEL | | 1 | * | | |
| 015-1 | 144354-6 | GEAR HOUSING COMPLETE | < | 1 | | | |
| C10 | 213345-9 | OIL SEAL 25 | | 1 | | | |
| C20 | 810X86-8 | INDICATION LABEL | < | 1 | | | |
| 016 | 331890-3 | CUP SLEEVE | | 1 | | | |
| 017 | 211294-4 | BALL BEARING 6806LLU | | 1 | | | |
| 018 | 454112-5 | LOCK BUTTON | | 1 | | | |
| 019 | 234264-6 | COMPRESSION SPRING 3 | | 1 | | | |
| 020 | 453131-8 | CHANGE LEVER COVER | | 1 | | | |
| 021 | 453125-3 | CHANGE LEVER | | 1 | | | |
| 022 | 213381-5 | O RING 21 | | 1 | | | |
| 023 | 253308-3 | THIN WASHER 6 | | 1 | | | |
| 024 | 234147-0 | COMPRESSION SPRING 5 | | 1 | | | |
| 025 | 325785-0 | PUSH CORN | | 1 | * | | |
| 025-1 | 326850-8 | PUSH CORN | S | 1 | | | |
| 026 | 233360-7 | COMPRESSION SPRING 4 | | 1 | | | |
| 027 | 346537-6 | LOCK PLATE | | 1 | | | |
| 029 | 216019-1 | STEEL BALL 3 | | 4 | | | |
| 030 | 140266-1 | TOOL HOLDERGUIDE COMPLETE | | 1 | | | |
| 031 | 313149-0 | DRIVING FLANGE | | 1 | * | | |
| 031-1 | 332139-4 | DRIVING FLANGE | S | 1 | | | |
| 032 | 227232-6 | SPUR GEAR 51 | | 1 | * | | |
| 032-1 | 227360-7 | SPUR GEAR 51 | S | 1 | | | |
| 033 | 268226-2 | PIN 6 | | 6 | * | | |
| 034 | 267414-8 | FLAT WASHER 30 | | 1 | * | | |
| 035 | 234148-8 | COMPRESSION SPRING 31 | | 1 | | | |
| 036 | 267153-0 | FLAT WASHER 30 | | 1 | | | |
| 037 | 257932-4 | SPIRO LOCK WASHER 30 | | 1 | | | |
| 038 | 267153-0 | FLAT WASHER 30 | | 1 | | | |
| 039 | 325783-4 | SLEEVE 9B | | 1 | | | |
| 040 | 325791-5 | IMPACT BOLT B | | 1 | | | |
| 041 | 325792-3 | WASHER 10 | | 1 | | | |
| 042 | 234149-6 | COMPRESSION SPRING 20 | | 1 | | | |
| 043 | 325793-1 | O-RING CASE B | | 1 | | | |
| 044 | 213073-6 | O RING 9 | | 1 | | | |
| 045 | 233979-2 | RING SPRING 28 | | 1 | | | |
| 046 | 326139-4 | STRIKER | | 1 | | | |
| 047 | 213258-4 | O RING 17.5 | | 1 | | | |
| 048 | 310345-1 | PISTON CYLINDER | | 1 | | | |

| | | | | | | |
|-------|----------|-----------------------------------|---|---|---|--|
| 049 | 346036-8 | GUIDE PLATE | | 1 | | |
| 050 | 324215-8 | PISTON JOINT | | 1 | | |
| 051 | 234098-7 | COMPRESSION SPRING 14 | | 1 | | |
| 052 | 267447-3 | FLAT WASHER 14 | | 1 | | |
| 053 | 211012-0 | BALL BEARING 606ZZ | | 1 | | |
| 054 | 257336-0 | STOP RING EXT U-6 | | 1 | | |
| 055 | 253186-1 | FLAT WASHER 7 | | 1 | | |
| 056 | 227231-8 | SPUR GEAR 10 | | 1 | | |
| 057 | 331814-9 | CLUTCH CAM A | | 1 | * | |
| 057-1 | 326849-3 | CLUTCH CAM A | S | 1 | | |
| 058 | 326140-9 | CAM SHAFT | | 1 | | |
| 059 | 219020-5 | SWASH BEARING 10 | | 1 | | |
| 060 | 227588-7 | SPIRAL BEVEL GEAR 32 | | 1 | | |
| 061 | 257323-9 | RING 8 | | 1 | | |
| 062 | 922118-6 | HEX. SOCKET HEAD BOLT M4X12 | | 2 | | |
| 063 | 346038-4 | BEARING RETAINER B | | 1 | | |
| 064 | 211032-4 | BALL BEARING 608ZZ | | 1 | | |
| 065 | 324212-4 | RING 8 | | 1 | | |
| 066 | 922147-9 | HEX. SOCKET HEAD BOLT M4X25 | | 2 | | |
| 067 | 141230-5 | INNER SUPPORT COMPLETE | | 1 | | |
| 068 | 213767-3 | O-RING 75 | | 1 | | |
| 069 | 318810-4 | INNER HOUSING | | 1 | | |
| 070 | 443153-6 | FELT | | 1 | | |
| 071 | 922118-6 | HEX. SOCKET HEAD BOLT M4X12 | | 2 | | |
| 072 | 346536-8 | BEARING RETAINER A | | 1 | | |
| 073 | 256536-9 | FLAT FILLISTER HD PIN 6 | | 1 | | |
| 074 | 346538-4 | WEIGHT HOLDER GUIDE | | 1 | | |
| 075 | 313224-2 | COUNTER WEIGHT | | 1 | | |
| 076 | 346538-4 | WEIGHT HOLDER GUIDE | | 1 | | |
| 077 | 253726-5 | FLAT WASHER 6 | | 1 | | |
| 078 | 961018-5 | STOP RING E-5 | | 1 | | |
| 079 | 213008-7 | O RING 22.4 | | 1 | | |
| 080 | 141458-5 | SPIRAL BEVEL GEAR 11 COMPLET E | | 1 | | |
| 081 | 210024-0 | BALL BEARING 608LLU | | 1 | | |
| 082 | 253835-0 | FLAT WASHER 8 | | 1 | | |
| 083 | 619293-4 | ROTOR | | 1 | * | |
| 083-1 | 619737-4 | ROTOR | < | 1 | | |
| D10 | | INC. 80-82,84 | | | | |
| 084 | 210022-4 | BALL BEARING 626DDW | | 1 | | |
| 085 | 629922-1 | STATOR | | 1 | * | |
| 085-1 | 529922-0 | STATOR ASS'Y | < | 1 | * | |
| 085-2 | 529187-4 | STATOR ASS'Y | S | 1 | | |
| 086 | 620241-8 | CONTROLLER | | 1 | * | |
| 086-1 | 620G68-8 | CONTROLLER | < | 1 | | |
| 087 | 187687-6 | HOUSING SET | | 1 | * | |
| D10 | | INC. 91 | | | | |
| 087-1 | 183A34-5 | HOUSING SET | < | 1 | * | |
| D10 | | INC. 91 | | | | |
| 087-2 | 183C02-0 | HOUSING SET | S | 1 | * | |
| D10 | | INC. 91 | | | | |
| 087-3 | 183C02-0 | HOUSING SET | O | 1 | | |

| | | | | | | |
|-------|----------|----------------------------|---|----|---|--|
| D10 | | INC. 91 | | | | |
| 088 | 815B50-2 | DHR243 SERIAL NO. LABEL | | 1 | | |
| 089 | 815B44-7 | DHR243 NAME PLATE | | 1 | | |
| 090 | 266326-2 | TAPPING SCREW 4X18 | | 10 | * | |
| 090-1 | 266326-2 | TAPPING SCREW 4X18 | O | 10 | | |
| 091 | 187687-6 | HOUSING SET | | 1 | * | |
| D10 | | INC. 87 | | | | |
| 091-1 | 183A34-5 | HOUSING SET | < | 1 | * | |
| D10 | | INC. 87 | | | | |
| 091-2 | 183C02-0 | HOUSING SET | S | 1 | * | |
| D10 | | INC. 87 | | | | |
| 091-3 | 183C02-0 | HOUSING SET | O | 1 | | |
| D10 | | INC. 87 | | | | |
| 092 | 453124-5 | F/R CHANGE LEVER | | 1 | | |
| 093 | 453123-7 | SWITCH LEVER | | 1 | | |
| 094 | 650709-0 | SWITCH C3JW-1A-P | | 1 | | |
| 095 | 233598-4 | TORSION SPRING 6 | | 1 | | |
| 096 | 313226-8 | OPENER | | 1 | | |
| 097 | 644808-8 | TERMINAL | | 1 | | |
| 098 | 424476-1 | CUSHION | | 1 | | |
| 099 | 187377-1 | BATTERY HOUSING SET | | 1 | | |
| C10 | 263005-3 | RUBBER PIN 6 | | 2 | | |
| D10 | | INC. 104 | | | | |
| 100 | 263036-2 | RUBBER PIN 5 | | 1 | | |
| 101 | 268184-2 | PIN 1.5 | | 1 | | |
| 102 | 424473-7 | CUSHION RUBBER | | 1 | | |
| 103 | 424473-7 | CUSHION RUBBER | | 1 | | |
| 104 | 187377-1 | BATTERY HOUSING SET | | 1 | | |
| C10 | 263005-3 | RUBBER PIN 6 | | 2 | | |
| D10 | | INC. 99 | | | | |
| 105 | 286263-4 | CAP 35 | | 1 | | |
| 106 | 233940-9 | RING SPRING 19 | | 1 | | |
| 107 | 418217-5 | CHUCK COVER | | 1 | | |
| 108 | 345333-9 | STOPPER | | 1 | | |
| 109 | 216022-2 | STEEL BALL 7.0 | | 1 | | |
| 110 | 345187-4 | GUIDE WASHER | | 1 | | |
| 111 | 233916-6 | CONICAL COMP. SPRING 21-29 | | 1 | | |
| 112 | 267279-8 | FLAT WASHER 21 | | 1 | | |
| 113 | 324355-2 | TOOL HOLDER | | 1 | | |
| 114 | 216013-3 | STEEL BALL 6 | | 2 | | |
| 115 | 231669-1 | TORSION SPRING 31 | | 1 | | |
| 116 | 345334-7 | CHANGE RING | | 1 | | |
| 117 | 418218-3 | CHANGE COVER | | 1 | | |
| 118 | 216018-3 | STEEL BALL 5.0 | | 1 | | |
| 119 | 345335-5 | LEAF SPRING | | 1 | | |
| 120 | 267270-6 | FLAT WASHER 24 | | 1 | | |
| 121 | 233924-7 | RING SPRING 21 | | 1 | | |
| 122 | 893072-0 | CLEAR LABEL | | 1 | * | |
| 123 | 890994-5 | CLEAR LABEL | | 1 | * | |
| 124 | 424734-5 | SPONGE | S | 2 | | |
| A01 | 324219-0 | DEPTH GAUGE | | 1 | | |
| A02 | 194079-2 | DRILL CHUCK SET | | 1 | * | |

| | | | | | | | |
|-------|-----------|---------------------------------|---|---|---|--|--|
| C10 | 251425-3 | - FLAT HEAD SCREW M6X22 | | 1 | * | | |
| C20 | 324353-6 | CHUCK HOLDER | | 1 | * | | |
| C30 | 418216-7 | SPACER | | 1 | * | | |
| A02-1 | 194079-2 | DRILL CHUCK SET | < | 1 | | | |
| C20 | 324353-6 | CHUCK HOLDER | | 1 | | | |
| C30 | 418216-7 | SPACER | | 1 | | | |
| A03 | ***DC18RC | DC18RC FAST CHARGER | | 1 | | | |
| A04 | 194204-5 | BATTERY BL1830 SET | | 2 | * | | |
| A04-1 | 194204-5 | BATTERY BL1830 SET | O | 2 | * | | |
| A04-2 | 197600-6 | BATTERY BL1830B SET | < | 2 | * | | |
| A04-3 | 197600-6 | BATTERY BL1830B SET | O | 2 | | | |
| A05 | 450128-8 | BATTERY COVER | | 1 | | | |
| A06 | 141401-4 | PLASTIC CASE COMPLETE | | 1 | | | |
| C10 | 162271-8 | LATCH | | 2 | | | |
| C20 | 890904-2 | INDICATION LABEL | | 1 | | | |
| A07 | 802M42-6 | DHR243RFE PLASTIC CASE LABEL | | 2 | * | | |
| A07-1 | 802M41-8 | DHR243RFE PLASTIC CASE LABEL | < | 2 | | | |
| B01 | 195834-5 | HAMMER SERVICE KIT | | 1 | | | |
| C10 | 195127-0 | OIL VESSEL SET | | 2 | | | |
| D10 | | INC. 44,45,47,105,109 | | | | | |
| F37-3 | 197606-4 | BATTERY BL1830B SET (2PIECES) | O | 1 | * | | |
| F42 | 195903-2 | DUST EXTRACTION SYSTEM SET | | 1 | | | |
| F48-1 | 199977-5 | DUST CASE SET | O | 1 | | | |
| F50-1 | 199557-7 | FILTER SET | O | 1 | | | |
| F52-3 | 197267-0 | BATTERY BL1840B SET | O | 1 | | | |
| F53-3 | 197265-4 | BATTERY BL1840B SET | O | 1 | | | |
| F54-3 | 197273-5 | BATTERY BL1840B SET(2PIECES) | O | 1 | | | |
| F56-2 | 196235-0 | BATTERY BL1815N SET | O | 1 | | | |
| F57-1 | 196449-1 | BATTERY BL1815N SET | O | 1 | | | |
| F58-2 | 196449-1 | BATTERY BL1815N SET | O | 1 | | | |
| F64 | 199571-3 | DX07DUST EXTRACTION SYSTEM SET | | 1 | | | |
| 014-1 | 265B69-5 | TAPPING SCREW 4X35 | O | 4 | | | |
| 029-1 | 216061-2 | STEEL BALL 3 | O | 4 | | | |
| 114-1 | 216062-0 | STEEL BALL 6 | O | 2 | | | |
| A06 | 141402-2 | PLASTIC CASE COMPLETE | | 1 | * | | |
| A06-1 | 140H96-8 | PLASTIC CASE COMPLETE | < | 1 | | | |
| C10 | 162271-8 | LATCH | | 2 | | | |
| C20 | 890904-2 | INDICATION LABEL | | 1 | | | |
| A07 | 802M46-8 | DHR243RFEV PLASTIC CASE LABEL | | 2 | | | |
| A08 | ***DX02 | DUST EXTRACTION SYSTEM | | 1 | | | |
| D10 | | COMPO-PARTS | | | | | |
| D20 | | INC. A09 | | | | | |
| A09 | 424474-5 | SEALING CAP | | 5 | * | | |
| A09-1 | 422784-4 | SEALING CAP | X | 5 | | | |
| A06 | 821552-6 | CONNECTOR PLASTIC CASE (TYP E4) | | 1 | | | |
| C10 | 453974-8 | LATCH | | 4 | | | |
| A07 | 837677-6 | INNER TRAY | | 1 | * | | |
| A07-1 | 835A31-4 | INNER TRAY | S | 1 | | | |
| A08 | 802M29-8 | DHR243RFJ INDICATION LABEL | | 1 | | | |

| | | | | | | | |
|-------|----------|---------------------------------|---|---|---|--|--|
| A09 | 802M32-9 | DHR243RFJ PLASTIC CASE LABEL | | 2 | | | |
| A13 | 837349-3 | SPONGE 50-50 | S | 1 | | | |
| A03 | 821552-6 | CONNECTOR PLASTIC CASE (TYP E4) | | 1 | | | |
| C10 | 453974-8 | LATCH | | 4 | | | |
| A04 | 837677-6 | INNER TRAY | | 1 | * | | |
| A04-1 | 835A31-4 | INNER TRAY | S | 1 | | | |
| A05 | 802M30-3 | DHR243ZJ INDICATION LABEL | | 1 | | | |
| A06 | 802M33-7 | DHR243ZJ PLASTIC CASE LABEL | | 2 | | | |
| A08 | 802M31-1 | DHR243RFJV INDICATION LABEL | | 1 | | | |
| A09 | 802M34-5 | DHR243RFJV PLASTIC CASE LABEL | | 2 | | | |
| A10 | ***DX02 | DUST EXTRACTION SYSTEM | | 1 | | | |
| D10 | | COMPO-PARTS | | | | | |
| D20 | | INC. A11 | | | | | |
| A11 | 424474-5 | SEALING CAP | | 5 | * | | |
| A11-1 | 422784-4 | SEALING CAP | X | 5 | | | |
| A04 | 196399-0 | BATTERY BL1840 SET | | 2 | * | | |
| A04-1 | 196399-0 | BATTERY BL1840 SET | O | 2 | * | | |
| A04-2 | 197265-4 | BATTERY BL1840B SET | < | 2 | * | | |
| A04-3 | 197265-4 | BATTERY BL1840B SET | O | 2 | | | |
| A07 | 802M36-1 | DHR243RME PLASTIC CASE LABEL | | 2 | * | | |
| A07-1 | 802M35-3 | DHR243RME PLASTIC CASE LABEL | < | 2 | | | |
| A08 | 802M47-6 | DHR243RMJ INDICATION LABEL | | 1 | | | |
| A09 | 802M48-4 | DHR243RMJ PLASTIC CASE LABEL | | 2 | | | |
| A08 | 802M50-7 | DHR243RMJV INDICATION LABEL | | 1 | | | |
| A09 | 802M51-5 | DHR243RMJV PLASTIC CASE LABEL | | 2 | | | |
| A04 | 196671-0 | BATTERY BL1850 SET | | 2 | * | | |
| A04-1 | 196671-0 | BATTERY BL1850 SET | O | 2 | * | | |
| A04-2 | 197280-8 | BATTERY BL1850B SET | < | 2 | * | | |
| A04-3 | 197280-8 | BATTERY BL1850B SET | O | 2 | | | |
| A07 | 804H95-1 | DHR243RTE PLASTIC CASE LABEL | | 2 | * | | |
| A07-1 | 805W76-8 | DHR243RTE PLASTIC CASE LABEL | < | 2 | | | |
| A08 | 805R32-8 | DHR243RTJV INDICATION LABEL | | 1 | | | |
| A09 | 805R33-6 | DHR243RTJV PLASTIC CASE LABEL | | 2 | | | |
| A08 | 805R30-2 | DHR243RTJ INDICATION LABEL | | 1 | | | |
| A09 | 809N51-2 | DHR243RTJ PLASTIC CASE LABEL | | 2 | * | | |
| A09-1 | 805R31-0 | DHR243RTJ PLASTIC CASE LABEL | O | 2 | * | | |
| A05 | 806H81-8 | DHR243ZJV INDICATION LABEL | | 1 | | | |
| A06 | 817W66-9 | DHR243ZJV PLASTIC CASE LABEL | | 2 | | | |
| A06 | 140H96-8 | PLASTIC CASE COMPLETE | | 1 | | | |
| A07-1 | 818X75-7 | DHR243RFEW PLASTIC CASE LABEL | | 2 | | | |
| A08 | ***DX07 | DUST EXTRACTION SYSTEM | | 1 | | | |
| A08 | 818X86-2 | DHR243RFJW INDICATION LABEL | | 1 | | | |
| A09 | 818X87-0 | DHR243RFJW PLASTIC CASE LABEL | | 2 | | | |
| A10 | ***DX07 | DUST EXTRACTION SYSTEM | | 1 | | | |
| A08 | 818X88-8 | DHR243RMJW INDICATION LABEL | | 1 | | | |

| | | | | | | | |
|-------|----------|-------------------------------|---|---|---|--|--|
| A09 | 818X89-6 | DHR243RMJW PLASTIC CASE LABEL | | 2 | | | |
| A08 | 818X90-1 | DHR243RTJW INDICATION LABEL | | 1 | | | |
| A09 | 818X91-9 | DHR243RTJW PLASTIC CASE LABEL | | 2 | * | | |
| A05 | 818X92-7 | DHR243ZJW INDICATION LABEL | | 1 | | | |
| A06 | 818X93-5 | DHR243ZJW PLASTIC CASE LABEL | | 2 | * | | |
| A07 | ***DX07 | DUST EXTRACTION SYSTEM | | 1 | | | |
| D10 | | COMPO-PARTS | | | | | |
| D20 | | INC. A08 | | | | | |
| A08 | 424474-5 | SEALING CAP | | 5 | * | | |
| A08-1 | 422784-4 | SEALING CAP | X | 5 | | | |

Please state Parts No. when your order.

Print Date 02/16/2024