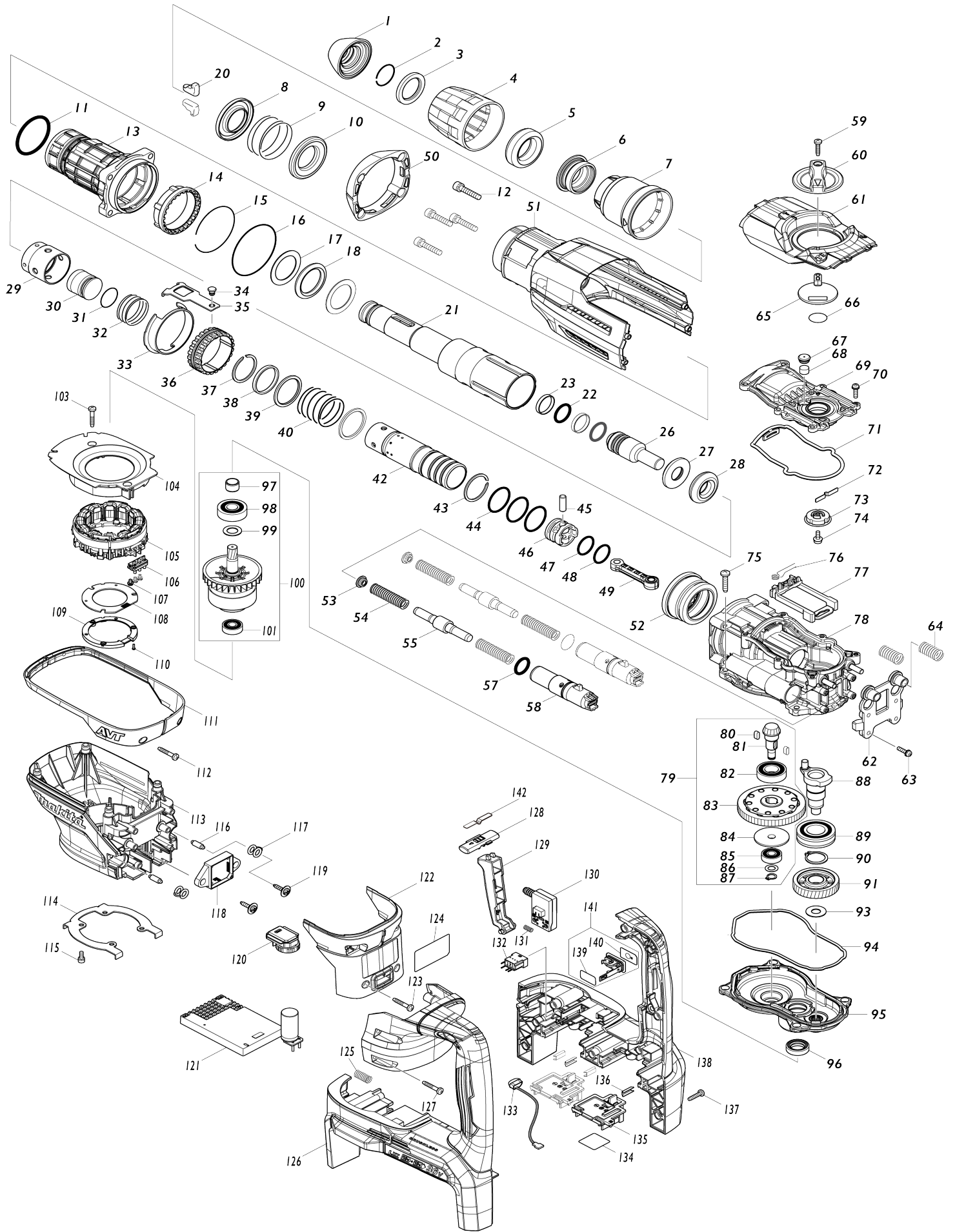


Model No.DHR400 40MM CORDLESS ROTARY HAMMER



Model No.DHR400 40MM CORDLESS ROTARY HAMMER

Item No.	Parts No.	Description	Interchangability	Q'ty	New/Old	Note1	Note2
001	286292-7	TOOL HOLDER CAP		1			
002	233948-3	RING SPRING 25		1			
003	257308-5	RING 28		1			
004	454330-5	CHUCK COVER		1			
005	262167-4	RUBBER RING 30		1			
006	326272-2	CHUCK RING		1			
007	454331-3	RELEASE COVER		1			
008	346670-4	SPRING GUIDE		1			
009	234288-2	COMPRESSION SPRING 46		1			
010	346670-4	SPRING GUIDE		1			
011	213615-6	O RING 46		1			
012	922351-0	HEX. SOCKET HEAD BOLT M6X30		4			
013	141956-9	BARREL COMPLETE		1			
C10	213246-1	O-RING 38 SA1004		1			
C20	213490-0	OIL SEAL 32		1			
C30	213492-6	O-RING 32		1			
C40	214457-1	PLANE BEARING 32		1			
C50	233963-7	RING SPRING 45		1			
014	454337-1	LOCK SLEEVE		1			
015	234290-5	RING SPRING 59		1			
016	213707-1	O RING 65		1			
017	267469-3	FLAT WASHER 32		2			
018	262168-2	RUBBER RING 32		1			
020	310257-8	TOOL RETAINER		2			
021	326268-3	TOOL HOLDER		1			
022	213317-4	O RING 20		2			
023	213392-0	FLUORIDE RING 25		2			
026	326269-1	IMPACT BOLT		1			
027	326274-8	RING 17		1			
028	262166-6	RUBBER RING 18		1			
029	454347-8	SLIDE SLEEVE		1			
030	326270-6	STRIKER		1			
031	213695-2	O-RING 22		1			
032	234289-0	COMPRESSION SPRING 33		1			
033	346673-8	GUIDE RING		1			
034	256548-2	FLAT FILLISTER HEAD PIN 6		1			
035	346671-2	LINK PLATE		1			
036	313255-1	DRIVING SLEEVE		1			
037	257991-8	RETAINING RING (EXT) WR-32.5		1			
038	257340-9	RING 33		1			
039	267470-8	FLAT WASHER 33		2			
040	234287-4	COMPRESSION SPRING 34		1			
042	332063-1	CYLINDER 28.5		1			
043	257991-8	RETAINING RING (EXT) WR-32.5		1			
044	213406-5	O RING 30		3			
045	256197-5	PIN 7		1			
046	419004-5	PISTON		1			

047	213379-2	O RING 21		1		
048	213695-2	O-RING 22		1		
049	454317-7	CONNECTING ROD		1		
050	424560-2	HOUSING CAP		1		
051	141957-7	HOUSING COVER A COMPLETE		1		
052	227613-4	SPIRAL BEVEL GEAR 26		1		
053	454342-8	SPRING PLATE		2		
054	234286-6	COMPRESSION SPRING 11		4		
055	326273-0	COUNTER WEIGHT		2		
057	213325-5	O RING 19		2		
058	142289-5	HOLDER COMPLETE		2		
059	265995-6	TAPPING SCREW 4X18		1		
060	454326-6	CHANGE LEVER		1		
061	319652-9	CRANK CAP COVER		1		
062	458098-5	SPRING HOLDER		1		
063	911128-8	P.H.SCREW M4X16 WITH WR		4		
064	234282-4	COMPRESSION SPRING 12		2		
065	454345-2	CRANK LEVER		1		
066	213262-3	O RING 18		1		
067	424556-3	FILTER CAP		1		
068	443182-9	FILTER		1		
069	454319-3	CRANK CAP		1		
070	911128-8	P.H.SCREW M4X16 WITH WR		6		
071	424559-7	SEAL RING B		1		
072	232280-2	LEAF SPRING		1		
073	458100-4	LINK LEVER		1		
074	911511-9	PAN HEAD SCREW M4X10		1		
075	266041-8	TAPPING SCREW 5X25		4		
076	233603-7	TORSION SPRING 7		1		
077	454338-9	LINK GUIDE		1		
078	141953-5	CRANK HOUSING A COMPLETE		1		
079	126290-8	TORQUE LIMITER ASSEMBLY		1		
D10		INC. 80-87				
080	254239-9	KEY 4		2		
081	227612-6	SPIRAL BEVEL GEAR 7		1		
082	211232-6	BALL BEARING 6002LLU		1		
083	141959-3	TORQUE LIMITER COMPLETE		1		
084	324727-1	SHOULDER WASHER 8		1		
085	210005-4	BALL BEARING 608DDW		1		
086	253215-0	FLAT WASHER 8		1		
087	961004-6	RETAINING RING (EXT) S-8		1		
088	326271-4	CRANK SHAFT		1		
089	210183-0	BALL BEARING 6004LLU		1		
090	961060-6	RETAINING RING S-20		1		
091	227772-4	HELICAL GEAR 37		1		
093	253180-3	FLAT WASHER 10		1		
094	424558-9	SEAL RING A		1		
095	141955-1	GEAR HOUSING COMPLETE		1		
096	213231-4	OIL SEAL 15		1		
097	331596-3	SLEEVE 12		1		
098	211137-0	BALL BEARING 6201LLU		1		
099	253744-3	FLAT WASHER 12		1		

100	519492-7	ROTOR ASSY		1	*		
D10		INC. 97-99,101					
100-1	519707-2	ROTOR ASSY	O	1			
D10		INC. 97-99,101					
101	210005-4	BALL BEARING 608DDW		1			
103	265999-8	TAPPING SCREW 4X25		2			
104	458099-3	BAFFLE PLATE		1			
105	629335-6	STATOR		1			
106	632L39-3	LEAD UNIT		1			
107	652031-1	PAN HEAD SCREW M3X6		3			
108	620795-5	CONTROLLER B		1			
109	687877-6	STOPPER		1	*		
109-1	687B69-9	STOPPER	<	1			
110	266490-9	TAPPING SCREW PT 2X6		3			
111	454348-6	GUARD 40		1			
112	265999-8	TAPPING SCREW 4X25		2			
113	458051-1	MOTOR HOUSING		1			
114	347299-9	GUIDE PLATE		1			
115	922111-0	HEX. SOCKET HEAD BOLT M4X10		4			
116	256380-4	SHOULDER PIN 4-6		2			
117	422241-2	DOUBLE O-RING		2			
118	620797-1	ACCELEROMETER CIRCUIT		1			
119	251599-0	TAPPING SCREW 4X18		2			
120	620796-3	DIAL CIRCUIT		1			
121	620794-7	CONTROLLER		1			
122	458054-5	CONTROLLER COVER		1			
123	265999-8	TAPPING SCREW 4X25		2			
124	854C13-9	DHR400 NAME PLATE		1			
125	232411-3	COMPRESSION SPRING 8		1			
126	183J10-3	HOUSING SET		1	*		
C10	263005-3	RUBBER PIN 6		8	*		
D10		INC. 138					
126-1	183J10-3	HOUSING SET	<	1			
C10	263005-3	RUBBER PIN 6		8			
D10		INC. 138					
127	265999-8	TAPPING SCREW 4X25		4			
128	458096-9	TRIGGER LOCK		1			
129	458097-7	SWITCH LEVER		1			
130	651083-9	SWITCH C3XA-1PSPM		1			
131	232418-9	COMPRESSION SPRING 5		1			
132	632L47-4	CONNECTOR UNIT		1			
133	620549-0	LED CIRCUIT		1			
134	854C21-0	DHR400 SERIAL NO. LABEL		1			
135	644809-6	TERMINAL		2			
136	346783-1	PLATE		4			
137	265995-6	TAPPING SCREW 4X18		9			
138	183J10-3	HOUSING SET		1	*		
C10	263005-3	RUBBER PIN 6		8	*		
D10		INC. 126					
138-1	183J10-3	HOUSING SET	<	1			
C10	263005-3	RUBBER PIN 6		8			

D10		INC. 126				
139	213275-4	O RING 18		1	*	
139-1	213218-6	O RING 16	<	1		
140	816A25-8	CAP LABEL		1	*	
140-1	818H07-8	CAP LABEL	<	1		
141	183H95-7	CAP SET		1	*	
D10		INC. 139,140				
141-1	183J86-0	CAP SET	O	1	*	
D10		INC. 139,140				
141-2	140F99-0	CAP COMPLETE	<	1		
D10		INC. 139,140				
142	232280-2	LEAF SPRING		1		
A01	123138-5	SIDE GRIP ASSEMBLY		1		
A02	196792-8	SIDE HANDLE 73 SET		1		
A03	198993-4	GREASE VESSEL SET		1		
A04	821746-3	PLASTIC CASE		1		
C10	162271-8	LATCH		2		
A05	331955-1	DEPTH GAUGE		1		
A06	198900-7	WIRELESS UNIT SET		1	*	
A06-1	198900-7	WIRELESS UNIT SET	<	1	*	
A06-2	198900-7	WIRELESS UNIT SET	<	1		
A07	443122-7	CLOTH		1		
B01	197298-9	HAMMER SERVICE KIT		1		
C10	181490-7	HAMMER GREASE 30G		2		
C20	197245-0	CARBON BRUSH CB-351		1		
D10		INC. 1,22,23,31,48				
E01	818S16-3	CLEAR LABEL		1		
F01-1	199142-6	DUST EXTRACTOR ATT SET(EU)	<	1		
F03-1	199143-4	DUST EXTRACTOR ATT SET(EU)	<	1		
F05-1	199144-2	DUST EXTRACTOR ATT SET(EU)	<	1		
F07	199142-6	DUST EXTRACTOR ATT SET(EU)		1		
F08	199143-4	DUST EXTRACTOR ATT SET(EU)		1		
C10	424606-4	DUST COVER		1		
C20	454749-8	HOSE HOLDER A		1		
C30	454750-3	HOSE HOLDER B		1		
C40	454809-6	HOSE HOLDER C		1		
C50	458101-2	HOLDER JOINT		1		
F09	199144-2	DUST EXTRACTOR ATT SET(EU)		1		
117	422462-6	SPONGE WASHER		4		
118	620997-3	ACCELEROMETER CIRCUIT		1		
121	620996-5	CONTROLLER		1		
126-1	183L07-4	HOUSING SET		1		
138-1	183L07-4	HOUSING SET		1		
E02	267721-9	WAVE WASHER 15		1		

Please state Parts No. when your order.

Print Date 22/11/2023