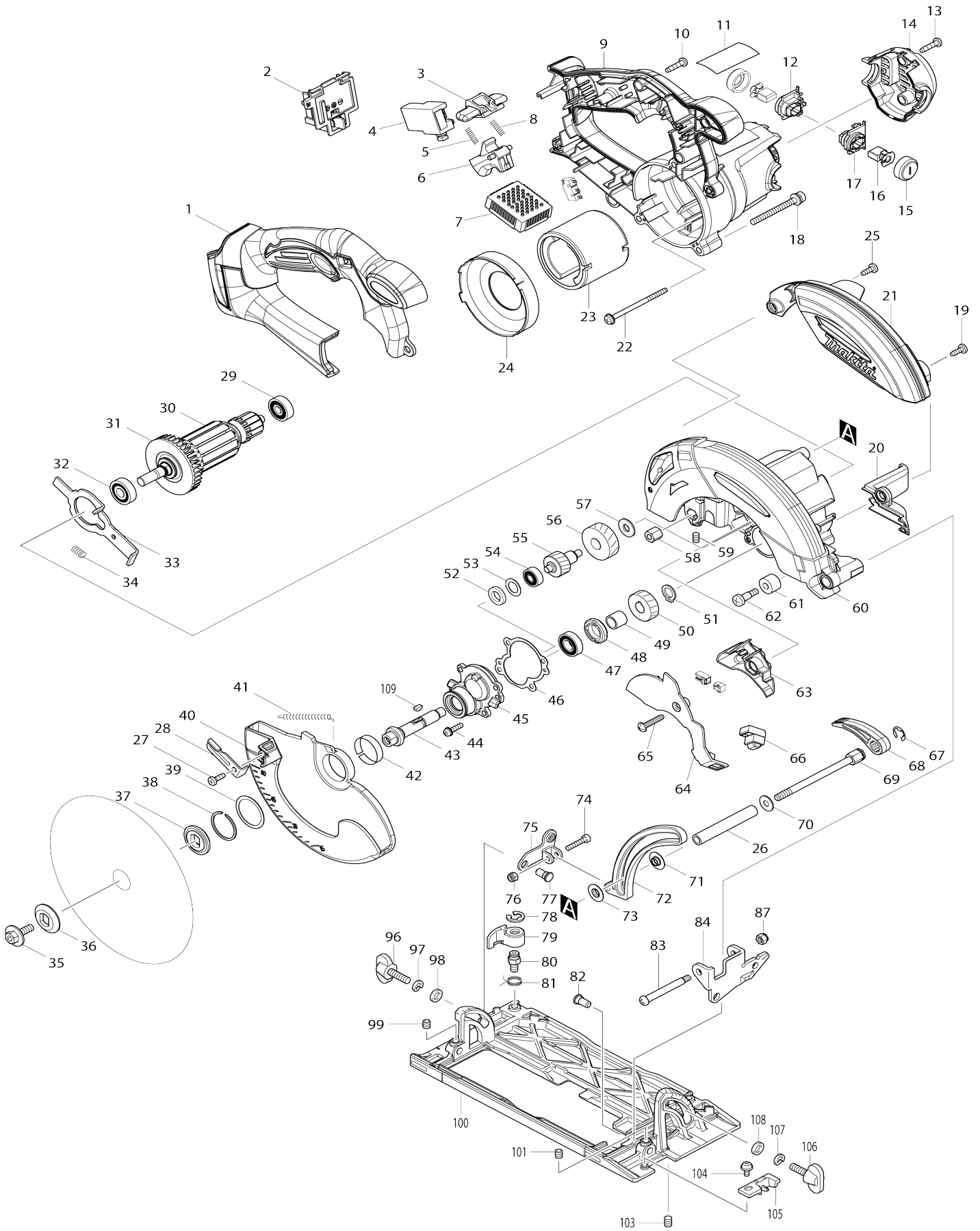


Model No.DHS630 165MM CORDLESS CIRCULAR SAW



Model No.DHS630 165MM CORDLESS CIRCULAR SAW

Item No.	Parts No.	Description	Interchangability	Q'ty	New/Old	Note1	Note2
001	141237-1	HANDLE COVER COMPLETE		1			
C10	263005-3	RUBBER PIN 6		1			
002	644808-8	TERMINAL		1			
003	419664-3	LOCK OFF LEVER		1			
004	650631-1	SWITCH		1			
005	231469-9	COMPRESSION SPRING 4		1			
006	419665-1	SWITCH LEVER		1			
007	620257-3	CONTROLLER		1	*		
C10	620059-7	SWITCH UNIT		1	*		
007-1	620G73-5	CONTROLLER	<	1			
C10	620059-7	SWITCH UNIT		1			
008	231469-9	COMPRESSION SPRING 4		1			
009	140984-1	MOTOR HOUSING COMPLETE		1			
C10	263005-3	RUBBER PIN 6		1			
010	265995-6	TAPPING SCREW 4X18		7			
011	815J60-7	DHS630 NAME PLATE		1			
012	643889-9	BRUSH HOLDER		1			
013	265995-6	TAPPING SCREW 4X18		2			
014	452787-4	REAR COVER		1			
015	643941-3	BRUSH HOLDER CAP		2			
016	194435-6	CARBON BRUSH CB-441		1			
017	643882-3	BRUSH HOLDER		1			
018	911258-5	PAN HEAD SCREW M5X35		3			
019	266026-4	TAPPING SCREW BIND CT 4X12		1			
020	452790-5	DUCT		1			
021	452789-0	BLADE COVER		1			
022	266292-3	TAPPING SCREW 4X65		2			
023	638571-3	YOKE UNIT		1			
024	452785-8	BAFFLE PLATE		1			
025	266026-4	TAPPING SCREW BIND CT 4X12		1			
026	331947-0	PIPE 6		1			
027	266020-6	TAPPING SCREW 4X12		1			
028	272270-3	LEVER 39		1			
029	210023-2	BALL BEARING 627DDW		1			
030	519288-6	ARMATURE ASSEMBLY 18V		1			
D10		INC. 29,31,32					
031	241869-5	FAN 55		1			
032	210051-7	BALL BEARING 609LLB		1			
033	344681-3	SHAFT LOCK		1			
034	233117-6	COMPRESSION SPRING 6		1			
035	266458-5	HEX.SOCKET HEX.BOLT M6X18		1			
036	224421-4	OUTER FLANGE 28		1			
037	224417-5	INNER FLANGE 28		1			
038	257938-2	RETAINING RING(EXT) WR-26		1			
039	267127-1	FLAT WASHER 26		1			
040	452791-3	SAFETY COVER		1			
041	231874-0	TENSION SPRING 4		1			

042	345470-9	THICKNESS RING		1		
043	326410-6	SPINDLE		1		
044	911128-8	P.H.SCREW M4X16 WITH WR		4		
045	140983-3	BEARING BOX COMPLETE		1		
C10	263002-9	RUBBER PIN 4		1		
046	442141-0	GASKET		1		
047	210069-8	BALL BEARING 6900DDW		1		
048	285847-5	BEARING RETAINER 14-23		1		
049	257284-3	RING 10		1		
050	227791-0	HELICAL GEAR 24		1		
051	961006-2	RETAINING RING S-10		1		
052	262155-1	RUBBER RING 10		1		
053	267369-7	FLAT WASHER 11		1		
054	211012-0	BALL BEARING 606ZZ		1		
055	227717-2	HELICAL GEAR 17		1		
056	226676-7	HELICAL GEAR 39		1		
057	253823-7	FLAT WASHER 7		1		
058	264064-0	HEX.NUT M6		1		
059	266229-0	H.S.SET SCREW(CUP POINT)M5X8		1		
060	141002-8	BLADE CASE COMPLETE		1		
C10	213953-6	O RING 24		1		
061	262511-5	RUBBER SLEEVE 6		1		
062	265115-2	+ PAN HEAD SCREW M5		1		
063	452786-6	CONNECTOR BOX		1		
064	452788-2	COVER		1		
065	266042-6	TAPPING SCREW BIND CT 4X20		1		
066	631694-6	LED CIRCUIT		1		
067	961014-3	STOP RING E-8		1		
068	272260-6	LEVER 55		1		
069	265595-2	HEX.BOLT M6X85		1		
070	253804-1	FLAT WASHER 6		1		
071	346477-8	COLLOR		1		
072	318245-9	DEPTH GUIDE		1		
073	346477-8	COLLOR		1		
074	922137-2	HEX. SOCKET HEAD BOLT M4X20		1		
075	345876-1	REAR ANGULAR GUIDE		1		
076	252126-6	HEX. LOCK NUT M4-7		1		
077	256480-0	SHOULDER PIN 6-7		1		
078	961012-7	STOP RING E-6		2		
079	453165-1	LOCK LEVER		2		
080	265571-6	HEX. BOLT M6X10		2		
081	233596-8	TORSION SPRING 11		2		
082	256480-0	SHOULDER PIN 6-7		1		
083	265072-4	+ PAN HEAD SCREW M5		1	*	
083-1	265118-6	+ PAN HEAD SCREW M5	O	1		
084	345590-9	ANGULAR GUIDE		1		
087	252103-8	HEX. LOCK NUT M5-8		1		
096	265708-5	THUMB SCREW M6X20		1		
097	942151-2	SPRING WASHER 6		1		
098	941151-9	FLAT WASHER 6		1		
099	266039-5	H.S.SET SCREW(FLAT POINT) M6X 6		1		

100	310511-0	BASE		1	*		
100-1	310931-8	BASE	<	1			
101	266039-5	H.S.SET SCREW(FLAT POINT) M6X6		1			
103	266208-8	H.S.SET SCREW(CUP POINT)M6X8		1			
104	911109-2	PAN HEAD SCREW M4X8		1			
105	450333-7	TOP GUIDE		1			
106	265708-5	THUMB SCREW M6X20		1			
107	942151-2	SPRING WASHER 6		1			
108	941151-9	FLAT WASHER 6		1			
109	254031-3	WOODRUFF KEY 3		1			
A01	164095-8	GUIDE RULE		1			
A02	783203-8	HEX. WRENCH 5		1			
A03	D-26630	T.C.T.SAW BLADE 165X20X16T		1	*		
A03-1	D-51079	T.C.T.SAW BLADE 165X20X16T	O	1			
A04	194314-8	DUST NOZZLE SET		1			
C10	265774-2	THUMB SCREW M4X19		1			
C20	257502-9	SLEEVE 5		1			
C30	213957-8	O RING 2		1			
E01	688163-8	LINE FILTER		1			
E02	688172-7	LINE FILTER		1			
F01	199140-0	GUIDE RAIL 1000 SET		1			
F10-2	197252-3	GUIDE RAIL ADAPTER SET	O	1			
F11-3	197267-0	BATTERY BL1840B SET	O	1			
F12-3	197265-4	BATTERY BL1840B SET	O	1			
F13-3	197273-5	BATTERY BL1840B SET(2PIECES)	O	1			
F14-3	197267-0	BATTERY BL1840B SET	O	1			
F15-3	197265-4	BATTERY BL1840B SET	O	1			
F16-2	196235-0	BATTERY BL1815N SET	O	1			
F17-1	196449-1	BATTERY BL1815N SET	O	1			
F18-2	196449-1	BATTERY BL1815N SET	O	1			
A05	***DC18RC	DC18RC FAST CHARGER		1			
A06	194204-5	BATTERY BL1830 SET		2	*		
A06-1	194204-5	BATTERY BL1830 SET	O	2	*		
A06-2	197600-6	BATTERY BL1830B SET	<	2	*		
A06-3	197600-6	BATTERY BL1830B SET	O	2			
A07	824995-1	PLASTIC CARRYING CASE		1			
C10	162315-4	LATCH		2			
C20	452137-3	HANDLE		1			
C30	453229-1	THUMB SCREW M12X8		1			
A08	803E87-9	DHS630RFE PLASTIC CASE LABEL		2			
A09	450128-8	BATTERY COVER		1			
A07	821552-6	CONNECTOR PLASTIC CASE (TYP E4)		1			
C10	453974-8	LATCH		4			
A08	837635-2	INNER TRAY		1			
A10	803E84-5	DHS630RFJ INDICATION LABEL		1			
A11	803E86-1	DHS630RFJ PLASTIC CASE LABEL		2			
A10	803E83-7	DHS630ZJ INDICATION LABEL		1			
A11	803E85-3	DHS630ZJ PLASTIC CASE LABEL		2			

Please state Parts No. when your order.

Print Date 24/10/2023