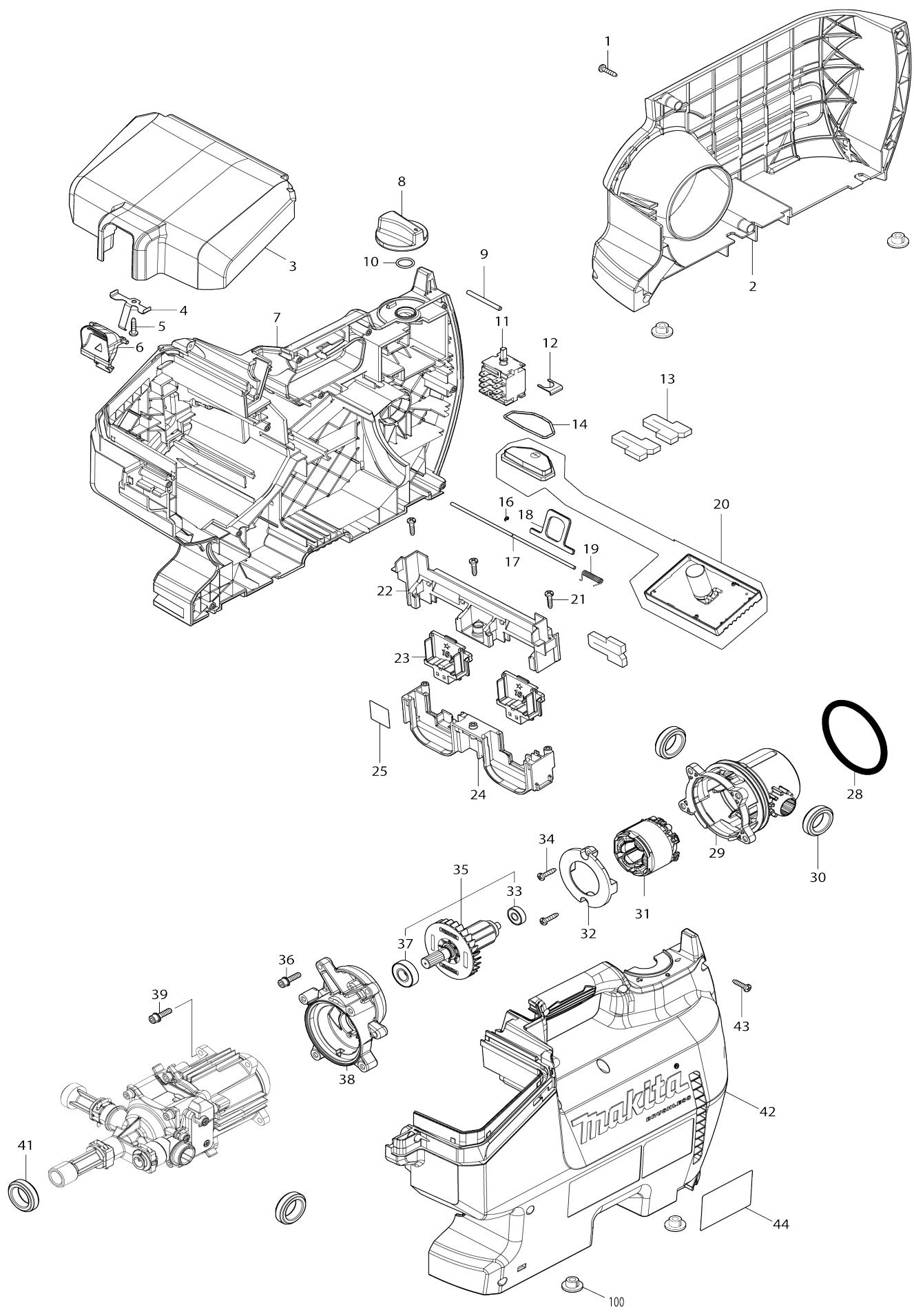
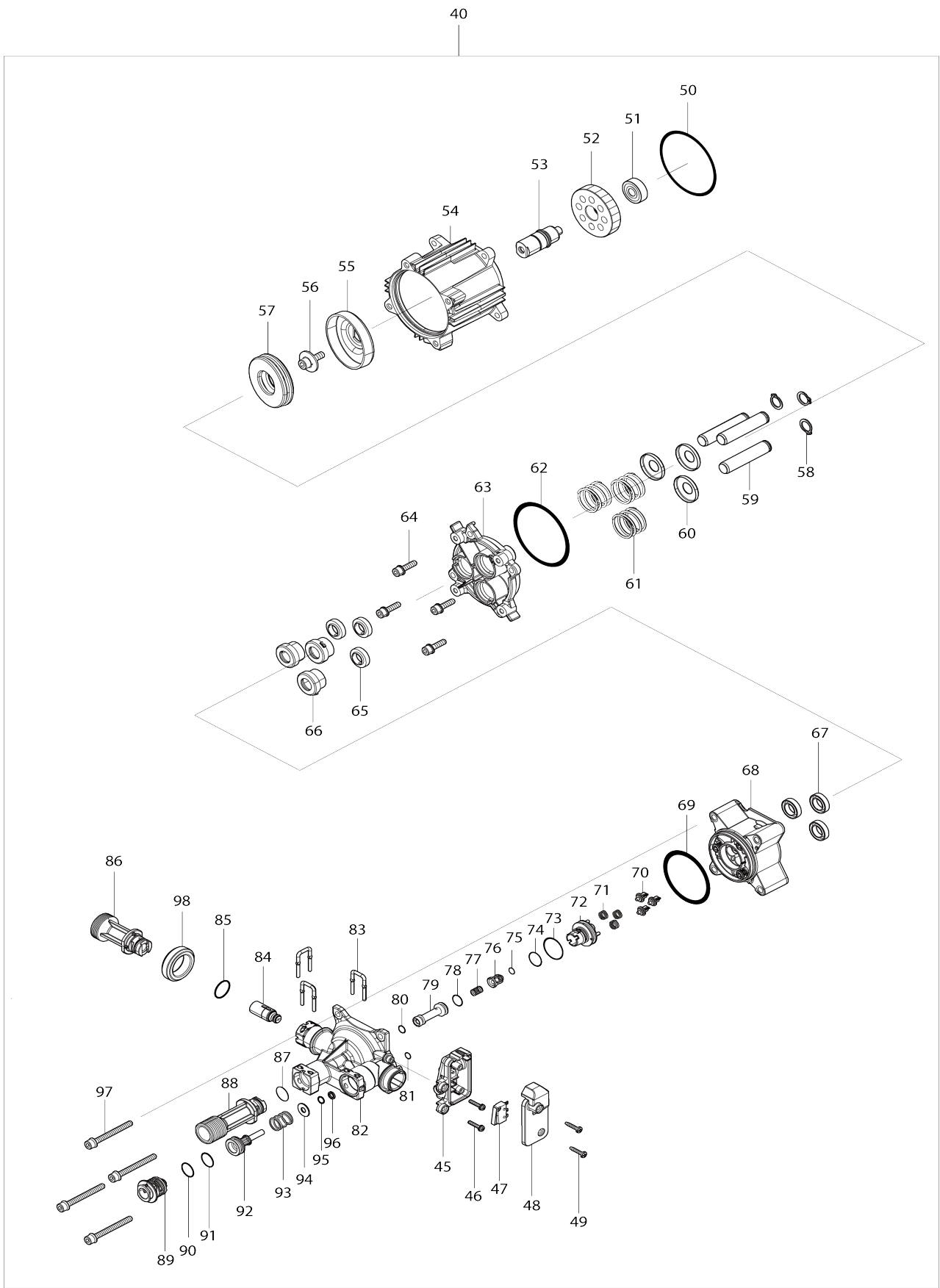


Model No.DHW080 CORDLESS HIGH PRESSURE WASHER



Model No.DHW080 CORDLESS HIGH PRESSURE WASHER



Model No.DHW080 CORDLESS HIGH PRESSURE WASHER

Item No.	Parts No.	Description	Interchangability	Q'ty	New/Old	Note1	Note2
001	266326-2	TAPPING SCREW 4X18		5			
002	458336-5	ACCESSORY BOX		1			
003	458332-3	BATTERY BOX COVER		1	*		
003-1	412900-6	BATTERY BOX COVER	S	1	*		
003-2	413734-0	BATTERY BOX COVER	<	1			
004	232471-5	LEAF SPRING		1	*		
004-1	232658-9	LEAF SPRING	<	1			
005	266326-2	TAPPING SCREW 4X18		1			
006	459380-5	LOCK LEVER		1			
007	183M37-1	HOUSING SET		1	*		
C10	809R02-9	CAUTION LABEL		1	*		
D10		INC. 42					
007-1	183R51-7	HOUSING SET	S	1			
C10	809R02-9	CAUTION LABEL		1			
D10		INC. 42					
008	456837-7	SWITCH DIAL 50		1			
009	268292-9	PIN 4		1			
010	213176-6	O RING 14		1			
011	651382-9	SWITCH 1703.4702		1			
012	347530-3	LOCK PLATE		1			
013	422411-3	SPONGE		3			
014	213527-3	O RING 38		1			
016	257926-9	STOP RING E-2.0		1			
017	327333-1	ROD 3		1			
018	347513-3	HOOK		1			
019	232435-9	TORSION SPRING 4		1	*		
019-1	232704-8	TORSION SPRING 4	<	1			
020	620B17-5	CONTROLLER COMPLETE		1			
C10	819R38-0	INDICATION LABEL		1			
021	266326-2	TAPPING SCREW 4X18		3			
022	183M55-9	TERMINAL HOLDER SET		1			
C10	263005-3	RUBBER PIN 6		4			
D10		INC. 24					
023	644809-6	TERMINAL		2			
024	183M55-9	TERMINAL HOLDER SET		1			
C10	263005-3	RUBBER PIN 6		4			
D10		INC. 22					
025	855Y74-4	DHW080 SERIAL NO. LABEL		1			
028	422250-1	RECEIVE RUBBER		1			
029	458326-8	MOTOR HOUSING		1			
030	422409-0	RUBBER CUSHION		2			
031	629414-0	STATOR		1	*		
031-1	629C12-8	STATOR	S	1			
032	458327-6	BAFFLE PLATE		1			
033	210062-2	BALL BEARING 607ZZ		1			
034	266326-2	TAPPING SCREW 4X18		2			
035	519570-3	ROTOR ASSEMBLY		1			

D10		INC. 33,37				
036	922233-6	H.S.H.BOLT M5X20 WITH WR		4		
037	211131-2	BALL BEARING 6001DDW		1		
038	161823-2	GEAR HOUSING COMPLETE		1		
C10	263002-9	RUBBER PIN 4		2		
039	922233-6	H.S.H.BOLT M5X20 WITH WR		4		
040	126764-9	PUMP ASSEMBLY		1	*	
D10		INC. 45-98				
040-1	127722-8	PUMP ASSEMBLY	<	1	*	
D10		INC. 45-98				
040-2	127774-9	PUMP ASSEMBLY	<	1	*	
D10		INC. 45-98				
040-3	122A67-5	PUMP ASSEMBLY	<	1	*	
D10		INC. 45-98				
040-4	122C03-3	PUMP ASSEMBLY	<	1		
D10		INC. 45-98				
041	422409-0	RUBBER CUSHION		2		
042	183M37-1	HOUSING SET		1	*	
C10	809R02-9	CAUTION LABEL		1	*	
D10		INC. 7				
042-1	183R51-7	HOUSING SET	S	1		
C10	809R02-9	CAUTION LABEL		1		
D10		INC. 7				
043	266326-2	TAPPING SCREW 4X18		11		
044	855Y66-3	DHW080 NAME PLATE		1		
045	183M00-4	SWITCH BOX SET		1		
D10		INC. 48				
046	911028-2	PAN HEAD SCREW M3X16		2		
047	632N61-2	SWITCH UNIT		1		
048	183M00-4	SWITCH BOX SET		1		
D10		INC. 45				
049	266130-9	TAPPING SCREW BIND PT 3X16		2		
050	213706-3	O RING 67		1		
051	210032-1	BALL BEARING 628DDW		1		
052	221597-8	HELICAL GEAR 47		1		
053	327076-5	SPINDLE		1		
054	161821-6	PUMP HOUSING COMPLETE		1		
055	347341-6	WOBBLE PLATE 8.5		1	*	
055-1	347B66-4	WOBBLE PLATE 8.5	O	1		
056	265A34-8	H.S.H.BOLT M6X20 WITH WR		1		
057	210176-7	THRUST BALL BEARING 2454		1		
058	961052-5	RETAINING RING (EXT) S-12		3		
059	327075-7	PISTON PIN 12		3		
060	347340-8	SPRING RETAINER C		3		
061	232434-1	COMPRESSION SPRING 22		3		
062	213706-3	O RING 67		1		
063	319670-7	PISTON SYLINDER		1		
064	922233-6	H.S.H.BOLT M5X20 WITH WR		4		
065	213861-1	OIL SEAL 12		3		
066	458323-4	SEAL HOLDER 12		3		
067	422254-3	PACKING 12		3		
068	161820-8	PISTON HOUSING COMPLETE		1	*	

068-1	162994-8	PISTON HOUSING COMPLETE	<	1			
069	213656-2	O RING 53		1			
070	458320-0	OUTFLOW VALVE		3			
071	232432-5	COMPRESSION SPRING 7		3			
072	458321-8	VALVE HOLDER		1			
073	213379-2	O RING 21		1			
074	213238-0	O-RING 13		1			
075	213005-3	O RING 5		1			
076	458322-6	SPRING RETAINER A		1			
077	232433-3	COMPRESSION SPRING 6		1			
078	213055-8	O RING 10		1			
079	458309-8	ADJUST HOLDER		1			
080	213011-8	O RING 7		1			
081	213005-3	O RING 5		1			
082	319784-2	PUMP HEAD		1	*		
082-1	313420-2	PUMP HEAD	<	1			
083	327074-9	U TYPE PIN 3		3			
084	126765-7	RELIEF VALVE ASSEMBLY		1			
085	213176-6	O RING 14		1			
086	458316-1	INFLOW JOINT		1			
087	213176-6	O RING 14		1			
088	458315-3	OUTFLOW JOINT		1	*		
088-1	412804-2	OUTFLOW JOINT	<	1			
089	458310-3	PUMP HEAD CAP		1			
090	213223-3	O RING 16		1			
091	213154-6	O RING 14		1	*		
091-1	213922-7	O-RING 14	<	1			
092	458311-1	PRESSURE PIN		1			
093	232429-4	COMPRESSION SPRING 11		1			
094	253407-1	FLAT WASHER 5A		1			
095	213005-3	O RING 5		1			
096	253408-9	FLAT WASHER 5B		1			
097	265A33-0	H.S.H.BOLT M5X50 WITH WR		4			
098	422409-0	RUBBER CUSHION		1			
100	286212-1	CAP 20		4			
101	422719-5	BATTERY COVER SEAL		1			
102	620K96-7	CONTROLLER B	S	1			
103	638A35-3	LEAD UNIT	S	1			
104	652119-7	PAN HEAD SCREW M2X6	S	6			
A01	197842-2	TRIGGER GUN SET		1			
A02	197822-8	VARIABLE NOZZLE SET		1			
A03	197873-1	SELF-SUCTION HOSE SET		1	*		
A03-1	197873-1	SELF-SUCTION HOSE SET	O	1	*		
A03-2	1910R1-6	HOSE ASSEMBLY SET	S	1			
A04	197883-8	ONE TOUCH JOINT SET		1	*		
A05	197881-2	ABSORPTION CONNECTOR SET		1	*		
A05-1	122F22-7	ABSORPTION CONNECTOR G3/4	<	1			
A06	197879-9	CLEANER PIN SET		1			
A07	126766-5	HIGH PRESSURE HOSE 5M		1			
A08	127104-4	STORAGE BOX ASSEMBLY		1			
D10		COMPO-PARTS					

A09	197824-4	CYCLONE JET NOZZLE SET		1		
A17	1910R2-4	STRAINER ASSEMBLY SET	S	1		
E01	819S90-4	SOUND 87DB LABEL		1		
F04	197831-7	ROTATING BRUSH SET		1		
F05-1	197837-5	PIPE CLEANING HOSE 10M SET	O	1		
F06-1	197840-6	PIPE CLEANING HOSE 15M SET	O	1		
F08	197845-6	EXTENDED HIGH P. HOSE 5M SET		1		
F09	197847-2	EXTENDED HIGH P. HOSE 8M SET		1		
F10	197850-3	EXTENDED HIGH P. HOSE 10M SET		1		
F11	197853-7	ACCESSORY JOINT SET		1		
F12	197859-5	UNDER BODY SPRAY LANCE SET		1		
F15	197870-7	EXTENSION PIPE SET		1		
F23	191U86-2	VARIO SPRAY NOZZLE SET		1		
F24	191U88-8	VARIO SPRAY LANCE SET		1		

Please state Parts No. when your order.

Print Date 02/19/2024