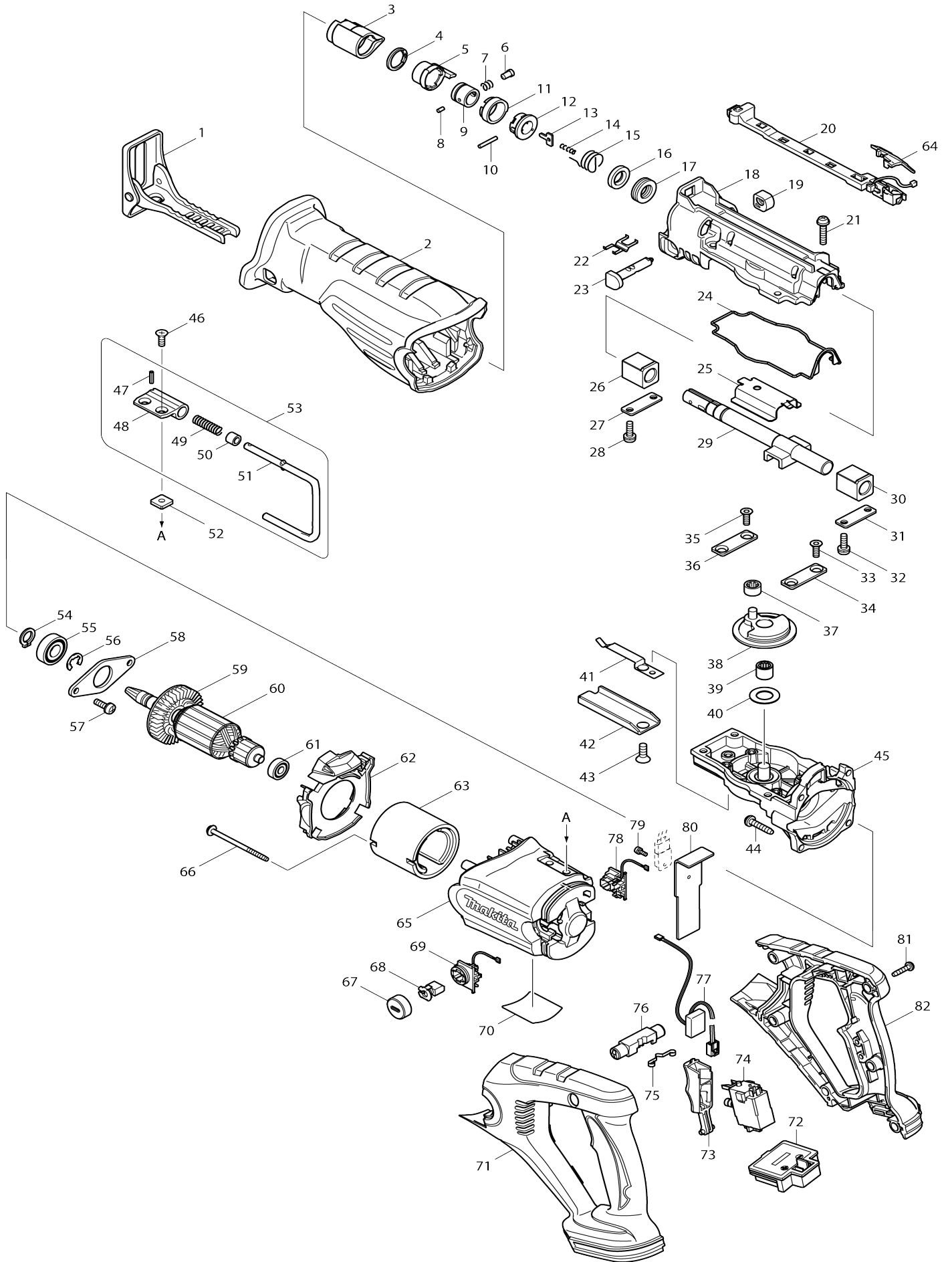


Model No. DJR181 CORDLESS RECIPRO SAW



Model No.DJR181 CORDLESS RECIPRO SAW

Item No.	Parts No.	Description	Interchangability	Q'ty	New/Old	Note1	Note2
001	165406-0	SHOE		1	*		
001-1	163451-9	SHOE	O	1			
002	421945-3	INSULATION COVER		1			
003	424147-0	PROTECTOR		1			
004	257952-8	RETAINING RING (EXT) 18		1	*		
004-1	257430-8	RETAINING RING(EXT)18	S	1			
005	310285-3	DRIVING SLEEVE		1			
006	256492-3	SHOULDER PIN 5		1			
007	233345-3	COMPRESSION SPRING 6		1			
008	268094-3	PIN 3		1			
009	331720-8	GUIDE SLEEVE		1	*		
009-1	327043-0	GUIDE SLEEVE	S	1			
010	256158-5	PIN 3		1			
011	417791-0	DRIVING SLEEVE GUIDE		1			
012	418311-3	SLEEVE		1			
013	345214-7	PUSH PLATE		1			
014	233025-1	COMPRESSION SPRING 2		1			
015	231687-9	TORSION SPRING 17		1			
016	213151-2	OIL SEAL 14		1			
017	213174-0	X RING 14		1			
018	154813-2	GEAR HOUSING COVER COMPLETE		1			
D10		INC. 16,17					
019	418806-6	CAP		1			
020	631689-9	LED CIRCUIT		1			
021	911243-8	PAN HEAD SCREW M5X25		4			
022	232221-8	LEAF SPRING A		1			
023	162236-0	SHIFT BUTTON		1			
024	421946-1	SEAL RING		1			
025	345480-6	SLIDE PLATE		1			
026	214170-1	PLANE BEARING 14A		1			
027	341462-6	PLATE		1			
028	911225-0	PAN HEAD SCREW M5X16		2			
029	168405-1	SLIDER		1			
030	214170-1	PLANE BEARING 14A		1			
031	341462-6	PLATE		1			
032	911225-0	PAN HEAD SCREW M5X16		2			
033	265148-7	TORX SOCKET HEAD SCREW M5X14		2			
034	344795-8	PLATE C		1			
035	265148-7	TORX SOCKET HEAD SCREW M5X14		2			
036	344795-8	PLATE C		1			
037	212959-1	NEEDLE BEARING 708		1			
038	125423-2	GEAR ASSY		1			
D10		INC. 39					
039	212080-6	NEEDLE BEARING 1012		1			
040	253797-2	FLAT WASHER 14		1			

041	232222-6	LEAF SPRING B		1		
042	345479-1	SHOE GUIDE		1		
043	265165-7	TORXSOCKET C.S.HEADSCREW M 6X16		1		
044	266041-8	TAPPING SCREW 5X25		4		
045	154812-4	GEAR HOUSING COMPLETE		1		
046	912207-5	COUNTERSUNK HEAD SCREW M5 X10		2		
047	951057-3	SPRING PIN 3-12		1		
048	313127-0	JOINT		1		
049	233455-6	COMPRESSION SPRING 7		1		
050	262561-0	SLEEVE 6		1		
051	281218-4	HOOK		1		
052	264002-2	SQUARE NUT M5		2		
053	125321-0	HOOK ASS'Y		1		
D10		INC. 47-51				
054	961052-5	RETAINING RING (EXT) S-12		1		
055	210102-6	BALL BEARING 6001DDW		1		
056	961016-9	STOP RING E-10		1		
057	911225-0	PAN HEAD SCREW M5X16		2		
058	285726-7	BEARING RETAINER 63		1		
059	241869-5	FAN 55		1		
060	519176-7	ARMATURE ASS'Y 18V		1		
D10		INC. 59,61				
061	210062-2	BALL BEARING 607ZZ		1		
062	419333-6	BAFFLE PLATE		1		
063	638107-8	YOKE UNIT		1		
064	419327-1	COVER		1		
065	419330-2	MOTOR HOUSING		1		
066	266292-3	TAPPING SCREW 4X65		2		
067	643941-3	BRUSH HOLDER CAP		2		
068	194435-6	CARBON BRUSH CB-441		1	*	
068-1	195022-4	CARBON BRUSH SET CB-441	O	1		
070	815E72-0	DJR181 NAME PLATE		1		
071	187485-8	HANDLE SET		1		
D10		INC. 82				
072	644808-8	TERMINAL		1		
073	419336-0	SWITCH LEVER		1		
074	650647-6	SWITCH C3LA-2A-LLMS		1		
075	232152-1	LEAF SPRING		1		
076	419334-4	LOCK OFF BUTTON		1		
077	631690-4	POWER SUPPLY CIRCUIT		1		
078	638914-9	BRUSH HOLDER COMPLETE		1	*	
078-1	638914-9	BRUSH HOLDER COMPLETE	O	1		
C10	654086-2	RECEPTACLE		1		
079	911006-2	PAN HEAD SCREW M3X8		1		
080	689116-0	HEAT SINK		1		
081	266045-0	TAPPING SCREW 4X20		6		
082	187485-8	HANDLE SET		1		
D10		INC. 71				
A01	B-05169	RECIPROSAWBLADE FOR METAL		1		
A02	B-05175	RECIPROSAWBLADE FOR WOOD		1		

A03	141354-7	PLASTIC CARRYING CASE COMPL ETE		1			
C10	163455-1	LATCH		2			
A04	***DC18RC	DC18RC FAST CHARGER		1			
A05	194204-5	BATTERY BL1830 SET		1	*		
A05-1	194204-5	BATTERY BL1830 SET	O	1	*		
A05-2	197600-6	BATTERY BL1830B SET	<	1	*		
A05-3	197600-6	BATTERY BL1830B SET	O	1			
A06	802T80-0	DJR181RF PLASTIC CASE LABEL		1			
F11-3	197606-4	BATTERY BL1830B SET (2PIECES)	O	1	*		
A06	802T81-8	DJR181RFE PLASTIC CASE LABEL		1	*		
A06-1	802T85-0	DJR181RFE PLASTIC CASE LABEL	<	1			
A07	450128-8	BATTERY COVER		1			
A05	196399-0	BATTERY BL1840 SET		2	*		
A05-1	196399-0	BATTERY BL1840 SET	O	2	*		
A05-2	197265-4	BATTERY BL1840B SET	<	2	*		
A05-3	197265-4	BATTERY BL1840B SET	O	2			
A06	803U15-0	DJR181RM PLASTIC CASE LABEL		1	*		
A06-1	806J43-8	DJR181RME PLASTIC CASE LABEL	<	1			

Please state Parts No. when your order.

Print Date 02/23/2024