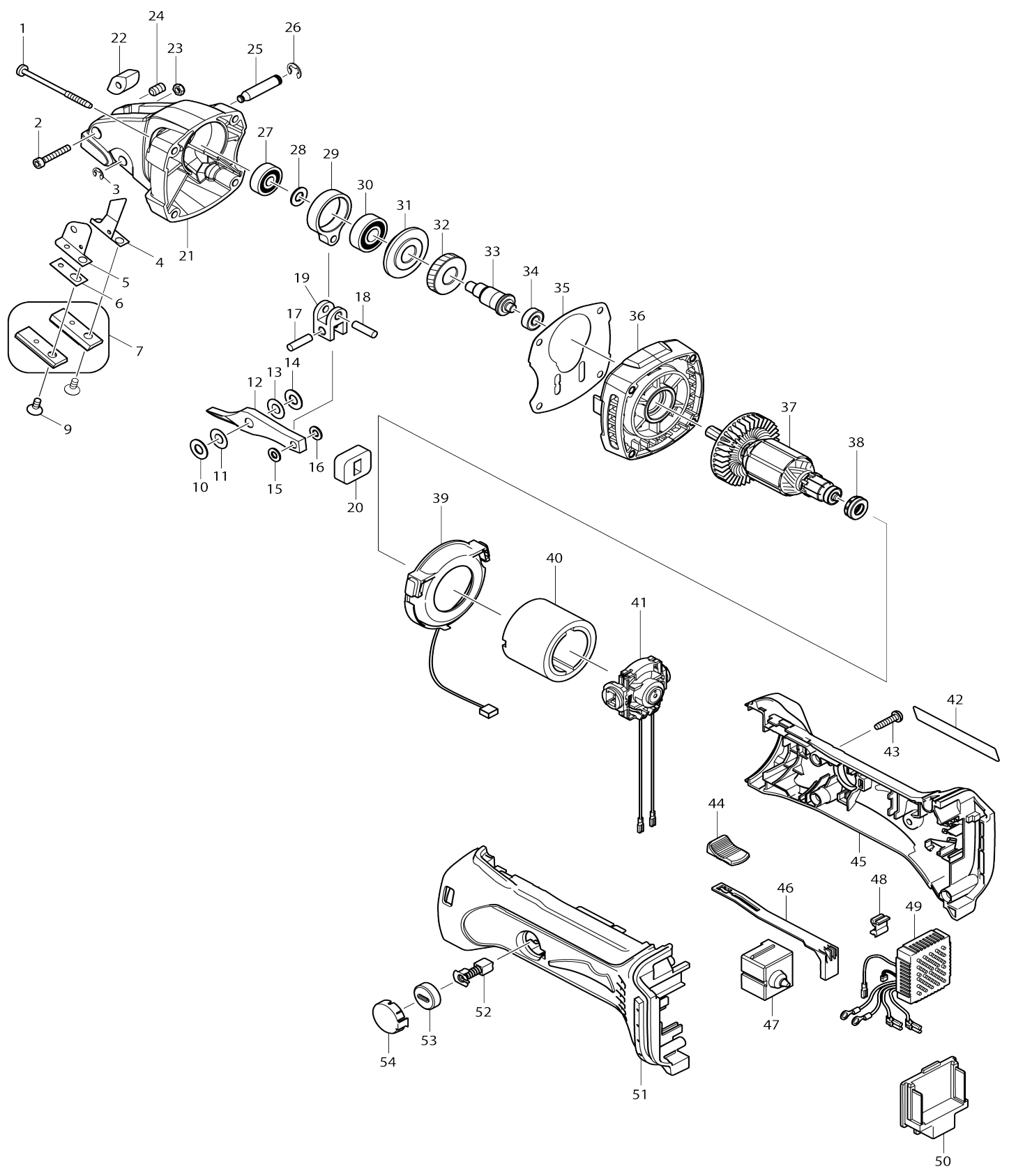


# Model No.DJS101 1.0MM CORDLESS METAL SHEAR



Model No.DJS101 1.0MM CORDLESS METAL SHEAR

Item No.	Parts No.	Description	Interchangeability	Q'ty	New/Old	Note1	Note2
001	266091-3	TAPPING SCREW 4X50		4			
002	922147-9	HEX. SOCKET HEAD BOLT M4X25		1			
003	961011-9	STOP RING E-4		1			
004	346131-4	SLIP PLATE R		1			
005	343480-0	SLIP PLATE L		1			
006	343481-8	SPACER		1			
007	792536-0	SIDE BLADE SET		1			
009	251951-2	HEX. SOCKET C.S.H. SCREW M5X10		2			
010	261065-9	FLUOROPLASTIC WASHER 7		1	*		
010-1	261065-9	FLUOROPLASTIC WASHER 7	O	1	*		
010-2	261065-9	FLUOROPLASTIC WASHER 7	O	1			
011	253338-4	THIN WASHER 7		1			
012	792537-8	CENTER BLADE		1			
013	253338-4	THIN WASHER 7		1			
014	261065-9	FLUOROPLASTIC WASHER 7		1	*		
014-1	261065-9	FLUOROPLASTIC WASHER 7	O	1	*		
014-2	261065-9	FLUOROPLASTIC WASHER 7	O	1			
015	267010-2	FLAT WASHER 5		1			
016	267010-2	FLAT WASHER 5		1			
017	256155-1	PIN 5		1			
018	256155-1	PIN 5		1			
019	331329-6	LINK		1			
020	423118-4	DUST COVER		1			
021	140130-6	CRANK HOUSING COMPLETE		1			
022	325727-4	BLOCK		1			
023	252083-8	HEX. LOCK NUT M4-7		1			
024	266085-8	H.S.SET SCREW(FLAT POINT)M6X10		1			
025	256733-7	PIN 7		1			
026	961012-7	STOP RING E-6		1			
027	210023-2	BALL BEARING 627DDW		1			
028	253133-2	FLAT WASHER 7		1			
029	331273-7	ROD		1			
030	210067-2	BALL BEARING 6000ZZ		1			
031	325716-9	SEALING SCREW		1			
032	227716-4	HELICAL GEAR 34		1			
033	325715-1	CRANK SHAFT		1			
034	210033-9	BALL BEARING 696ZZ		1			
035	442150-9	GASKET		1			
036	140131-4	GEAR HOUSING COMPLETE		1			
C10	263002-9	RUBBER PIN 4		1			
037	619249-7	ARMATURE		1			
038	421977-0	RUBBER RING 13		1			
039	631714-6	LED CIRCUIT		1			
040	638627-2	YOKE UNIT		1			
041	638921-2	ENDBELL COMPLETE		1			
042	850H44-6	DJS101 NAME PLATE		1			

043	265995-6	TAPPING SCREW 4X18		5	*		
043-1	266326-2	TAPPING SCREW 4X18	O	5			
044	419566-3	SWITCH KNOB		1			
045	187839-9	HOUSING SET		1			
C10	263005-3	RUBBER PIN 6		2			
D10		INC. 51					
046	419519-2	SWITCH LEVER		1			
047	650579-7	SWITCH 1246.3223		1			
048	424026-2	CUSHION		1			
049	620243-4	CONTROLLER		1			
050	644808-8	TERMINAL		1			
051	187839-9	HOUSING SET		1			
C10	263005-3	RUBBER PIN 6		2			
D10		INC. 45					
052	191971-3	CARBON BRUSH CB-430		1			
053	643929-3	BRUSH HOLDER CAP		2			
054	419518-4	HOLDER CAP COVER		2			
A01	783201-2	HEX. WRENCH 3		1			
A02	***DC18RC	DC18RC FAST CHARGER		1			
A03	194204-5	BATTERY BL1830 SET		2	*		
A03-1	194204-5	BATTERY BL1830 SET	O	2	*		
A03-2	197600-6	BATTERY BL1830B SET	<	2	*		
A03-3	197600-6	BATTERY BL1830B SET	O	2			
A04	450128-8	BATTERY COVER		1			
A05	141478-9	PLASTIC CASE COMPLETE		1			
C10	163455-1	LATCH		2			
A05	821550-0	CONNECTOR PLASTIC CASE (TYP E2)		1			
C10	453974-8	LATCH		4			
A06	837636-0	INNER TRAY		1			
A07	804B41-8	DJS101RFJ INDICATION LABEL		1			
A08	804B43-4	DJS101RFJ PLASTIC CASE LABEL		2			
A07	804B42-6	DJS101ZJ INDICATION LABEL		1			
A08	804B44-2	DJS101ZJ PLASTIC CASE LABEL		2			
A03	196399-0	BATTERY BL1840 SET		2	*		
A03-1	196399-0	BATTERY BL1840 SET	O	2	*		
A03-2	197265-4	BATTERY BL1840B SET	<	2	*		
A03-3	197265-4	BATTERY BL1840B SET	O	2			
A07	804B50-7	DJS101RMJ INDICATION LABEL		1			
A08	804B51-5	DJS101RMJ PLASTIC CASE LABEL		2			

Please state Parts No. when your order.

Print Date 24/10/2023