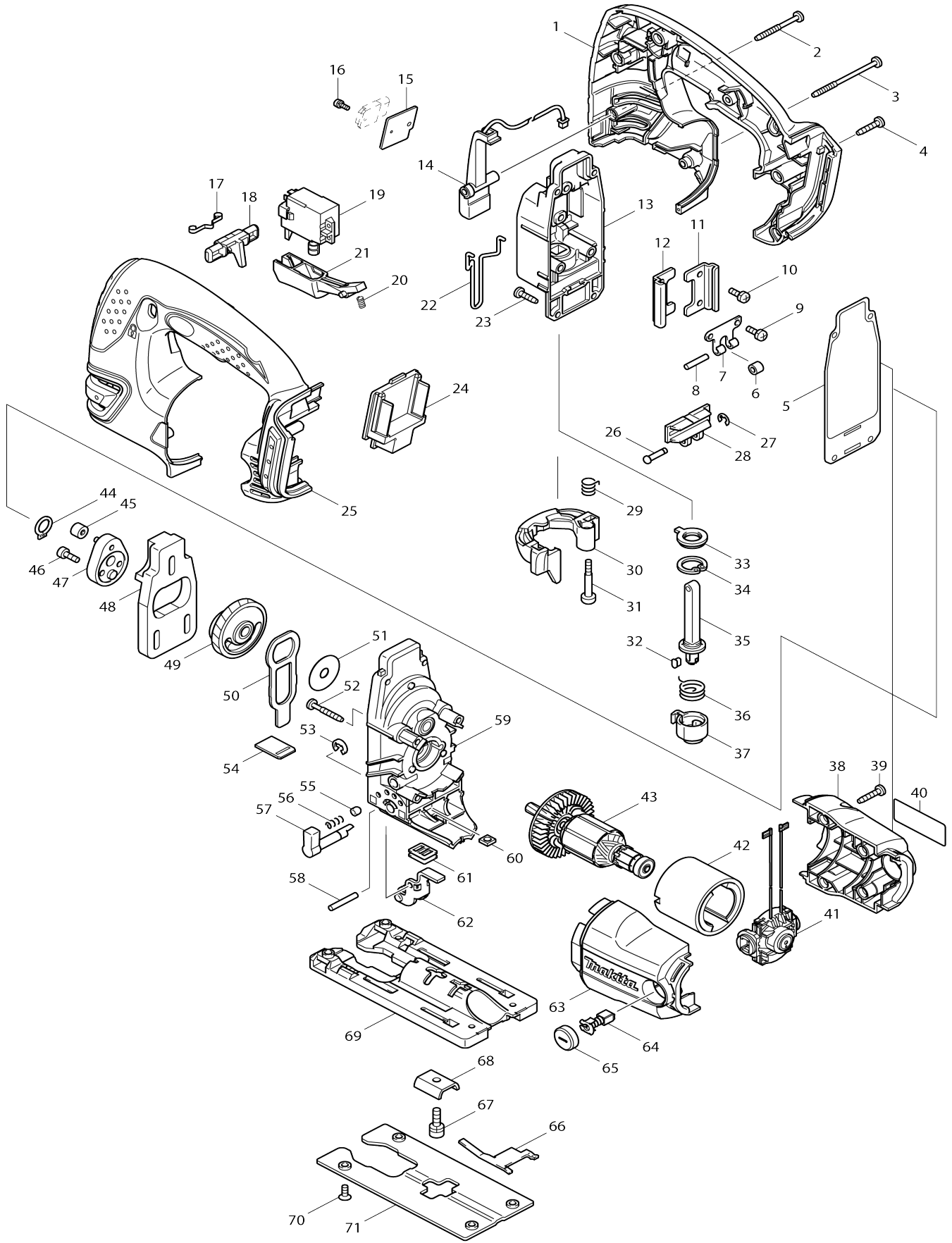


Model No. DJV180 CORDLESS JIG SAW



Model No.DJV180 CORDLESS JIG SAW

Item No.	Parts No.	Description	Interchangability	Q'ty	New/Old	Note1	Note2
001	187725-4	HANDLE SET		1			
D10		INC. 25					
002	266048-4	TAPPING SCREW 4X40		1			
003	266091-3	TAPPING SCREW 4X50		1			
004	265995-6	TAPPING SCREW 4X18		5			
005	442138-9	PACKING		1			
006	214031-5	PLANE BEARING 4		1			
007	232207-2	LEAF SPRING		1			
008	256117-9	PIN 4		1			
009	911111-5	PAN HEAD SCREW M4X10 WITH W		2			
010	911111-5	PAN HEAD SCREW M4X10 WITH W		2			
011	345240-6	LINEAR GUIDE		1			
012	345240-6	LINEAR GUIDE		1			
013	153338-3	GEAR HOUSING COVER COMPLETE		1			
C10	253313-0	THIN WASHER 14		1			
C20	257250-0	RING 20		1			
C30	421815-6	DUST SEAL 8		1			
014	631744-7	LIGHT CIRCUIT		1			
015	689070-8	HEAT SINK		1	*		
015-1	689262-9	HEAT SINK	O	1			
016	911006-2	PAN HEAD SCREW M3X8		1			
017	232152-1	LEAF SPRING		1			
018	419613-0	LOCK OFF BUTTON		1			
019	650650-7	SWITCH C3LA-2A-PLSRS		1	*		
019-1	650650-7	SWITCH C3LA-2A-PLSRS	O	1			
020	233118-4	COMPRESSION SPRING 4		1			
021	419754-2	SWITCH LEVER		1			
022	324233-6	SAFETY WIRE		1			
023	266034-5	TAPPING SCREW CT 4X16		4			
024	644808-8	TERMINAL		1			
025	187725-4	HANDLE SET		1			
D10		INC. 1					
026	268090-1	PIN 4		1			
027	961017-7	STOP RING E-3		1			
028	310134-4	SLIDER		1			
029	231659-4	TORSION SPRING 6		1			
030	419820-5	TOOL OPENER		1			
031	265026-1	+ PAN HEAD SCREW M4		1			
032	310135-2	PUSH PIN		1			
033	421817-2	DUST COVER		1			
034	962068-3	RETAINING RING R-18		1			
035	165326-8	ROD		1			
036	231660-9	TORSION SPRING 15		1			
037	310136-0	BLADE HOLDER		1			
038	188208-7	MOTOR HOUSING SET		1			

D10		INC. 63				
039	265995-6	TAPPING SCREW 4X18		4		
040	815K50-6	DJV180 NAME PLATE		1		
041	638504-8	ENDBELL COMPLETE		1		
042	638373-7	YOKE UNIT		1		
043	619206-5	ARMATURE		1		
044	961004-6	RETAINING RING (EXT) S-8		1		
045	212092-9	NEEDLE BEARING 407		1		
046	265353-6	HEX. SOCKET HEAD BOLT M4X12		2	*	
046-1	265D42-7	HEX. SOCKET HEAD BOLT M4X12	O	2		
047	153336-7	CRANK COMPLETE		1		
048	313108-4	BALANCE PLATE		1		
049	158168-7	GEAR COMPLETE		1		
050	345235-9	PUSH PLATE		1		
051	253877-4	FLAT WASHER 8		1		
052	266050-7	TAPPING SCREW 4X30		4		
053	961018-5	STOP RING E-5		1		
054	417839-8	SEAL PLATE		1		
055	286032-3	CAP 5		1		
056	233139-6	COMPRESSION SPRING 3		1		
057	272280-0	LEVER 17		1		
058	268063-4	PIN 4		1		
059	158169-5	GEAR HOUSING COMPLETE		1		
060	252171-1	SQUARE NUT M5-8		1		
061	421816-4	DUST SEAL		1		
062	153334-1	RETAINER COMPLETE		1		
063	188208-7	MOTOR HOUSING SET		1		
D10		INC. 38				
064	191971-3	CARBON BRUSH CB-430		1		
065	643807-7	BRUSH HOLDER CAP		2		
066	232208-0	LEAF SPRING		1		
067	922226-3	HEX. SOCKET HEAD BOLT M5X18		1		
068	345237-5	CRANK PLATE		1		
069	317565-8	BASE		1		
070	912107-9	COUNTERSUNK HEAD SCREW M4 X8		4		
071	345238-3	BASE PLATE		1		
A01	415524-7	ANTI-SPLINTERING DEVICE		1		
A02	417852-6	COVER PLATE		1		
A03	417853-4	DUST NOZZLE		1		
A04	A-85737	JIGSAW BLADE NO.B22		1	*	
A04-1	A-85737	JIGSAW BLADE NO.B22	S	1		
A05	A-85628	JIGSAW BLADE NO.B10		1	*	
A05-1	A-85628	JIGSAW BLADE NO.B10	S	1		
A06	A-85793	JIGSAW BLADE NO.BR13		1	*	
A06-1	A-85793	JIGSAW BLADE NO.BR13	S	1		
A07	783202-0	HEX. WRENCH 4		1		
A08	***DC18RC	DC18RC FAST CHARGER		1		
A09	194204-5	BATTERY BL1830 SET		1	*	
A09-1	194204-5	BATTERY BL1830 SET	O	1	*	
A09-2	197600-6	BATTERY BL1830B SET	<	1	*	
A09-3	197600-6	BATTERY BL1830B SET	O	1		

A10	141486-0	PLASTIC CARRYING CASE COMPL ETE		1		
C10	450909-0	LATCH		2		
A11	803H16-0	DJV180RF TOOL LABEL		1		
A16	B-06292	JIGSAW BLADE ASSORT		2	*	
E01	688131-1	LINE FILTER		1	*	
E01-1	688131-1	LINE FILTER	O	1		
F01	192516-0	GUIDE RAIL		1		
F02	192557-6	ANTI-SPLITTING DEVICE		1		
F03	194416-0	SHEET 10000 SET		1		
F04	193516-3	GUIDE RULE SET		1		
C10	165217-3	GUIDE RULE		1		
C20	271601-3	KNOB 20		1		
C30	323802-0	GUIDE PIN		1		
C40	922207-7	HEX. SOCKET HEAD BOLT M5X10		1		
F05-1	193517-1	GUIDE RAIL ADAPTER SET	O	1		
C10	265785-7	THUMB SCREW M5X10		1		
C20	347393-7	RULE BAR		1		
C30	417894-0	GUIDE RAIL ADAPTER		1		
F07	194367-7	GUIDE RAIL 3000 SET		1		
C10	413102-7	SEAT 3000		2		
C20	423360-7	POSITION SHEET 3000		1		
C30	423362-3	RUBBER SEAT 3000		2		
C40	819212-2	MAKITA LOGO LABEL		1		
F08	194368-5	GUIDE RAIL 1400 SET		1		
C10	413101-9	SEAT 1400		2		
C20	423359-2	POSITION SHEET 1400		1		
C30	423361-5	RUBBER SEAT 1400		2		
C40	819212-2	MAKITA LOGO LABEL		1		
F09	194925-9	GUIDE RAIL 1900 SET		1		
C10	423386-9	POSITION SHEET 1900		1		
C20	423390-8	RUBBER SHEET 1900		2		
C30	451330-6	SHEET 1900		2		
C40	819212-2	MAKITA LOGO LABEL		1		
F12-2	197252-3	GUIDE RAIL ADAPTER SET	O	1		
F13-2	196235-0	BATTERY BL1815N SET	O	1		
F14-1	196449-1	BATTERY BL1815N SET	O	1		
F15-2	196449-1	BATTERY BL1815N SET	O	1		
F17	199140-0	GUIDE RAIL 1000 SET		1		
F18	199141-8	GUIDE RAIL 1500 SET		1		
F19	194417-8	RUBBER SHEET 10000 SET		1		
F20	194418-6	POSITION SHEET 1400 SET		1		
A11	803H19-4	DJV180Z TOOL LABEL		1	*	
A11-1	816A37-1	DJV180Z CARTON LABEL	X	2	*	
A11	803H17-8	DJV180RFE TOOL LABEL		1		
A12	450128-8	BATTERY COVER		1		
A08	821550-0	CONNECTOR PLASTIC CASE (TYP E2)		1		
C10	453974-8	LATCH		4		
A09	837639-4	INNER TRAY		1		
A10	803H12-8	DJV180ZJ INDICATION LABEL		1		
A11	803H13-6	DJV180ZJ PLASTIC CASE LABEL		2		

A10	821550-0	CONNECTOR PLASTIC CASE (TYPE2)		1		
C10	453974-8	LATCH		4		
A11	837639-4	INNER TRAY		1		
A13	803H10-2	DJV180RFJ INDICATION LABEL		1		
A14	803H11-0	DJV180RFJ PLASTIC CASE LABEL		2		
A13	803H14-4	DJV180RF1J INDICATION LABEL		1		
A14	803H15-2	DJV180RF1J PLASTIC CASE LABEL		2		
A09	196399-0	BATTERY BL1840 SET		2	*	
A09-1	196399-0	BATTERY BL1840 SET	O	2	*	
A09-2	197265-4	BATTERY BL1840B SET	<	2	*	
A09-3	197265-4	BATTERY BL1840B SET	O	2		
A13	804M33-3	DJV180RMJ INDICATION LABEL		1		
A14	804M34-1	DJV180RMJ PLASTIC CASE LABEL		2		
A12	804V33-7	DJV180RM1J INDICATION LABEL		1		
A13	804V34-5	DJV180RM1J PLASTIC CASE LABEL		2		
A09-2	197280-8	BATTERY BL1850B SET		2	*	
A09-3	197280-8	BATTERY BL1850B SET	O	2		
A13	809N03-3	DJV180RTJ INDICATION LABEL		1		
A14	809N04-1	DJV180RTJ PLASTIC CASE LABEL		2		

Please state Parts No. when your order.

Print Date 12/04/2023