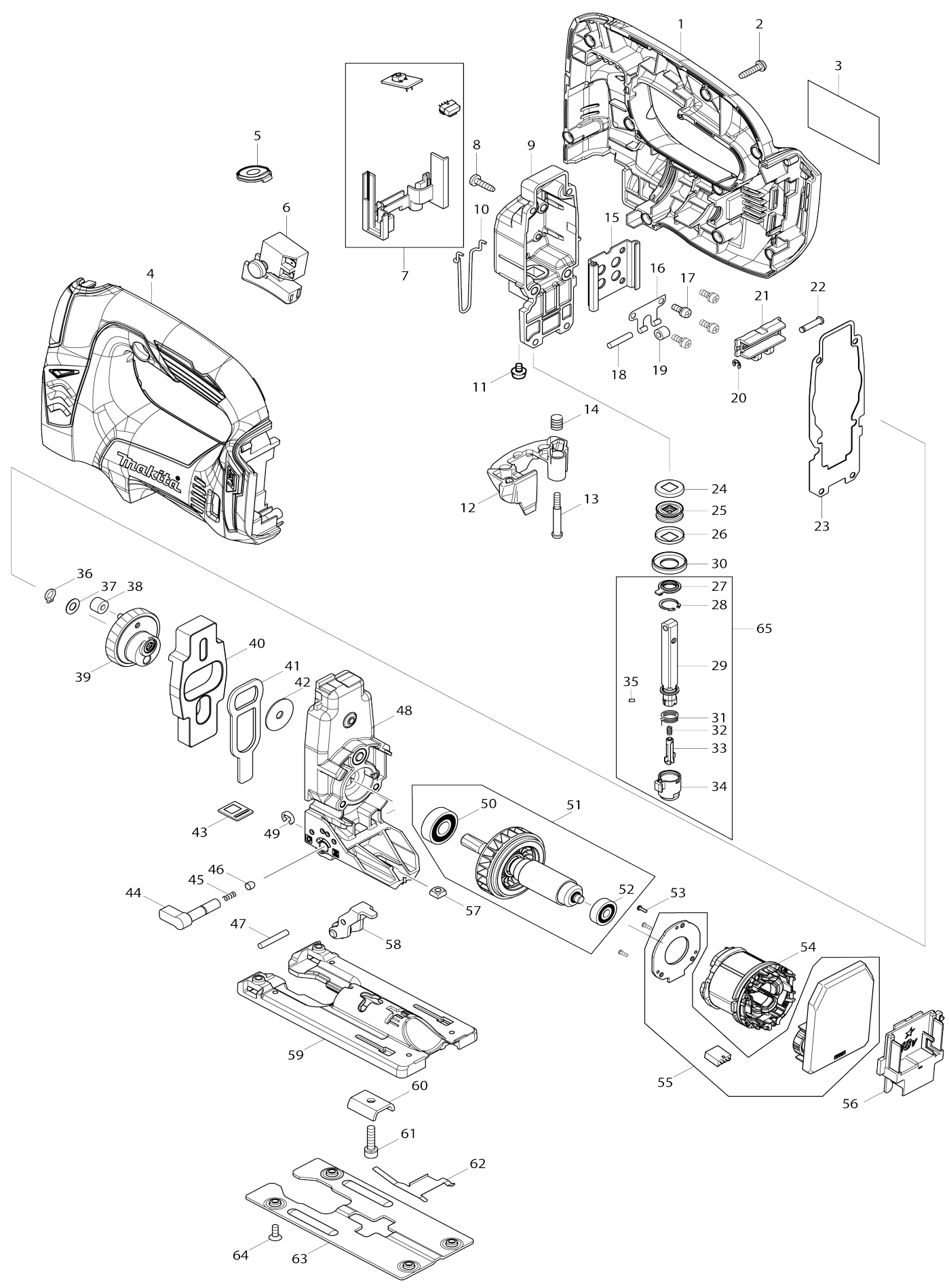


Model No. DJV182 CORDLESS JIG SAW



Model No.DJV182 CORDLESS JIG SAW

Item No.	Parts No.	Description	Interchangability	Q'ty	New/Old	Note1	Note2
001	187706-8	HOUSING SET		1			
C10	263005-3	RUBBER PIN 6		2			
D10		INC. 4					
002	265995-6	TAPPING SCREW 4X18		9			
003	814V65-6	DJV182 NAME PLATE		1			
004	187706-8	HOUSING SET		1			
C10	263005-3	RUBBER PIN 6		2			
D10		INC. 1					
005	142303-7	SWITCH PLATE COMPLETE		1			
006	650251-1	SWITCH SGEL106C-4		1			
007	632B56-3	SWITCH UNIT		1			
008	266034-5	TAPPING SCREW CT 4X16		4			
009	142112-4	GEAR HOUSING COVER COMPLETE		1			
010	326302-9	SAFETY WIRE		1			
011	911104-2	PAN HEAD SCREW M4X6		1			
012	454483-0	TOOL OPENER		1			
013	265026-1	+ PAN HEAD SCREW M4		1			
014	231659-4	TORSION SPRING 6		1			
015	346687-7	LINEAR GUIDE		1			
016	232207-2	LEAF SPRING		1			
017	911111-5	PAN HEAD SCREW M4X10 WITH W		4			
018	256117-9	PIN 4		1			
019	214031-5	PLANE BEARING 4		1			
020	961017-7	STOP RING E-3		1			
021	310548-7	SLIDER		1	*		
021-1	310837-0	SLIDER	<	1			
022	268090-1	PIN 4		1			
023	442195-7	GASKET		1			
024	267854-0	CAP WASHER 8		1			
025	421815-6	DUST SEAL 8		1			
026	267854-0	CAP WASHER 8		1			
027	424569-4	DUST COVER		1			
028	962063-3	RETAINING RING R-13		1			
029	165724-6	ROD		1			
030	257347-5	RING 21		1			
031	233591-8	TORSION SPRING 10		1			
032	233314-4	COMPRESSION SPRING 4		1			
033	310485-5	LOCK PIN		1			
034	310547-9	BLADE HOLDER		1			
035	256528-8	PIN 2		1			
036	961002-0	RETAINING RING S-6		1			
037	253715-0	FLAT WASHER 6		1			
038	212014-9	NEEDLE BEARING 407		1	*		
038-1	212092-9	NEEDLE BEARING 407	O	1			
039	142109-3	GEAR COMPLETE		1			
040	313260-8	BALANCE PLATE		1			

041	346688-5	PUSH PLATE		1		
042	253196-8	FLAT WASHER 6		1		
043	454484-8	SEAL PLATE		1		
044	272244-4	LEVER 17		1	*	
044-1	272280-0	LEVER 17	<	1		
045	233139-6	COMPRESSION SPRING 3		1		
046	286032-3	CAP 5		1		
047	268063-4	PIN 4		1		
048	142111-6	GEAR HOUSING COMPLETE		1		
049	961018-5	STOP RING E-5		1		
050	210059-1	BALL BEARING 6000DDW		1		
051	519329-8	ROTOR ASS'Y		1	*	
D10		INC. 50,52				
051-1	619821-5	ROTOR	O	1		
D10		INC. 50				
052	210022-4	BALL BEARING 626DDW		1	*	
053	266490-9	TAPPING SCREW PT 2X6		3	*	
053-1	265C47-1	TAPPING SCREW PT 2X6	O	3		
054	629998-8	STATOR		1		
055	620248-4	CONTROLLER		1	*	
055-1	620B24-8	CONTROLLER	<	1	*	
055-2	620B24-8	CONTROLLER	O	1		
056	643899-6	TERMINAL		1		
057	252171-1	SQUARE NUT M5-8		1		
058	142110-8	RETAINER COMPLETE		1		
059	319016-7	BASE		1		
060	345237-5	CRANK PLATE		1		
061	922231-0	HEX. SOCKET HEAD BOLT M5X20		1		
062	232208-0	LEAF SPRING		1		
063	346685-1	BASE PLATE		1		
064	265085-5	+ COUNTERSUNK HEAD SCREW M4X8		4		
065	135602-4	ROD ASS'Y		1		
D10		INC. 27-29,31-35				
A01	126331-0	DUST NOZZLE ASSEMBLY		1		
A02	415524-7	ANTI-SPLINTERING DEVICE		1		
A03	417852-6	COVER PLATE		1		
A04	A-85737	JIGSAW BLADE NO.B22		1		
A05	A-85628	JIGSAW BLADE NO.B10		1		
A06	A-85793	JIGSAW BLADE NO.BR13		1		
A07	783202-0	HEX. WRENCH 4		1		
F02	192516-0	GUIDE RAIL		1		
F03	192557-6	ANTI-SPLITTING DEVICE		1		
F04	193516-3	GUIDE RULE SET		1		
C10	165217-3	GUIDE RULE		1		
C20	271601-3	KNOB 20		1		
C30	323802-0	GUIDE PIN		1		
C40	922207-7	HEX. SOCKET HEAD BOLT M5X10		1		
F05-1	193517-1	GUIDE RAIL ADAPTER SET	O	1		
C11	265785-7	THUMB SCREW M5X10	<	1		
C20	347393-7	RULE BAR		1		
C30	417894-0	GUIDE RAIL ADAPTER		1		

F06	194367-7	GUIDE RAIL 3000 SET		1		
C10	413102-7	SEAT 3000		2		
C20	423360-7	POSITION SHEET 3000		1		
C30	423362-3	RUBBER SEAT 3000		2		
C40	819212-2	MAKITA LOGO LABEL		1		
F07	194368-5	GUIDE RAIL 1400 SET		1		
C10	413101-9	SEAT 1400		2		
C20	423359-2	POSITION SHEET 1400		1		
C30	423361-5	RUBBER SEAT 1400		2		
C40	819212-2	MAKITA LOGO LABEL		1		
F08	194925-9	GUIDE RAIL 1900 SET		1		
C10	423386-9	POSITION SHEET 1900		1		
C20	423390-8	RUBBER SHEET 1900		2		
C30	451330-6	SHEET 1900		2		
C40	819212-2	MAKITA LOGO LABEL		1		
F10-2	197252-3	GUIDE RAIL ADAPTER SET	O	1		
F18-3	197606-4	BATTERY BL1830B SET (2PIECES)	O	1		
F19-3	197600-6	BATTERY BL1830B SET	O	1		
F20-4	197599-5	BATTERY BL1830B SET	O	1		
F21-3	197267-0	BATTERY BL1840B SET	O	1		
F22-3	197265-4	BATTERY BL1840B SET	O	1		
F23-3	197273-5	BATTERY BL1840B SET(2PIECES)	O	1		
F27	199140-0	GUIDE RAIL 1000 SET		1		
F28	199141-8	GUIDE RAIL 1500 SET		1		
A08	821550-0	CONNECTOR PLASTIC CASE (TYP E2)		1		
C10	453974-8	LATCH		4		
A09	837639-4	INNER TRAY		1		
A10	802D99-3	DJV182RMJ PLASTIC CASE LABEL		2		
A11	***DC18RC	DC18RC FAST CHARGER		1		
A12	196399-0	BATTERY BL1840 SET		2	*	
A12-1	196399-0	BATTERY BL1840 SET	O	2	*	
A12-2	197265-4	BATTERY BL1840B SET	<	2	*	
A12-3	197265-4	BATTERY BL1840B SET	O	2		
A13	450128-8	BATTERY COVER		1		
A14	802D98-5	DJV182RMJ INDICATION LABEL		1		

Please state Parts No. when your order.

Print Date 24/10/2023