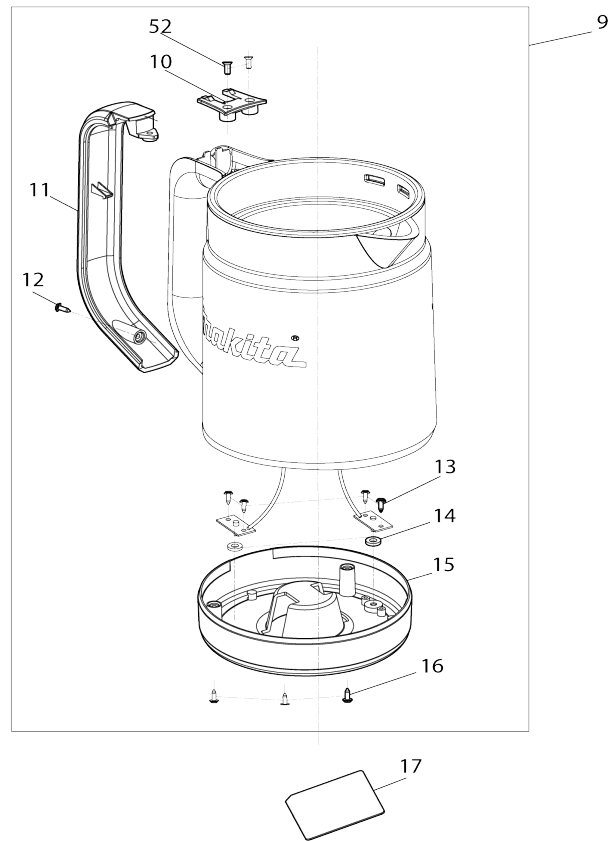
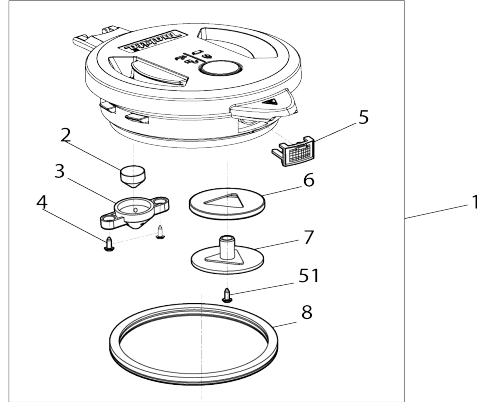
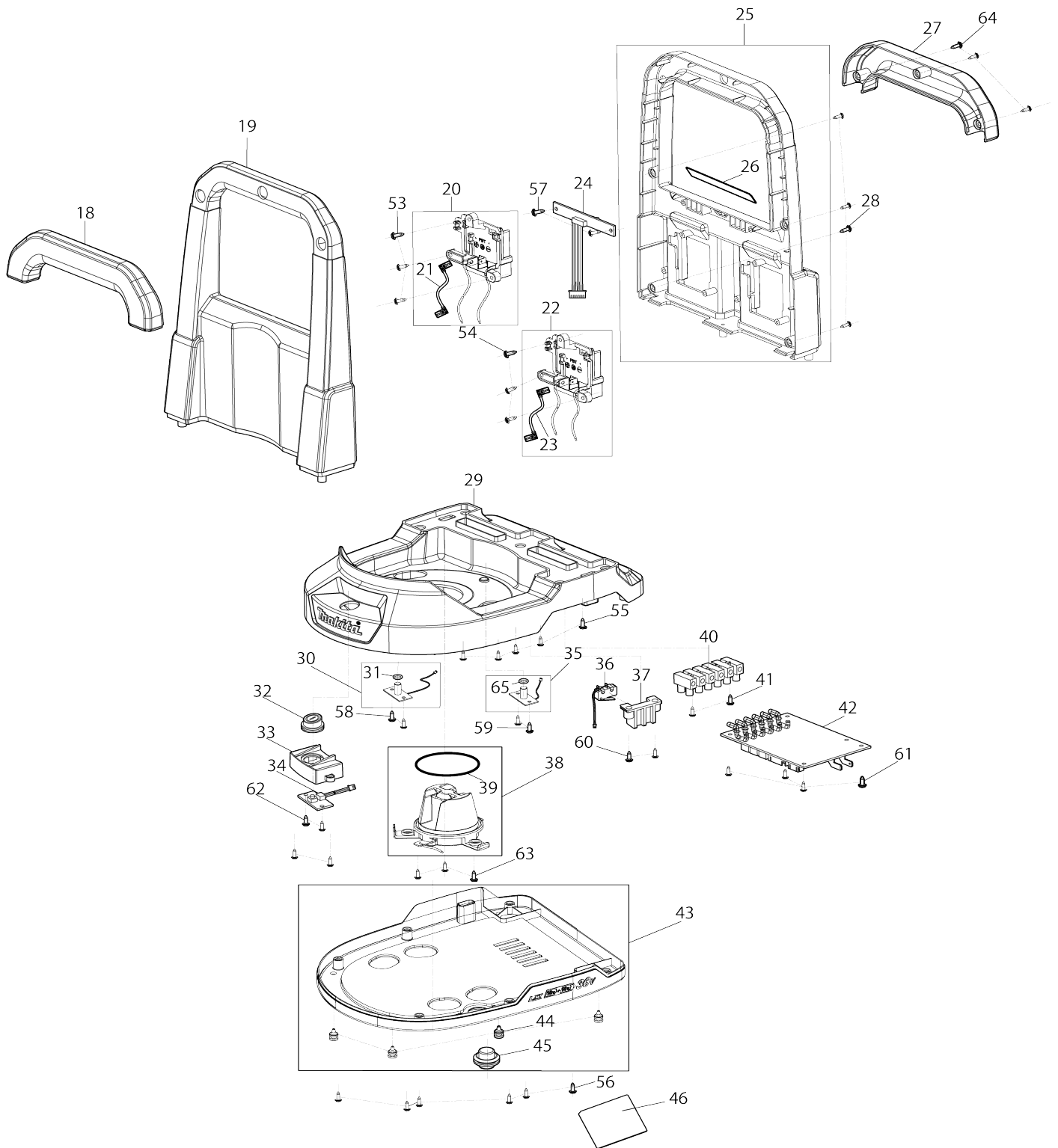


Model No.DKT360 CORDLESS KETTLE



Model No.DKT360 CORDLESS KETTLE



Model No.DKT360 CORDLESS KETTLE

Item No.	Parts No.	Description	Interchangability	Q'ty	New/Old	Note1	Note2
001	KF00000076	TOP COVER ASSEMBLY(BLUE)		1			
D10		INC. 2-8,51					
002	KF00000078	PLUG		1			
003	KF00000079	PLUG COVER		1			
004	KF00000080	COUNTERSUNK SCREW ST3X12		2			
005	KF00000081	FILTER NET		1			
006	KF00000082	SILICONE OF WATER STOPPER		1			
007	KF00000083	WATER STOPPER		1			
008	KF00000084	SEAL RING OF COVER		1			
009	KF00000085	KETTLE ASSEMBLY(BLUE)		1			
D10		INC. 10-16,52					
010	KF00000087	HANDLE CLIP		1			
011	KF00000088	HANDLE COVER		1			
012	KF00000002	TAPPING SCREW ST3X12		1			
013	KF00000089	TAPPING SCREW ST3X8		4			
014	KF00000090	SEAL RING		2			
015	KF00000091	BOTTOM COVER		1			
016	KF00000092	H.L. SOCKET HEAD SCREW T10		3			
017	KF00000096	KETTLE NAME PLATE		1			
018	KF00000103	HANDLE COVER L		1			
019	KF00000104	HANDLE BASE L(BLUE)		1			
020	KF00000106	UNIVERSAL BATTERY HOLDER A		1			
D10		INC. 21					
021	KF00000107	LEAD UNIT A		1			
022	KF00000108	UNIVERSAL BATTERY HOLDER B		1			
D10		INC. 23					
023	KF00000109	LEAD UNIT B		1			
024	KF00000110	BATTERY QUANTITY DISPLAY BOARD		1			
025	KF00000111	HANDLE BASE R ASSEMBLY(BLUE)		1			
D10		INC. 26					
026	KF00000113	BATTERY-QUANTITY FILM		1			
027	KF00000114	HANDLE COVER R		1			
028	KF00000115	SCREW ST3X10		4			
029	KF00000116	BASE(BLUE)		1			
030	KF00000118	NTC BOTTOM CONTACT PAD A ASSY		1			
D10		INC. 31					
031	KF00000119	SEAL RING		1			
032	KF00000120	BUTTON		1			
033	KF00000121	PCB SWITCH SUPPORT		1			
034	KF00000122	SWITCH BOARD		1			
035	KF00000123	NTC BOTTOM CONTACT PAD B ASSY		1			
D10		INC. 65					
036	KF00000124	MICRO-SWITCH ASSEMBLY		1			
037	KF00000125	MICRO-SWITCH SUPPORT		1			
038	KF00000126	COUPLER ASSEMBLY		1			

D10		INC. 39				
039	KF00000127	COUPLER BASE SEAL RING		1		
040	KF00000128	TERMINAL		1		
041	KF00000129	SCREW ST3X14		2		
042	KF00000130	MAIN PCB		1		
043	KF00000131	BASE COVER ASSEMBLY		1		
D10		INC. 44,45				
044	KF00000028	FOOT		4		
045	KF00000132	SILICONE BUTTON		1		
046	KF00000136	BASE NAMEPLATE		1		
051	KF00000080	COUNTERSUNK SCREW ST3X12		1		
052	KF00000080	COUNTERSUNK SCREW ST3X12		2		
053	KF00000002	TAPPING SCREW ST3X12		3		
054	KF00000002	TAPPING SCREW ST3X12		3		
055	KF00000002	TAPPING SCREW ST3X12		5		
056	KF00000002	TAPPING SCREW ST3X12		6		
057	KF00000089	TAPPING SCREW ST3X8		2		
058	KF00000089	TAPPING SCREW ST3X8		2		
059	KF00000089	TAPPING SCREW ST3X8		2		
060	KF00000089	TAPPING SCREW ST3X8		2		
061	KF00000089	TAPPING SCREW ST3X8		4		
062	KF00000089	TAPPING SCREW ST3X8		4		
063	KF00000089	TAPPING SCREW ST3X8		3		
064	KF00000115	SCREW ST3X10		3		
065	KF00000119	SEAL RING		1		

Please state Parts No. when your order.

Print Date 24/10/2023