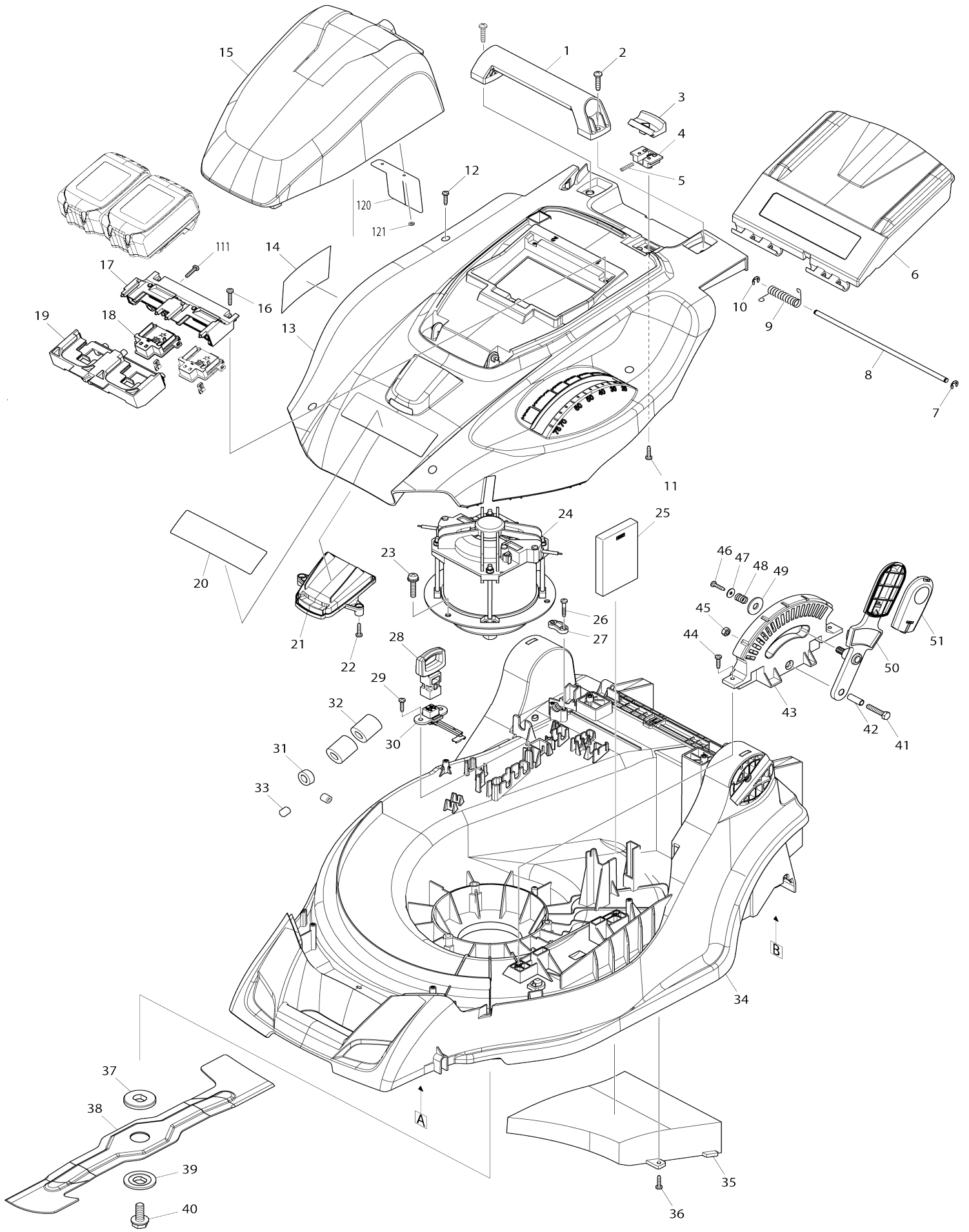
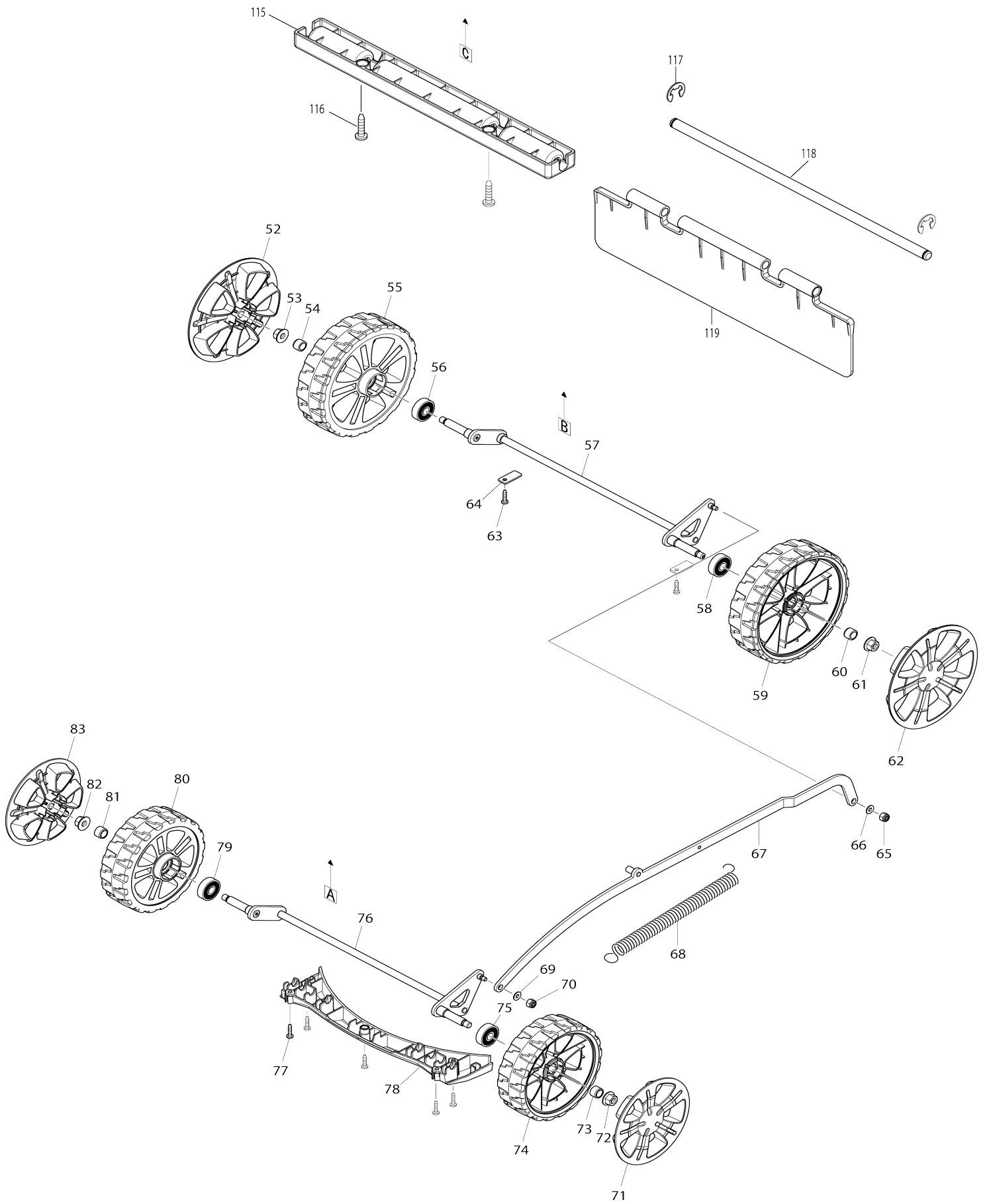


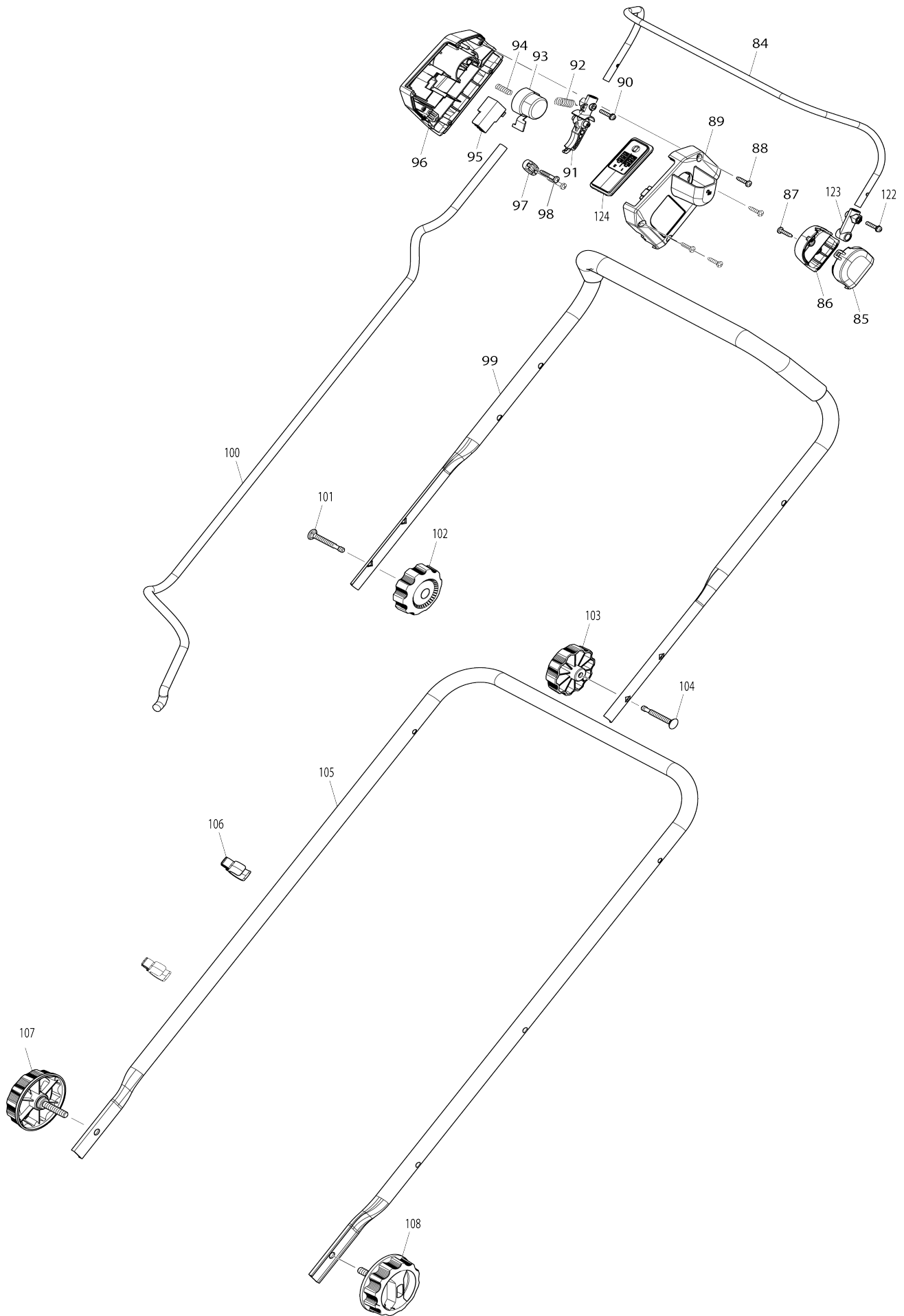
Model No.DLM431 430MM CORDLESS LAWN MOWER



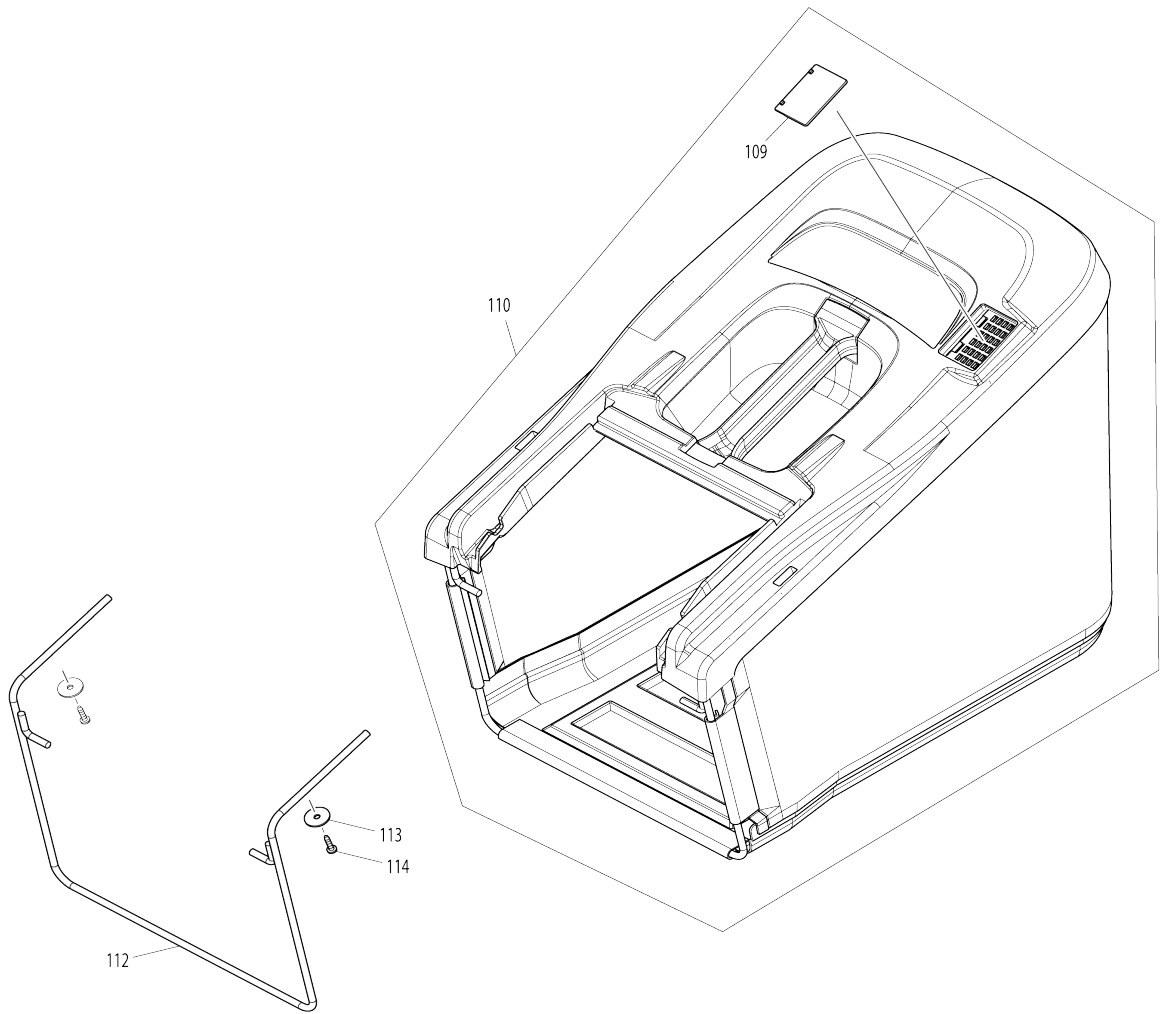
Model No.DLM431 430MM CORDLESS LAWN MOWER



Model No.DLM431 430MM CORDLESS LAWN MOWER



Model No.DLM431 430MM CORDLESS LAWN MOWER



Model No.DLM431 430MM CORDLESS LAWN MOWER

Item No.	Parts No.	Description	Interchangability	Q'ty	New/Old	Note1	Note2
001	273675-0	GRIP A		1			
002	266459-3	TAPPING SCREW 5X25		2			
003	453250-0	LOCK LEVER		1			
004	453251-8	LOCK LEVER SUPPORT		1			
005	233173-6	COMPRESSION SPRING 4		1			
006	141300-0	REAR FLAP COMPLETE		1	*		
C10	890375-3	CAUTION LABEL		1	*		
006-1	144076-8	REAR FLAP COMPLETE	<	1			
C10	890375-3	CAUTION LABEL		1			
007	961018-5	STOP RING E-5		1	*		
007-1	LC961018-5	STOP RING (EXT) E-5	O	1			
008	256871-5	ROD 6		1	*		
008-1	LC256871-5	ROD 6	O	1			
009	233597-6	TORSION SPRING 8		1	*		
009-1	LC233597-6	TORSION SPRING 8	O	1			
010	961018-5	STOP RING E-5		1	*		
010-1	LC961018-5	STOP RING (EXT) E-5	O	1			
011	266326-2	TAPPING SCREW 4X18		2			
012	266326-2	TAPPING SCREW 4X18		4			
013	456347-4	COWLING M		1	*		
013-1	456347-4	COWLING M	<	1			
014	851P60-9	DLM431 NAME PLATE		1			
015	143506-6	BATTERY COVER COMPLETE E		1			
C10	890380-0	CAUTION LABEL		1			
D10		INC. 120,121					
016	266326-2	TAPPING SCREW 4X18		3			
017	187926-4	TERMINAL HOUSING SET		1			
C10	263005-3	RUBBER PIN 6		4			
D10		INC. 19					
018	644808-8	TERMINAL		2			
019	187926-4	TERMINAL HOUSING SET		1			
C10	263005-3	RUBBER PIN 6		4			
D10		INC. 17					
020	890383-4	MAKITA LOGO LABEL		1			
021	453258-4	COWLING COVER		1	*		
021-1	LC453258-4	COWLING COVER		1			
022	266326-2	TAPPING SCREW 4X18		2	*		
023	266774-5	+ PAN HEAD SCREW M6X30 WITH WR		3	*		
023-1	265672-0	+ PAN HEAD SCREW M6X35 WITH WR	S	3			
024	629177-8	DC MOTOR		1	*		
024-1	629434-4	DC MOTOR	S	1			
025	620479-5	CONTROLLER		1			
026	265999-8	TAPPING SCREW 4X25		2			
027	687149-9	STRAIN RELIEF		1			
028	643890-4	KEY		1			
029	266326-2	TAPPING SCREW 4X18		2			

030	632F82-6	LEAD UNIT		1			
031	688131-1	LINE FILTER		1	*		
031-1	688131-1	LINE FILTER	O	1			
032	688140-0	LINE FILTER		2			
033	688164-6	LINE FILTER		2			
034	456346-6	DECK		1	*		
034-1	459533-6	DECK	<	1			
035	453239-8	UNDER COVER		1			
036	266326-2	TAPPING SCREW 4X18		3			
037	224444-2	INNER FLANGE 40		1			
038	196060-9	BLADE 430 SET		1	*		
038-1	197762-0	BLADE 430 SET	<	1	*		
038-2	197761-2	BLADE 430 SET	O	1			
039	224445-0	OUTER FLANGE 40		1			
040	266731-3	HEX. BOLT M10X25		1			
041	921352-5	HEX. BOLT M6X30		1	*		
041-1	LC921352-5	HEX.BOLT M6X30	O	1			
042	257670-8	SLEEVE 6		1	*		
042-1	LC257670A8	SLEEVE 6	O	1			
043	453255-0	ADJUST PLATE		1			
044	266326-2	TAPPING SCREW 4X18		2			
045	931302-2	HEX. NUT M6		1			
046	266326-2	TAPPING SCREW 4X18		1			
047	267102-7	FLAT WASHER 4		1	*		
047-1	LC267102A7	FLAT WASHER 4	O	1			
048	231297-2	COMPRESSION SPRING 9		1	*		
048-1	LC231297-2	COMPRESSION SPRING 9	O	1			
049	253808-3	FLAT WASHER 9		1	*		
049-1	LC253808A3	FLAT WASHER 9	O	1			
050	453252-6	CHANGE LEVER		1	*		
050-1	459099-6	CHANGE LEVER	S	1			
051	453253-4	CHANGE LEVER COVER		1	*		
052	453241-1	REAR WHEEL CAP		1	*		
053	252145-2	COLLARED HEX NUT M8		1	*		
053-1	LC252145-2	COLLARED HEX. NUT M8	O	1			
054	214067-4	PLANE BEARING 10		1	*		
055	453243-7	REAR WHEEL		1	*		
055-1	459101-5	REAR WHEEL	S	1			
056	210070-3	BALL BEARING 6200ZZ		1	*		
056-1	LC210070-3	BALL BEARING 6200ZZ	O	1			
057	165669-8	REAR SHAFT		1			
058	210070-3	BALL BEARING 6200ZZ		1	*		
058-1	LC210070-3	BALL BEARING 6200ZZ	O	1			
059	453243-7	REAR WHEEL		1	*		
059-1	459101-5	REAR WHEEL	S	1			
060	214067-4	PLANE BEARING 10		1	*		
061	252145-2	COLLARED HEX NUT M8		1	*		
061-1	LC252145-2	COLLARED HEX. NUT M8	O	1			
062	453241-1	REAR WHEEL CAP		1	*		
063	266326-2	TAPPING SCREW 4X18		2			
064	346545-7	PLATE		2	*		
064-1	LC346545-7	PLATE	O	2			

065	252103-8	HEX. LOCK NUT M5-8		1		
066	941101-4	FLAT WASHER 5		1	*	
066-1	LC941101-4	FLAT WASHER 5	O	1		
067	346543-1	CONNECTING ROD		1		
068	231875-8	TENSION SPRING 16		1	*	
068-1	LC231875-8	TENSION SPRING 16	O	1		
069	941101-4	FLAT WASHER 5		1	*	
069-1	LC941101-4	FLAT WASHER 5	O	1		
070	252103-8	HEX. LOCK NUT M5-8		1		
071	453240-3	FRONT WHEEL CAP		1	*	
072	252145-2	COLLARED HEX NUT M8		1	*	
072-1	LC252145-2	COLLARED HEX. NUT M8	O	1		
073	214067-4	PLANE BEARING 10		1	*	
074	453242-9	FRONT WHEEL		1	*	
074-1	459100-7	FRONT WHEEL	S	1		
075	210070-3	BALL BEARING 6200ZZ		1	*	
075-1	LC210070-3	BALL BEARING 6200ZZ	O	1		
076	165668-0	FRONT SHAFT		1		
077	266326-2	TAPPING SCREW 4X18		5		
078	456353-9	FRONT COVER		1		
079	210070-3	BALL BEARING 6200ZZ		1	*	
079-1	LC210070-3	BALL BEARING 6200ZZ	O	1		
080	453242-9	FRONT WHEEL		1	*	
080-1	459100-7	FRONT WHEEL	S	1		
081	214067-4	PLANE BEARING 10		1	*	
082	252145-2	COLLARED HEX NUT M8		1	*	
082-1	LC252145-2	COLLARED HEX. NUT M8	O	1		
083	453240-3	FRONT WHEEL CAP		1	*	
084	326636-0	SWITCH LEVER		1		
085	456351-3	SWITCH LEVER CASE		1		
086	456352-1	SWITCH LEVER CASE COVER		1		
087	266326-2	TAPPING SCREW 4X18		1		
088	266326-2	TAPPING SCREW 4X18		4		
089	143508-2	SWITCH BOX COVER COMPLETE K		1		
C10	890374-5	INDICATION LABEL		1		
090	911138-5	P.H.SCREW M4X20 WITH WR		1		
091	455075-8	LEVER		1		
092	231876-6	TENSION SPRING 9		1		
093	455074-0	SWITCH BUTTON		1		
094	233068-3	COMPRESSION SPRING 6		1		
095	650730-9	SWITCH TG72BD-6		1		
096	456349-0	SWITCH BOX		1		
097	687149-9	STRAIN RELIEF		1		
098	265999-8	TAPPING SCREW 4X25		2		
099	143510-5	UPPER PIPE COMPLETE		1		
100	660330-7	POWER SUPPLY CORD		1		
101	265A14-4	CUP H. SQUARE NECK BOLT M6X 50		1		
102	264070-5	THUMB NUT M6		1		
103	264070-5	THUMB NUT M6		1		
104	265A14-4	CUP H. SQUARE NECK BOLT M6X		1		

		50				
105	326635-2	LOWER PIPE		1		
106	456354-7	HOLDER		2		
107	266729-0	THUMB SCREW M8X35		1		
108	266729-0	THUMB SCREW M8X35		1		
109	456355-5	INDICATOR M		1		
110	123524-0	REAR BAG ASS'Y M		1	*	
D10		INC. 109				
110-1	123794-1	REAR BAG ASSEMBLY M	<	1	*	
D10		INC. 109				
110-2	127276-5	REAR BAG ASSEMBLY M	S	1		
D10		INC. 109				
111	266326-2	TAPPING SCREW 4X18		3		
112	326118-2	REAR BAG ROD		1	*	
112-1	327179-5	REAR BAG ROD	S	1		
113	267438-4	FLAT WASHER 5		2		
114	266326-2	TAPPING SCREW 4X18		2		
120	424824-4	RUBBER SHEET		1		
121	259015-6	STOP RING CS-3		2		
122	911138-5	P.H.SCREW M4X20 WITH WR		1		
123	455078-2	ARM		1		
124	143505-8	LED CIRCUIT COMPLETE		1		
A01	782210-8	SOCKET WRENCH 17		1		
A02	***DC18RD	DC18RD TWO PORT FAST CHARGER		1		
D10		COMPO-PARTS				
A03	197280-8	BATTERY BL1850B SET		2	*	
A03-1	197280-8	BATTERY BL1850B SET	O	2		
A02	***DC18SH	DC18SH TWO PORT CHARGER		1		

Please state Parts No. when your order.

Print Date 12/05/2023