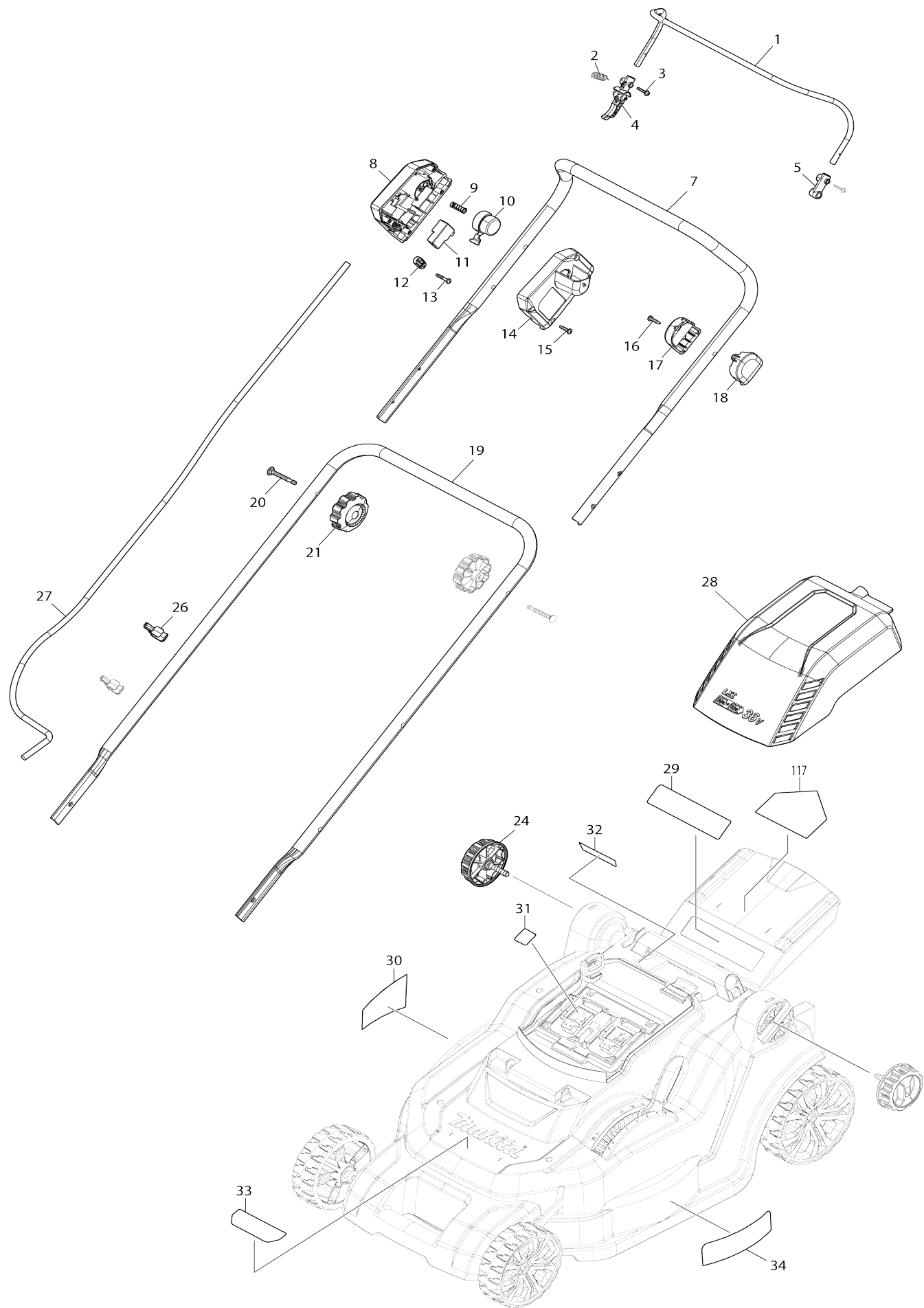
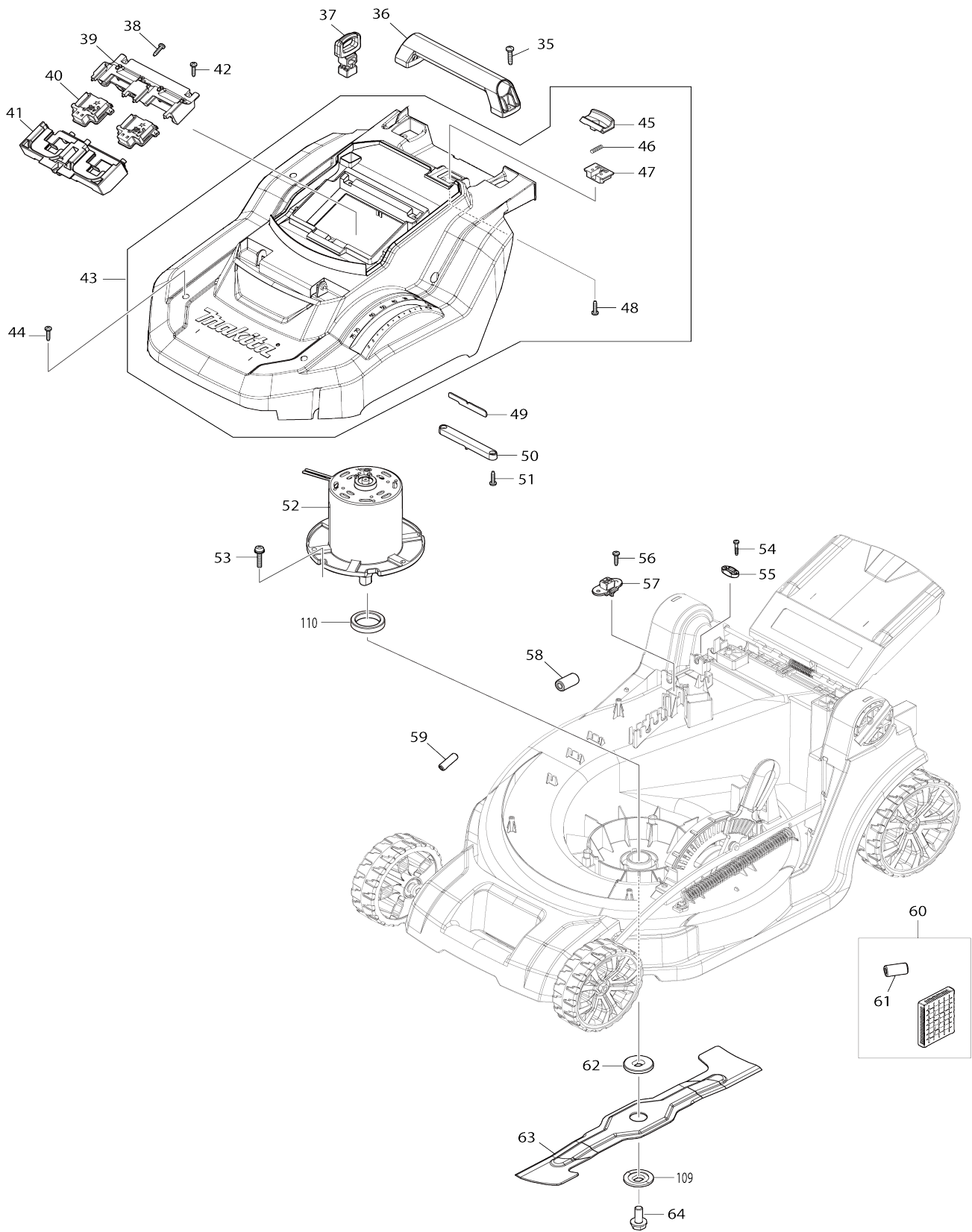


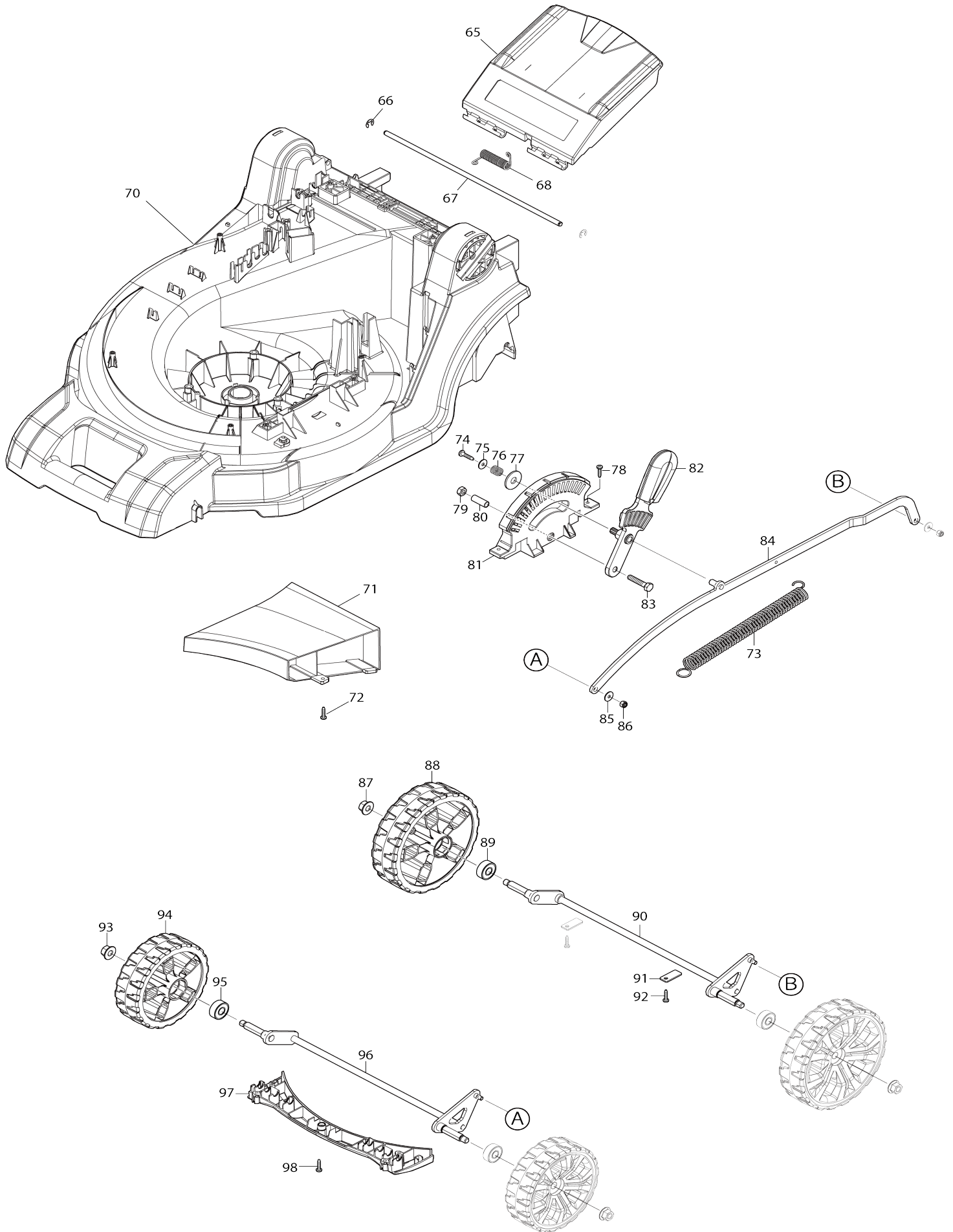
Model No.DLM432 430MM CORDLESS LAWN MOWER



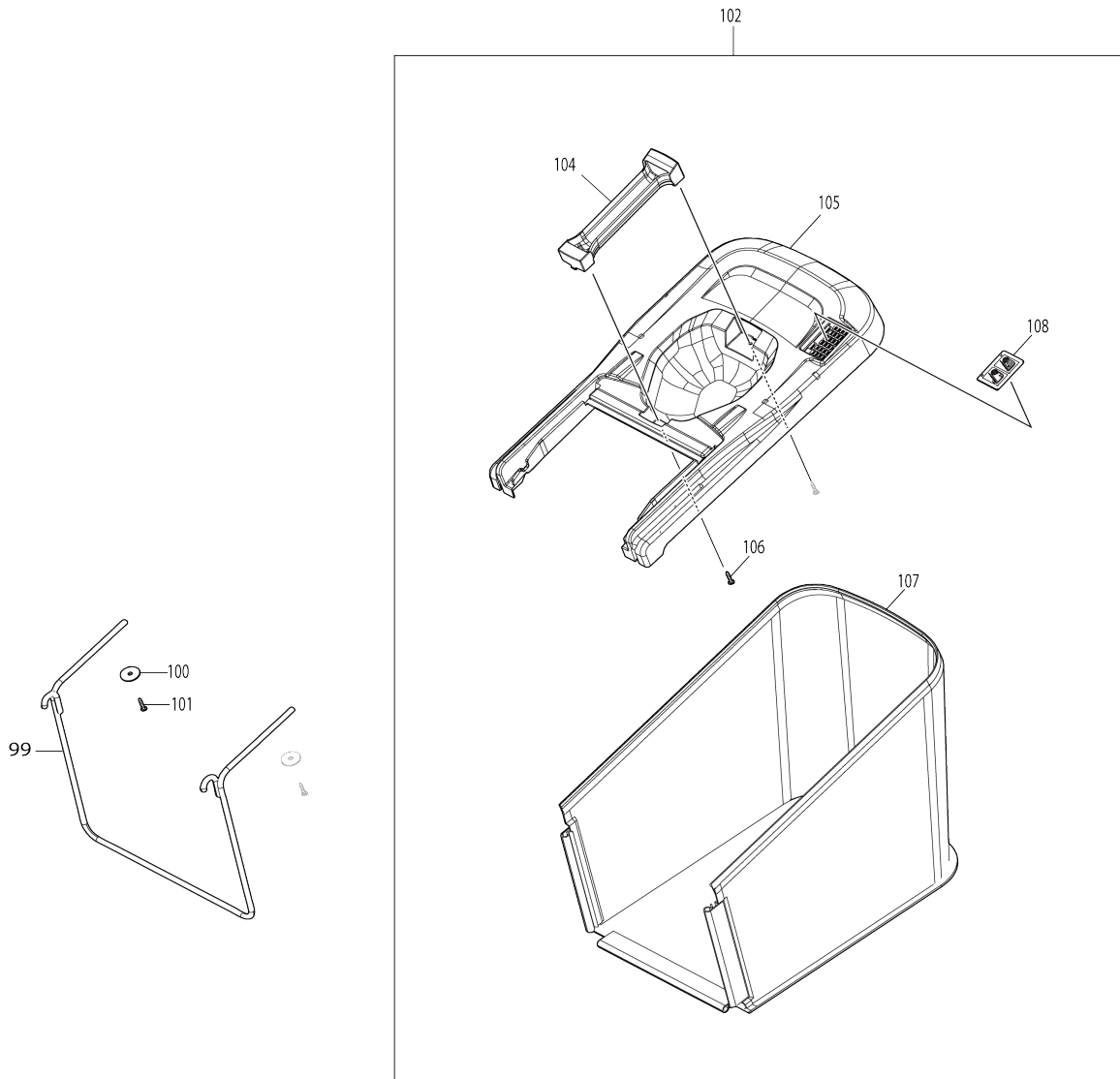
Model No.DLM432 430MM CORDLESS LAWN MOWER



Model No.DLM432 430MM CORDLESS LAWN MOWER



Model No.DLM432 430MM CORDLESS LAWN MOWER



Model No.DLM432 430MM CORDLESS LAWN MOWER

Item No.	Parts No.	Description	Interchangeability	Q'ty	New/Old	Note1	Note2
001	326636-0	SWITCH LEVER		1			
002	231876-6	TENSION SPRING 9		1			
003	911138-5	P.H.SCREW M4X20 WITH WR		2			
004	455075-8	LEVER		1			
005	455078-2	ARM		1			
007	143510-5	UPPER PIPE COMPLETE		1			
008	459804-1	SWITCH BOX		1			
009	233068-3	COMPRESSION SPRING 6		1			
010	455074-0	SWITCH BUTTON		1			
011	650730-9	SWITCH TG72BD-6		1			
012	687124-5	STRAIN RELIEF		1			
013	265999-8	TAPPING SCREW 4X25		2	*		
013-1	265B73-4	TAPPING SCREW 4X25	O	2			
014	140N15-0	SWITCH BOX COVER COMPLETE K		1			
C10	890374-5	INDICATION LABEL		1			
015	266326-2	TAPPING SCREW 4X18		4	*		
015-1	265B67-9	TAPPING SCREW 4X18	O	4			
016	266326-2	TAPPING SCREW 4X18		1	*		
016-1	265B67-9	TAPPING SCREW 4X18	O	1			
017	456352-1	SWITCH LEVER CASE COVER		1			
018	456351-3	SWITCH LEVER CASE		1			
019	326635-2	LOWER PIPE		1			
020	265A14-4	CUP H. SQUARE NECK BOLT M6X50		2			
021	264070-5	THUMB NUT M6		2			
024	266729-0	THUMB SCREW M8X35		2			
026	459809-1	HOLDER		2			
027	660393-3	POWER SUPPLY CORD		1	*		
027-1	660396-7	POWER SUPPLY CORD	O	1	*		
027-2	660393-3	POWER SUPPLY CORD	O	1			
028	140N21-5	BATTERY COVER COMPLETE E		1	*		
C10	8005W1-7	CAUTION LABEL		1	*		
028-1	1410K1-7	BATTERY COVER COMPLETE E	O	1			
C10	8075Y8-8	CAUTION LABEL		1			
029	890375-3	CAUTION LABEL		1	*		
029-1	8075Y7-0	CAUTION LABEL	O	1			
030	856L50-3	DLM432 NAME PLATE		1			
031	856L57-9	DLM432 SERIAL NO. LABEL		1			
032	8005W9-1	INDICATION LABEL		1			
033	8005W4-1	INDICATION LABEL		1			
034	8005W5-9	INDICATION LABEL		1			
035	266459-3	TAPPING SCREW 5X25		2	*		
035-1	265D56-6	TAPPING SCREW 5X25	O	2			
036	273675-0	GRIP A		1			
037	643890-4	KEY		1			
038	266326-2	TAPPING SCREW 4X18		3	*		
038-1	265B67-9	TAPPING SCREW 4X18	O	3			

039	183N35-1	TERMINAL HOUSING SET		1			
C10	263005-3	RUBBER PIN 6		4			
D10		INC. 41					
040	644809-6	TERMINAL		2			
041	183N35-1	TERMINAL HOUSING SET		1			
C10	263005-3	RUBBER PIN 6		4			
D10		INC. 39					
042	266326-2	TAPPING SCREW 4X18		3	*		
042-1	265B67-9	TAPPING SCREW 4X18	O	3			
043	127387-6	COWLING M ASSEMBLY		1			
D10		INC. 45-48					
044	266326-2	TAPPING SCREW 4X18		4	*		
044-1	265B67-9	TAPPING SCREW 4X18	O	4			
045	453250-0	LOCK LEVER		1			
046	233173-6	COMPRESSION SPRING 4		1	*		
046-1	LC233173-6	COMPRESSION SPRING 4	O	1	*		
046-2	233173-6	COMPRESSION SPRING 4	O	1			
047	453251-8	LOCK LEVER SUPPORT		1			
048	266326-2	TAPPING SCREW 4X18		2	*		
048-1	265B67-9	TAPPING SCREW 4X18	O	2			
049	620B91-3	LED CIRCUIT		1			
050	455070-8	LED COVER		1			
051	266326-2	TAPPING SCREW 4X18		2	*		
051-1	265B67-9	TAPPING SCREW 4X18	O	2			
052	629A18-4	DC MOTOR		1	*		
052-1	629A18-4	DC MOTOR	O	1	*		
052-2	629C53-4	DC MOTOR	<	1			
053	266774-5	+ PAN HEAD SCREW M6X30 WITH WR		3	*		
053-1	266774-5	+ PAN HEAD SCREW M6X30 WITH WR	O	3	*		
053-2	265D69-7	+PAN HEAD SCREW M6X30 WITH WRM	O	3			
054	265999-8	TAPPING SCREW 4X25		2	*		
054-1	265B73-4	TAPPING SCREW 4X25	O	2			
055	687124-5	STRAIN RELIEF		1			
056	266326-2	TAPPING SCREW 4X18		2	*		
056-1	265B67-9	TAPPING SCREW 4X18	O	2			
057	638946-6	LEAD UNIT		1			
058	688162-0	LINE FILTER		1			
059	688165-4	LINE FILTER		2			
060	632P19-3	CONTROLLER UNIT		1	*		
C10	654208-4	RECEPTACLE		1	*		
D10		INC. 61					
060-1	632U26-6	CONTROLLER UNIT	<	1			
C10	654199-9	RECEPTACLE		1			
D10		INC. 61					
061	688162-0	LINE FILTER		1			
062	224444-2	INNER FLANGE 40		1			
063	191D43-8	BLADE 430 SET		1			
064	266731-3	HEX. BOLT M10X25		1			
065	140S15-0	REAR FLAP COMPLETE		1	*		

D10		INC. 29				
065-1	1410K0-9	REAR FLAP COMPLETE	O	1		
D10		INC. 29				
066	LC961018-5	STOP RING (EXT) E-5		2	*	
066-1	961018-5	STOP RING E-5	O	2		
067	259067-7	ROD 6		1		
068	LC233597-6	TORSION SPRING 8		1	*	
068-1	233597-6	TORSION SPRING 8	O	1		
070	459780-9	DECK		1	*	
C10	346544-9	PLATE NUT M8		2	*	
C20	931302-2	HEX. NUT M6		3	*	
070-1	459780-9	DECK	O	1		
C10	346544-9	PLATE NUT M8		2		
C20	931302-2	HEX. NUT M6		3		
071	412272-9	UNDER COVER		1		
072	266326-2	TAPPING SCREW 4X18		3	*	
072-1	265B67-9	TAPPING SCREW 4X18	O	3		
073	LC231875-8	TENSION SPRING 16		1	*	
073-1	231875-8	TENSION SPRING 16	O	1		
074	266326-2	TAPPING SCREW 4X18		1	*	
074-1	265B67-9	TAPPING SCREW 4X18	O	1		
075	LC267102A7	FLAT WASHER 4		1	*	
075-1	267102-7	FLAT WASHER 4	O	1	*	
075-2	253607-3	FLAT WASHER 4	O	1		
076	LC231297-2	COMPRESSION SPRING 9		1	*	
076-1	231297-2	COMPRESSION SPRING 9	O	1		
077	LC253808A3	FLAT WASHER 9		1	*	
077-1	253808-3	FLAT WASHER 9	O	1		
078	266326-2	TAPPING SCREW 4X18		2	*	
078-1	265B67-9	TAPPING SCREW 4X18	O	2		
079	931302-2	HEX. NUT M6		1		
080	LC257670A8	SLEEVE 6		1	*	
080-1	257670-8	SLEEVE 6	O	1		
081	453255-0	ADJUST PLATE		1		
082	459099-6	CHANGE LEVER		1		
083	LC921352-5	HEX.BOLT M6X30		1	*	
083-1	921352-5	HEX. BOLT M6X30	O	1		
084	346543-1	CONNECTING ROD		1		
085	LC941101-4	FLAT WASHER 5		2	*	
085-1	941101-4	FLAT WASHER 5	O	2		
086	252103-8	HEX. LOCK NUT M5-8		2		
087	LC252145-2	COLLARED HEX. NUT M8		2	*	
087-1	252145-2	COLLARED HEX NUT M8	O	2		
088	459101-5	REAR WHEEL		2		
089	LC210070-3	BALL BEARING 6200ZZ		2	*	
089-1	210070-3	BALL BEARING 6200ZZ	O	2	*	
089-2	210303-6	BALL BEARING 6200ZZ	O	2		
090	165669-8	REAR SHAFT		1	*	
090-1	162C97-6	REAR SHAFT	<	1		
091	LC346545-7	PLATE		2	*	
091-1	346545-7	PLATE	O	2		
092	266326-2	TAPPING SCREW 4X18		2	*	

092-1	265B67-9	TAPPING SCREW 4X18	O	2			
093	LC252145-2	COLLARED HEX. NUT M8		2	*		
093-1	252145-2	COLLARED HEX NUT M8	O	2			
094	459100-7	FRONT WHEEL		2			
095	LC210070-3	BALL BEARING 6200ZZ		2	*		
095-1	210070-3	BALL BEARING 6200ZZ	O	2	*		
095-2	210303-6	BALL BEARING 6200ZZ	O	2			
096	165668-0	FRONT SHAFT		1	*		
096-1	162C68-3	FRONT SHAFT	O	1			
097	456353-9	FRONT COVER		1			
098	266326-2	TAPPING SCREW 4X18		5	*		
098-1	265B67-9	TAPPING SCREW 4X18	O	5			
099	327409-4	REAR BAG ROD		1			
100	267438-4	FLAT WASHER 5		2			
101	266326-2	TAPPING SCREW 4X18		2	*		
101-1	265B67-9	TAPPING SCREW 4X18	O	2			
102	127386-8	REAR BAG ASSEMBLY M		1			
D10		INC. 104-108					
104	273676-8	GRIP B		1			
105	459807-5	REAR BAG COVER		1			
106	266326-2	TAPPING SCREW 4X18		2	*		
106-1	265B67-9	TAPPING SCREW 4X18	O	2	*		
106-2	266326-2	TAPPING SCREW 4X18	O	2			
107	162680-1	REAR BAG		1			
108	459806-7	INDICATOR M		1			
109	224445-0	OUTER FLANGE 40		1			
110	688238-3	LINE FILTER		1			
A01	782210-8	SOCKET WRENCH 17		1			
A04	191D46-2	MULCHING PLUG SET		1			
E01	817C33-4	SOUND 92DB LABEL		1	*		
E01-1	819V88-9	SOUND 95DB LABEL	<	1			
A02	***DC18RD	DC18RD TWO PORT FAST CHARGER		1			
D10		COMPO-PARTS					
A03	197280-8	BATTERY BL1850B SET		2			
A02	***DC18SH	DC18SH TWO PORT CHAGER		1			

Please state Parts No. when your order.

Print Date 03/14/2024